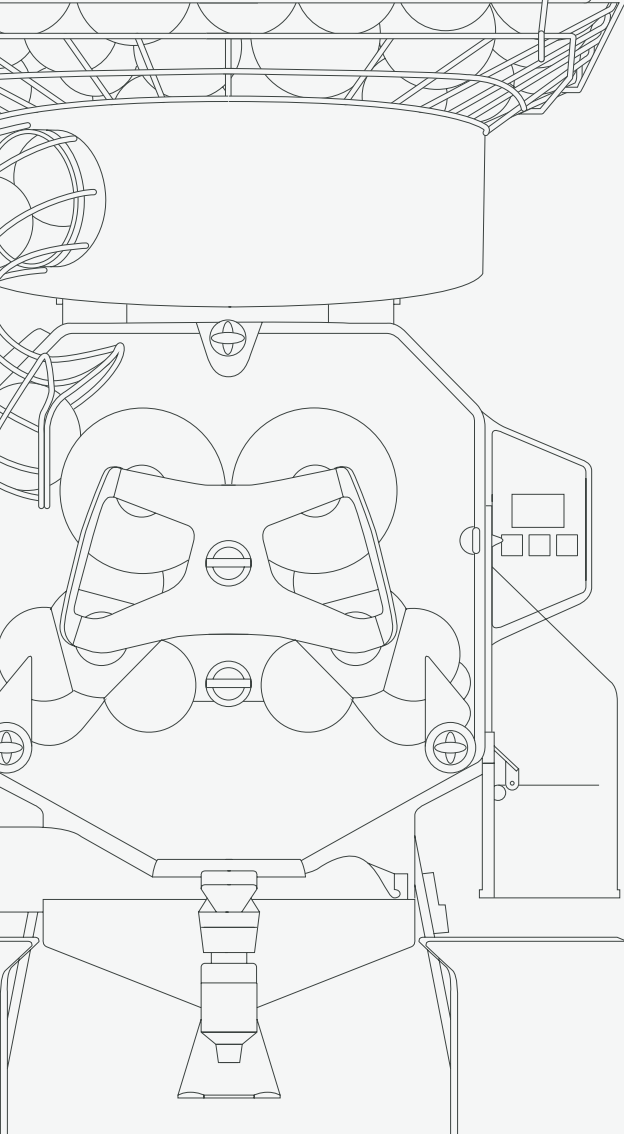


Speed Pro

DESIGNED FOR EFFICIENCY





NEW

Speed Pro⁺PLUS

ENGLISH. USER'S MANUAL	32
ESPAÑOL. MANUAL DE USUARIO	68
FRANÇAIS. MANUEL DE L'UTILISATEUR	104
DEUTSCH. BEDIENUNGSANLEITUNG	140
ITALIANO. MANUALE D'USO	176

Speed **Pro**

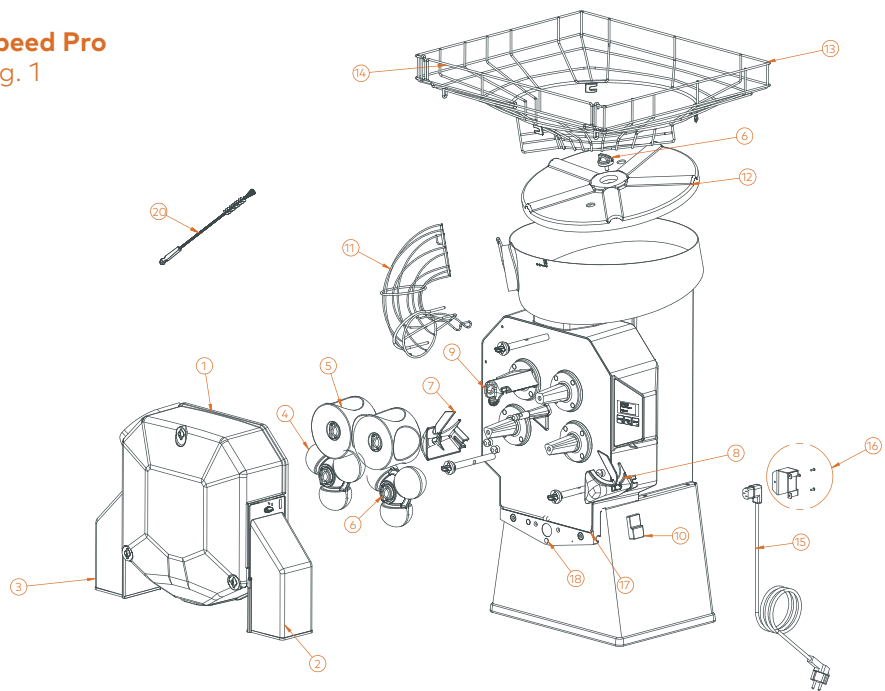
NEW Speed **Pro**^{PLUS}

ANNEX

Drawing and description
Figuras y descripción general
Figures et vue d'ensemble
Abbildung und Beschreibung
Figure e descrizione generale

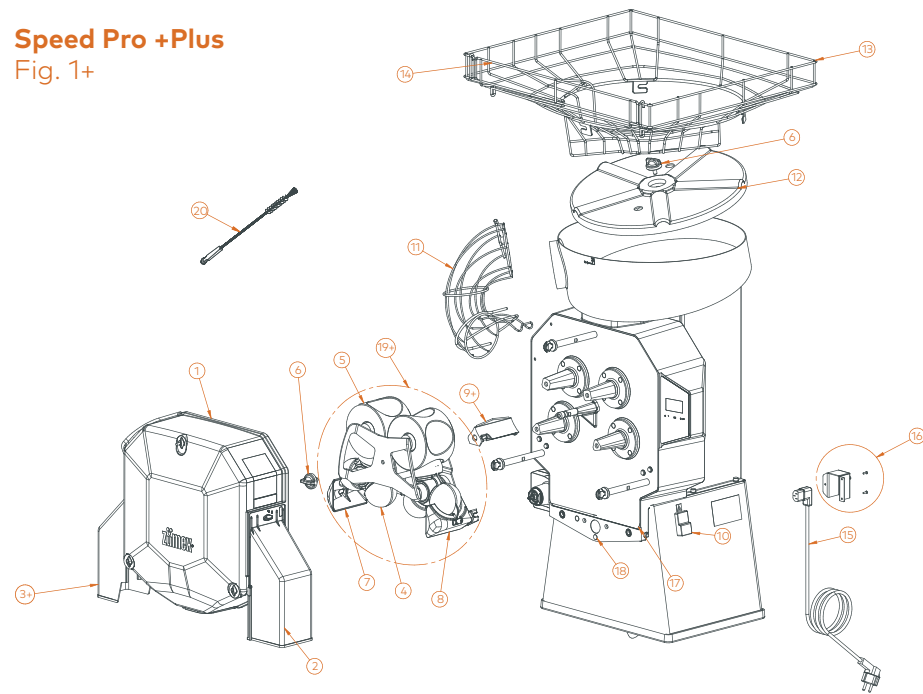


Speed Pro Fig. 1



EN	ES	FR	DE	IT
1	SPEED PRO COVER	CUBIERTA SPEED PRO	CAPOT SPEED PRO	CARTER SPEED PRO
2	RIGHT COVER SIDE OUTLET	SALIDA LATERAL CUBIERTA DERECHA	SORTIE LATÉRALE CAPOT DROITE	USCITA LATERALE CARTER DESTRO
3	LEFT COVER SIDE OUTLET	SALIDA LATERAL CUBIERTA IZQUIERDA	SORTIE LATÉRALE CAPOT GAUCHE	USCITA LATERALE CARTER SINISTRO
4	LOWER PRESSING UNIT	TAMBOR MACHO PLÁSTICO	TAMBOUR MÂLE PLASTIQUE	TROMMELENSATZ KUNSTSTOFF
5	UPPER PRESSING UNIT	TAMBOR HEMBRA PLÁSTICO	TAMBOUR FEMELLE PLASTIQUE	TROMMELGEHÄUSE KUNSTSTOFF
6	PLASTIC SECURING KNOB	VOLANTE PLÁSTICO INYECCIÓN	ÉCROU PAPILLON INJECTION	SICHERHEITSSCHRAUBE SPRITZKUNSTSTOFF
7	LEFT PEEL EJECTOR	CUÑA EXTRACTORA IZQUIERDA	EXTRACTEUR D'ÉCORCE GAUCHE	ENTSAFTERKEIL LINKS
8	RIGHT PEEL EJECTOR	CUÑA EXTRACTORA DERECHA	EXTRACTEUR D'ÉCORCE DROITE	ENTSAFTERKEIL RECHTS
9	BLADE HOLDER	PORTAUCHILLAS	PORTE-LAMES	MESSERHALTER
10	BUTTON RUBBER PROTECTION	GOMA PROTECCIÓN PULSADOR	CACHE-INTERRUPTEUR	TASTENSCHUTZGUMMI
11	FEEDER ELBOW DBS WITH LOCKING SYSTEM	CODO ALIMENTACIÓN DBS CON BLOQUEO	COUDE D'ALIMENTATION DBS À FERMETURE	ZUFÜHRUNGSBOGEN DBS MIT ARRETIERUNG
12	FEEDER PLATE	PLATEAU ALIMENTADOR	PLATEAU CHARGEUR	ZUFÜHRUNGSTELLER
13	FEEDER BASKET	CESTA ALIMENTADOR	PANIER CHARGEUR	ZUFÜHRUNGSKORB
14	FEEDER BASKET DOOR	PUERTA CESTA ALIMENTADOR	PORTE DU PANIER CHARGEUR	TÜR ZUFÜHRUNGSKORB
15	POWER CABLE	CABLE ALIMENTACIÓN	CÂBLE D'ALIMENTATION ÉLECTRIQUE	ANSCHLUSSKABEL
16	CABLE PROTECTOR	PROTECTOR CABLE	PROTECTEUR CÂBLE	KABELSCHUTZ
17	SS/TANK TRAY GASKET	JUNTA CUBETA SS/TANK	JOINT BAC SS/TANK	DICHTUNG BEHÄLTER SS/TANK
18	CONTAINER BOLT	ESPARRAGO CUBETA	GOUJON BAC	BULLONE VASCHETTA
20	BRUSH	CEPILLO	BROSSE	SPAZZOLA

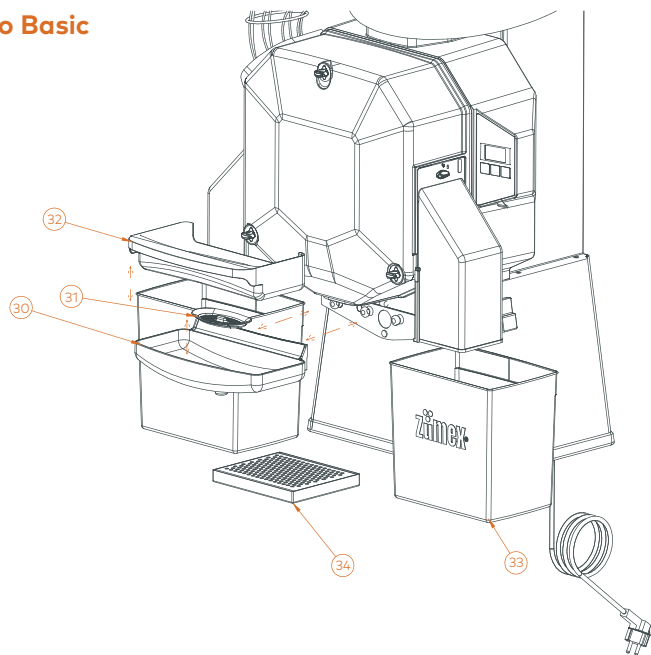
Speed Pro +Plus Fig. 1+



EN	ES	FR	DE	IT
3+	LEFT COVER SIDE OUTLET	SALIDA LATERAL CUBIERTA IZQUIERDA	SORTIE LATÉRALE CAPOT GAUCHE	USCITA LATERALE CARTER SINISTRO
9+	BLADE HOLDER	PORTAUCHILLAS	PORTE-LAMES	MESSERHALTER
19+	EXTRACTION UNIT	KIT DE EXTRACCIÓN	KIT D'EXTRACTION	SCHNELL-REINIGUNGSKIT
				PORTALAMA
				KIT DI ESTRAZIONE

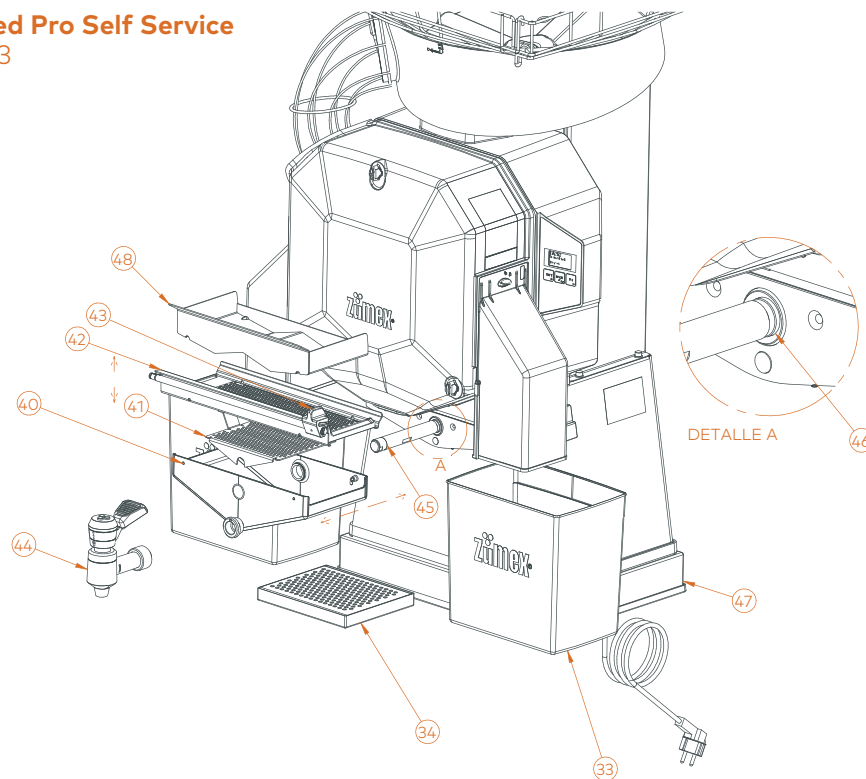
SS: Speed Pro Self Service / Speed Pro Self Service Podium. Tank: Speed Pro Tank Podium. Cooler: Speed Pro Cooler Podium.

Speed Pro Basic
Fig. 2



EN	ES	FR	DE	IT
30	PLASTIC JUICE CONTAINER	CUBETA ZUMO PLÁSTICO	BAC À JUS EN PLASTIQUE	VASCETTA SUCCO PLASTICA
31	PLASTIC INNER FILTER	FILTRO INTERIOR PLÁSTICO	FILTRE INTÉRIEUR EN PLASTIQUE	FILTRO INTERNO PLASTICA
32	PLASTIC JUICE FILTER	FILTRO ZUMO PLÁSTICO	FILTRE À JUS EN PLASTIQUE	FILTRO SUCCO PLASTICA
33	PEEL BUCKET	CUBETA CORTEZAS	BAC À DÉCHETS	VASCETTA BUCCÉ
34	DRIP TRAY	BANDEJA GOTEÓ	BAC ANTIGOUTTES	VASCETTA RACCOGLIGOCCE
			SCHALENBEHÄLTER	
			TROPPFAUFGANGSCHALE	
			SAFTBEHÄLTER KUNSTSTOFF	
			INNENFILTER KUNSTSTOFF	
			SAFTFILTER KUNSTSTOFF	
			SCHALENBEHÄLTER	
			TROPPFAUFGANGSCHALE	

Speed Pro Self Service
Fig. 3

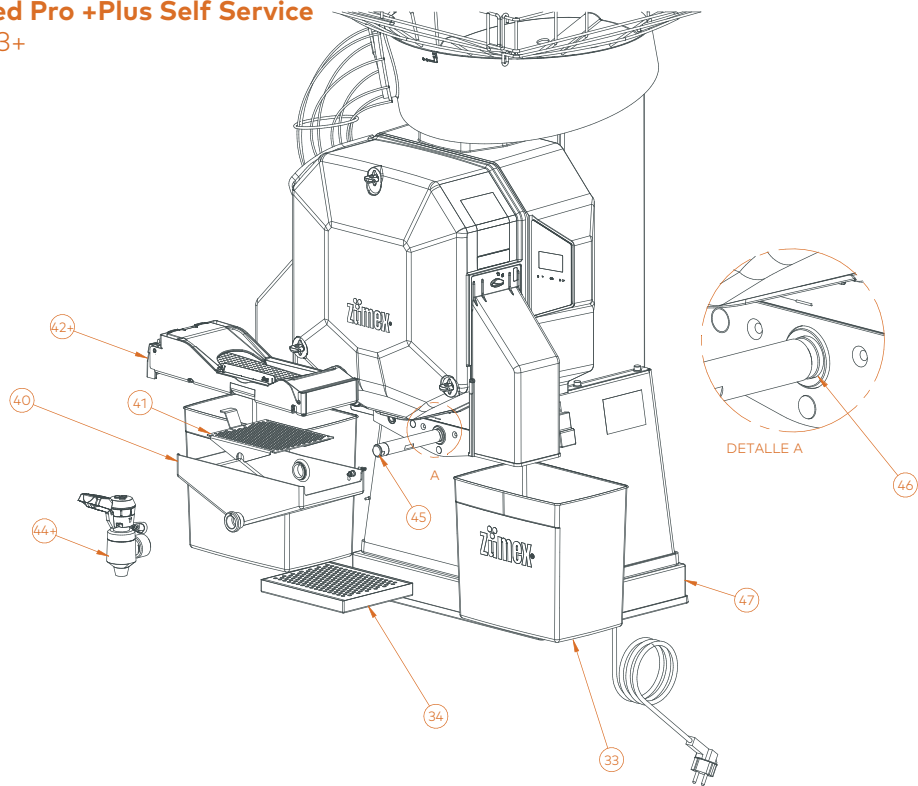


EN	ES	FR	DE	IT
33	PEEL BUCKET	CUBETA CORTEZAS	BAC À DÉCHETS	VASCETTA BUCCÉ
34	DRIP TRAY	BANDEJA GOTEÓ	BAC ANTIGOUTTES	VASCETTA RACCOGLIGOCCE
40	SS JUICE CONTAINER	CUBETA ZUMO SS	BAC À JUS SS	VASCETTA SUCCO SS
41	SS SUB-FILTER	SUBFILTRO ZUMO	SOUS-FILTRE SS	SOTTOFILTRO SS
42	SS/TANK FILTER	FILTRO SS/TANK	FILTRE SS/TANK	FILTRO SS/TANK
43	PULP SWEEPER	BARREDOR DE PULPA	BALAYEUSE À PULPE	RIMUOV-POLPA
44	SS SPOUT	GRIFO SS	ROBINET SS	RUBINETTO SS
45	SPOUT DETECTOR TUBE	TUBO DETECTOR DE GRIFO	TUBE DÉTECTEUR DE NIVEAU ROBINET	TUBO SENSORE DI RUBINETTO
46	DETECTOR TUBE GASKET	JUNTA TUBO DETECTOR	JOINT TUBE DÉTECTEUR	GIARNIZIONE TUBO SENSORE
47	MACHINE SUPPLEMENT	SUPLEMENTO MÁQUINA	ACCESSOIRE DE LEVAGE MACHINE	SUPPLEMENTO MACCHINA
48	W FILTER	FILTRO W	FILTRE W	FILTRO W
			SCHALENBEHÄLTER	
			TROPPFAUFGANGSCHALE	
			SAFTBEHÄLTER SS	
			UNTERFILTER SS	
			FILTRE SS/TANK	
			FILTERREINIGUNGSVORRICHTUNG	
			SB-HAHN SS	
			TUBE SENSORE DI RUBINETTO	
			DICHTUNG SENSORROHR	
			ERGÄNZUNGSTEIL MASCHINE	
			FILTRE W	



Speed Pro +Plus Self Service

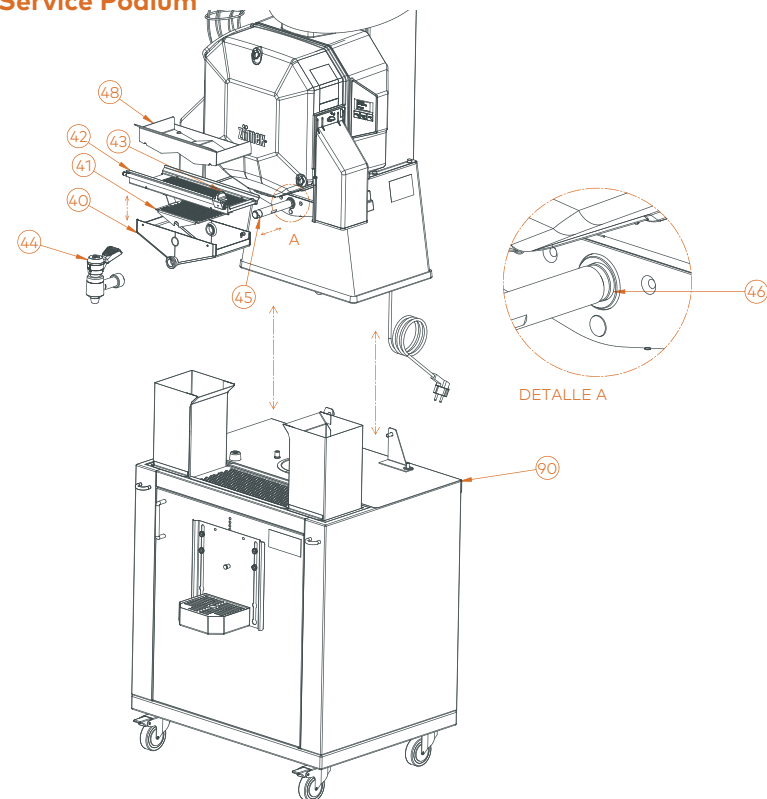
Fig. 3+



EN	ES	FR	DE	IT
42+				
44+				
AUTOMATIC PULPOUT SYSTEM SS PRO +PLUS SPOUT	SISTEMA PULPOUT AUTOMÁTICO GRIFO SS PRO +PLUS	SYSTÈME PULPOUT AUTOMATIQUE ROBINET SS PRO +PLUS	AUTOMATISCHES PULPOUT-SYSTEM SB-HAHN SS PRO +PLUS	SISTEMA PULPOUT AUTOMATICO RUBINETTO SS PRO +PLUS

Speed Pro Self Service Podium

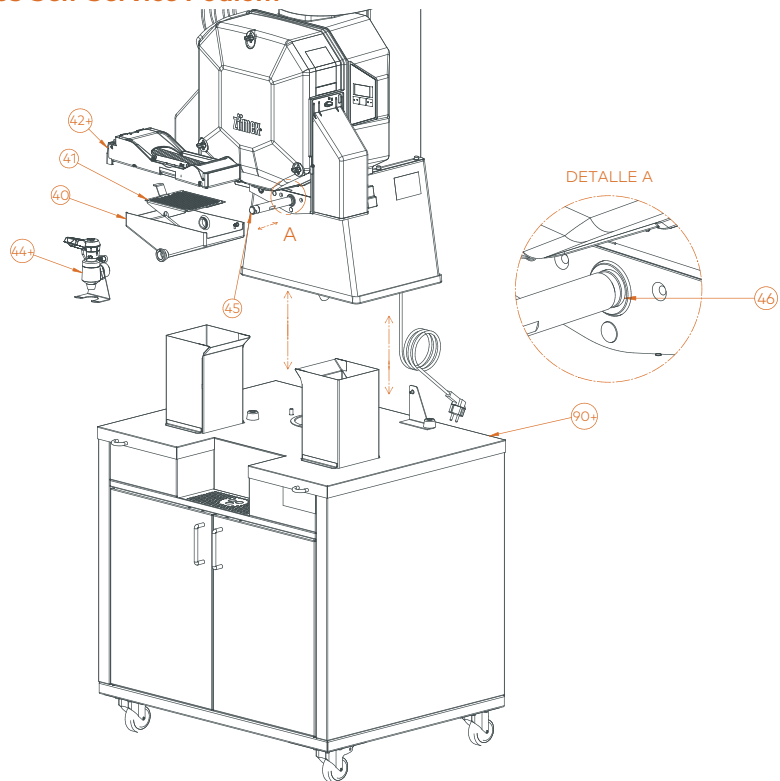
Fig. 4



EN	ES	FR	DE	IT
41				
42				
43				
44				
45				
46				
48				
90				
SS SUB-FILTER	SUBFILTRO SS	SOUS-FILTRE SS	UNTERFILTER SS	SOTTOFILTRO SS
SS/TANK FILTER	FILTRO SS/TANK	FILTRE SS/TANK	FILTER SS/TANK	FILTRO SS/TANK
PULP SWEEPER	BARREDOR DE PULPA	BALAYEUSE À PULPE	FILTERREINIGUNGSVORRICHTUNG	RIMUOVI-POLPA
SS TAP	GRIFO SS	ROBINET SS	SB-HAHN SS	RUBINETTO SS
SPOUT DETECTOR TUBE	TUBO DETECTOR DE GRIFO	TUBE DÉTECTEUR DE NIVEAU ROBINET	SENSORROHR HAHN	TUBO SENSORE DI RUBINETTO
DETECTOR TUBE GASKET	JUNTA TUBO DETECTOR	JOINT TUBE DÉTECTEUR	DICHTUNG SENSORROHR	GUARNIZIONE TUBO SENSORE
W FILTER	FILTRO W	W-FILTRE	W-FILTER	FILTRO W
SS/TANK PODIUM	PODIUM SS/TANK	PODIUM SS/TANK	PODIUM SS/TANK	PODIUM SS/TANK

Speed Pro +Plus Self Service Podium

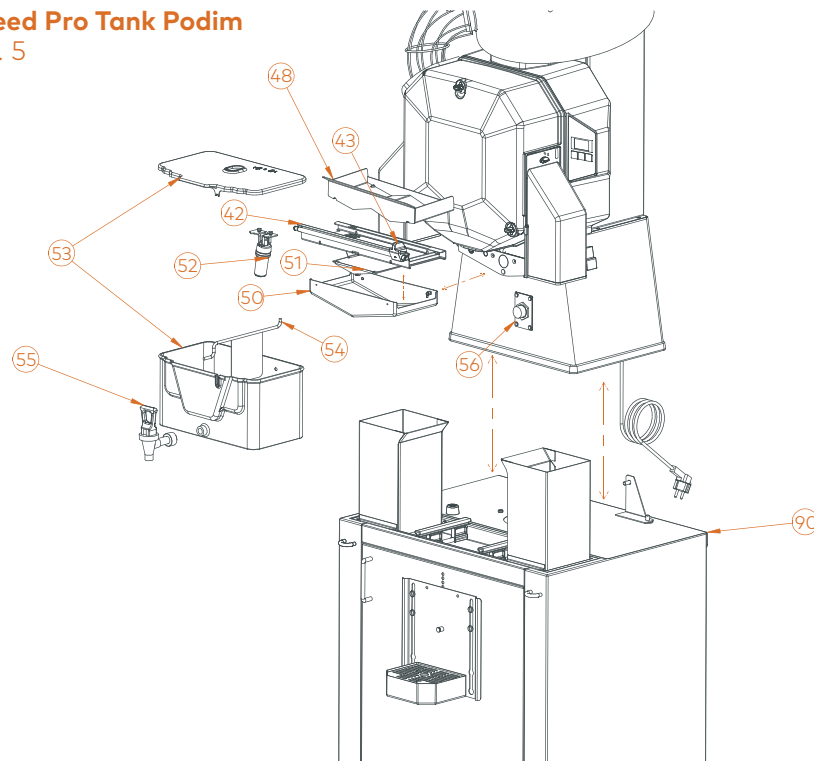
Fig. 4+



EN	ES	FR	DE	IT
42+	SISTEMA PULPOUT AUTOMÁTICO	SYSTÈME PULPOUT AUTOMATIQUE	SCHNELL-REINIGUNGSKIT	SISTEMA PULPOUT AUTOMATICO
44+	GRIFO SS PRO +PLUS	ROBINET SS PRO +PLUS	SB-HAHN SS PRO +PLUS	RUBINETTO SS PRO +PLUS
90+	PODIUM SS/TANK PRO +PLUS	PODIUM SS/TANK PRO +PLUS	PODIUM SS/TANK PRO +PLUS	PODIUM SS/TANK PRO +PLUS

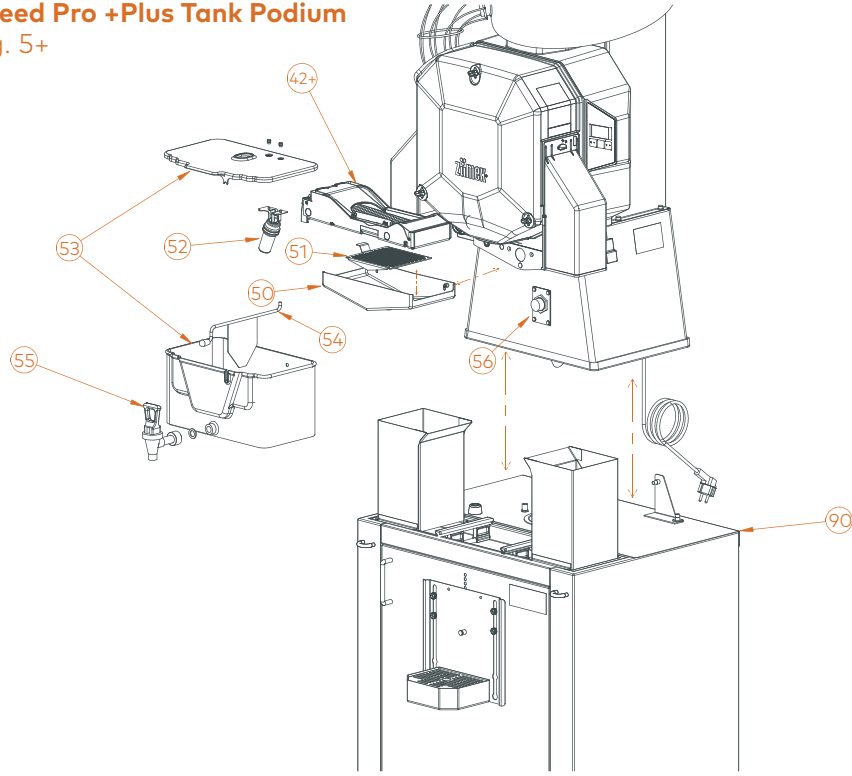
Speed Pro Tank Podim

Fig. 5

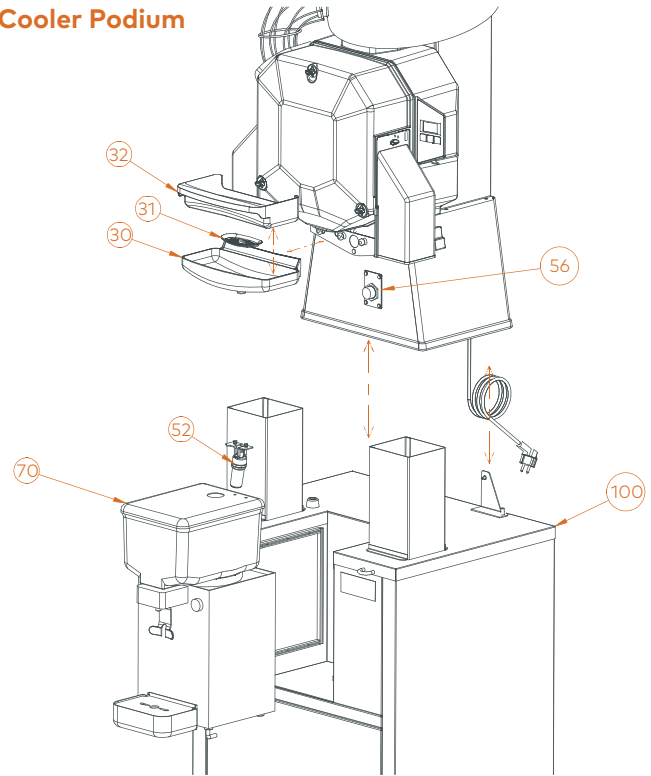


EN	ES	FR	DE	IT
42	FILTRO SS/TANK	FILTRE SS/TANK	FILTRO SS/TANK	FILTRO SS/TANK
43	BALAYEUR DE PULPA	BALAYEUR DE PULPE	FILTERREINIGUNGSVORRICHTUNG	RIMUOV-POLPA
48	FILTRO W	FILTRE W	W-FILTER	FILTRO W
49	TANK JUICE CONTAINER	BAC A JUS TANK	SCHWIMMER TANK/COOLER	WASCHETTA SUCCO TANK
50	TANK SUB-FILTER	SOUS-FILTRE TANK	UNTERFILTER TANK	SOTTOFILTRO TANK
51	TANK/COOLER BUOY	BOYA TANK/COOLER TANK	SCHWIMMER TANK/COOLER TANK	GALLEGGIANTE TANK/COOLER TANK
52	SHAKER	AGITADOR	MELANGEUR	AGITATORE
53	TANK TAP	GRIFO TANK	ROBINET TANK	RUBINETTO TANK
54	LEVEL DETECTOR	DETECTEUR DE NIVEL	DETECTEUR DE NIVEAU	FULLSTANDENSOR
90	PODIUM SS/TANK	PODIUM SS/TANK	PODIUM SS/TANK	PODIUM SS/TANK

Speed Pro +Plus Tank Podium
Fig. 5+



Speed Pro Cooler Podium
Fig. 6

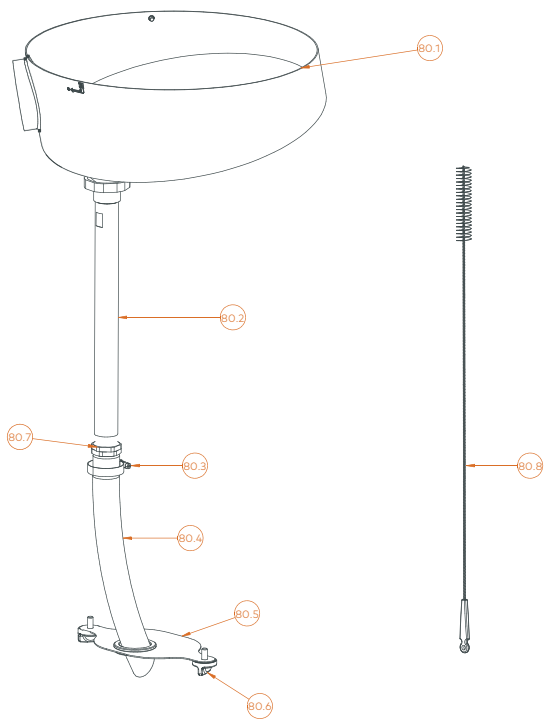


EN	ES	FR	DE	IT
42+				
AUTOMATIC PULPOUT SYSTEM	SISTEMA PULPOUT AUTOMÁTICO	SYSTÈME PULPOUT AUTOMATIQUE	SCHNELL-REINIGUNGSKIT	SISTEMA PULPOUT AUTOMATICO

EN	ES	FR	DE	IT
30	CUBETA ZUMO PLÁSTICO	BAC A JUS EN PLASTIQUE	SAFTBEHÄLTER KUNSTSTOFF	VASCETTA SUCCO PLASTICA
31	FILTRO INTERIOR PLÁSTICO	FILTRE INTERIEUR EN PLASTIQUE	INNENFILTER KUNSTSTOFF	FILTRO INTERNO PLASTICA
32	FILTRO ZUMO PLÁSTICO	FILTRE A JUS EN PLASTIQUE	SAFTFILTER KUNSTSTOFF	FILTRO SUCCO PLASTICA
52	BOYA TANK/COOLER	FLOTTEUR TANK/COOLER	SCHWIMMER TANK/COOLER	GALLEGGIANTE TANK/COOLER
56	DETECTOR DE NIVEL	DETECTEUR DE NIVEAU	FÜLLSTANDSENSOR	SENSORE DI LIVELLO
70	CONJUNTO ENFRIADOR	ENSEMBLE REFRIGÉRISSEUR	KÜHLEINHEIT	SISTEMA REFRIGERANTE
100	PODIUM COOLER	PODIUM COOLER	PODIUM COOLER	PODIUM COOLER

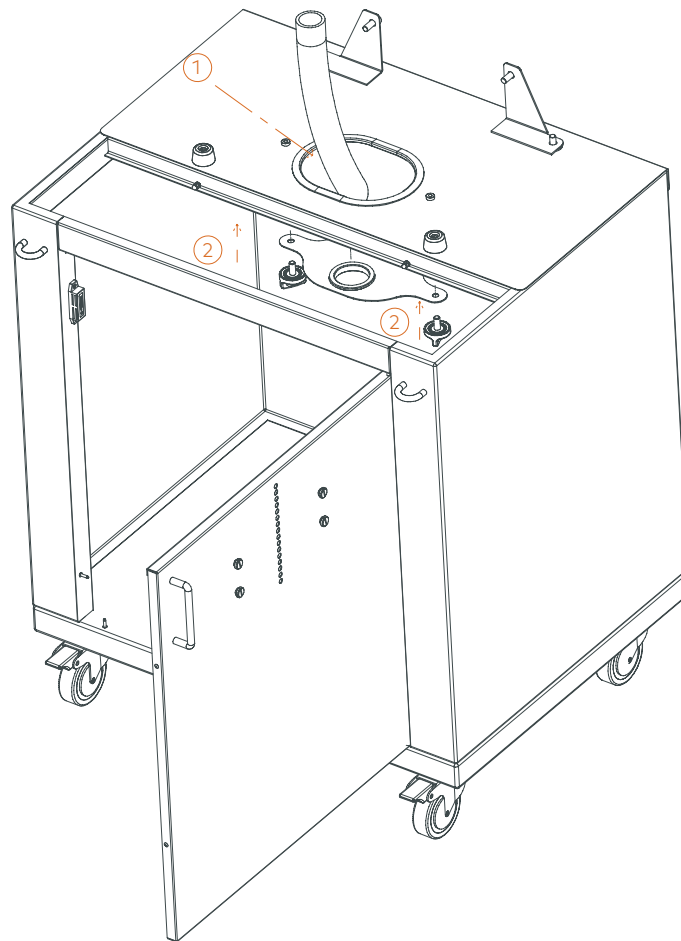


Drain&Clean Fig. 7.1



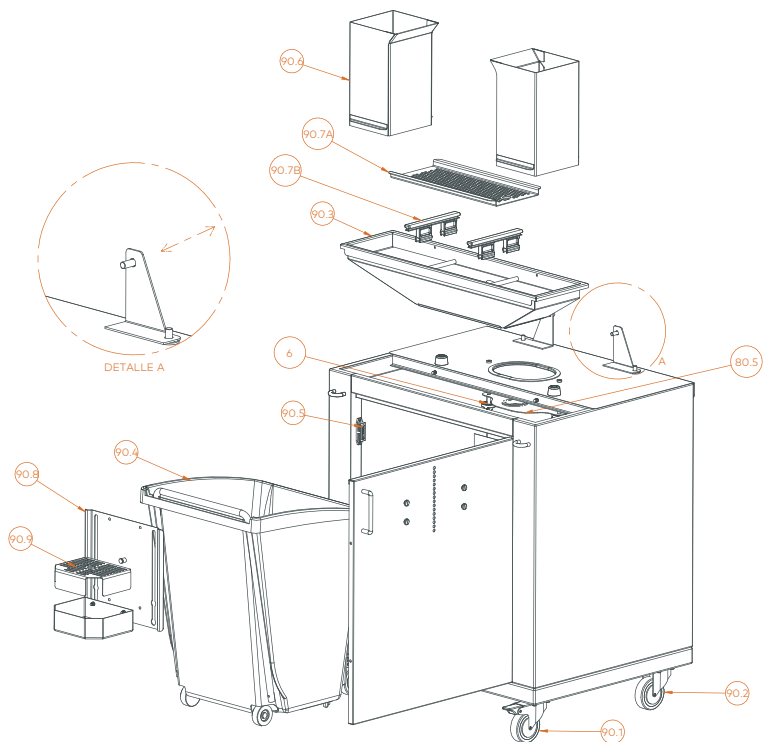
EN	ES	FR	DE	IT
80.1 FEEDER WITH DRAIN	ALIMENTADOR C/DESAGÜE	DISTRIBUTEUR AVEC VIDANGE	ZUFÜHRUNG MIT ABLAUF	ALIMENTATORE C/SCARICO
80.2 SS MAIN TUBE	TUBO CENTRAL INOX	TUBE CENTRAL INOX	ZENTRALES ROHR ROSTFREI	TUBO CENTRALE INOX
80.3 METAL CLAMP	ABRAZADERA METALICA	COLLIER METALLIQUE	METALLSCHELLE	FLANGIA METALLICA
80.4 HOSE	TUBO FLEXIBLE	TUBE FLEXIBLE	SCHLAUCH	TUBO FLESSIBILE
80.5 INNER STAND COVER	TAPA INTERIOR MUEBLE	PLAQUE INTERIEURE MEUBLE	INNENDECKEL UNTERSCHRANK	COPERCHIO INTERNO MOBILE
80.6 PLASTIC SECURING KNOB	VOLANTE PLÁSTICO	ECROU PAPILLON EN PLASTIQUE	SICHERHEITSSCHRAUBE KUNSTSTOFF	VITE DI SICUREZZA PLASTICA
80.7 TUBE NUT	TUERCA TUBO	TUBE NUT	ROHRMÜTTER	TUBE NUT
80.8 BRUSH	CEPILLO	BRUSSE	BÜRSTE	SPAZZOLA

Drain&Clean Fig. 7.2



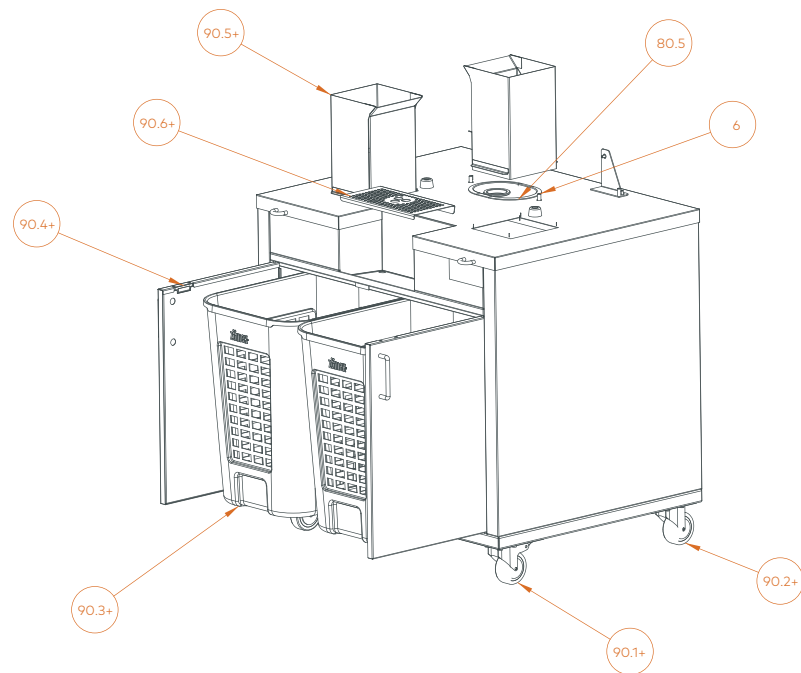
Podium (Speed Pro Self Service/Tank, Speed Pro +Plus Tank)

Fig. 8



Podium (Speed Pro +Plus Self Service)

Fig. 8+



EN	ES	FR	DE	IT	
6	PLASTIC SECURING KNOB	VOLANTE PLÁSTICO INYECCIÓN	ECROU PAPILLON PLASTIQUE INJECTION	SCHWENKROLLE MIT BREMSE	VITE DI SICUREZZA PLASTICA INIEZIONE
90.5	SS/TANK STAND COVER	TAPA MUEBLE SS/TANK	PLAQUE MEUBLE SS/TANK	COPERCHIO MOBILE SS/TANK	COPERCHIO MOBILE SS/TANK
90.1	SWIVEL WHEEL WITH BRAKE	RUEDA GIRATORIA CON FRENO	ROUE TOURNANTE AVEC FREIN	RIJOTA GIREVOLE CON FRENO	RIJOTA GIREVOLE CON FRENO
90.2	SWIVEL WHEEL WITHOUT BRAKE	RUEDA GIRATORIA SIN FRENO	RUEDA GIRATORIA SANS FREIN	RIJOTA GIREVOLE SENZA FRENO	RIJOTA GIREVOLE SENZA FRENO
90.3	STAND HOPPER	TOLVA MUEBLE	ENTONNOIR MEUBLE	TRAMOGGIA MOBILE	TRAMOGGIA MOBILE
90.4	WASTE BIN	CARRITO RESIDUOS	CHARRIOT À DÉCHETS	SCHALENAUSTRITT	SCHALENAUSTRITT
90.5	DOOR LOCK MAGNET	IMÁN CIERRE PUERTA	AIMANT FERMETURE PORTE	FILTER UNTERSCHRANK SS	FILTER UNTERSCHRANK SS
90.6	PEEL OUTLET	CAÍDA CORTEZAS	BEHÄLTERFÜHRUNGEN DECHETS	CADUTA BUCCIE	CADUTA BUCCIE
90.7A	SS STAND FILTER	FILTRO MUEBLE SS	PLAQUE MUEBLE SS	FRONTBLENDE TABLETT	FILTRO MOBILE SS
90.7B	TANK GUIDES	GUÍAS DEPÓSITO TANK	FILTRE TABLETT	GUIDA SERBATOIO TANK	GUIDA SERBATOIO TANK
90.8	TRAY FRONT	FRONTIS BANDEJA	PLAQUE FACE BAC	SICHERHEITSSCHRAUBE SPWITZGÜSSKUNSTSTOFF	FRONTALINO VASCHETTA
90.9	TRAY FILTER	FILTRO BANDEJA	FILTRE BAC	UNTERSCHRANK SS/TANK	FILTRO VASCHETTA

EN	ES	FR	DE	IT	
6	PLASTIC SECURING KNOB	VOLANTE PLÁSTICO INYECCIÓN	ECROU PAPILLON PLASTIQUE INJECTION	SCHWENKROLLE MIT BREMSE	VITE DI SICUREZZA PLASTICA INIEZIONE
90.5	SS/TANK STAND COVER	TAPA MUEBLE SS/TANK	PLAQUE MEUBLE SS/TANK	SCHWENKROLLE OHNE BREMSE	COPERCHIO MOBILE SS/TANK
90.1+	SWIVEL WHEEL WITH BRAKE	RUEDA GIRATORIA CON FRENO	ROUE TOURNANTE AVEC FREIN	TRICHTER UNTERSCHRANK	RIJOTA GIREVOLE CON FRENO
90.2+	SWIVEL WHEEL WITHOUT BRAKE	RUEDA GIRATORIA SIN FRENO	RUEDA GIRATORIA SANS FREIN	ABFALLWAGEN	RIJOTA GIREVOLE SENZA FRENO
90.3+	STAND HOPPER	CUBO RESIDUOS	ENTONNOIR MEUBLE	TÜRVERSCHLUSSMAGNET	TRAMOGGIA MOBILE
90.4+	WASTE BIN	CARRITO RESIDUOS	CHARRIOT À DÉCHETS	SCHALENAUSTRITT	SCHALENAUSTRITT
90.5+	DOOR LOCK MAGNET	IMÁN CIERRE PUERTA	AIMANT FERMETURE PORTE	FILTER UNTERSCHRANK SS	FILTER UNTERSCHRANK SS
90.6+	PEEL OUTLET	CAÍDA CORTEZAS	RÉCUPÉRATEUR DECHETS	BEHÄLTERFÜHRUNGEN TANK	CADUTA BUCCIE



Podium (Speed Pro Cooler)

Fig. 9.1-9.2

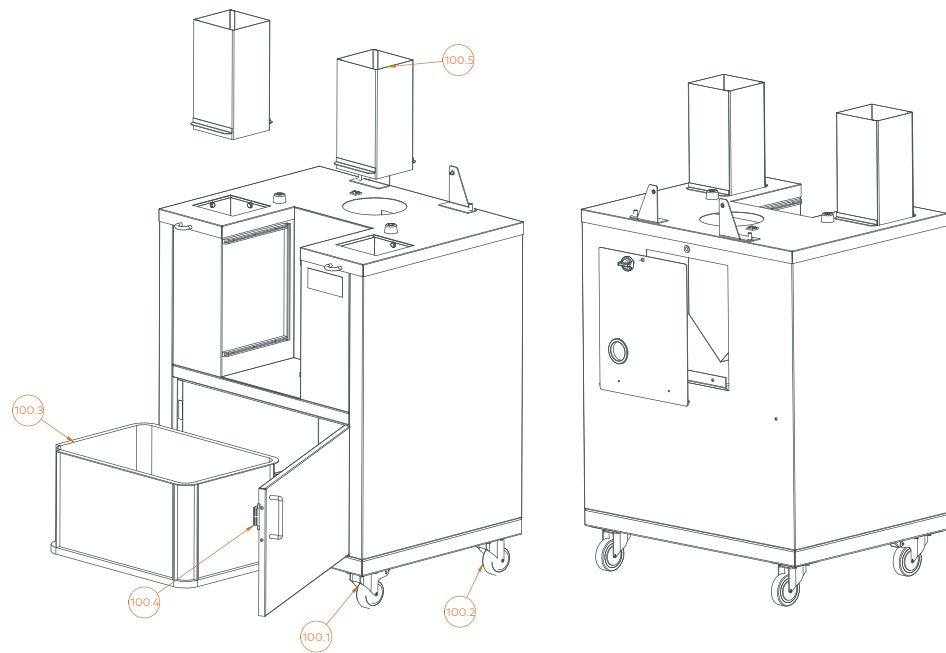
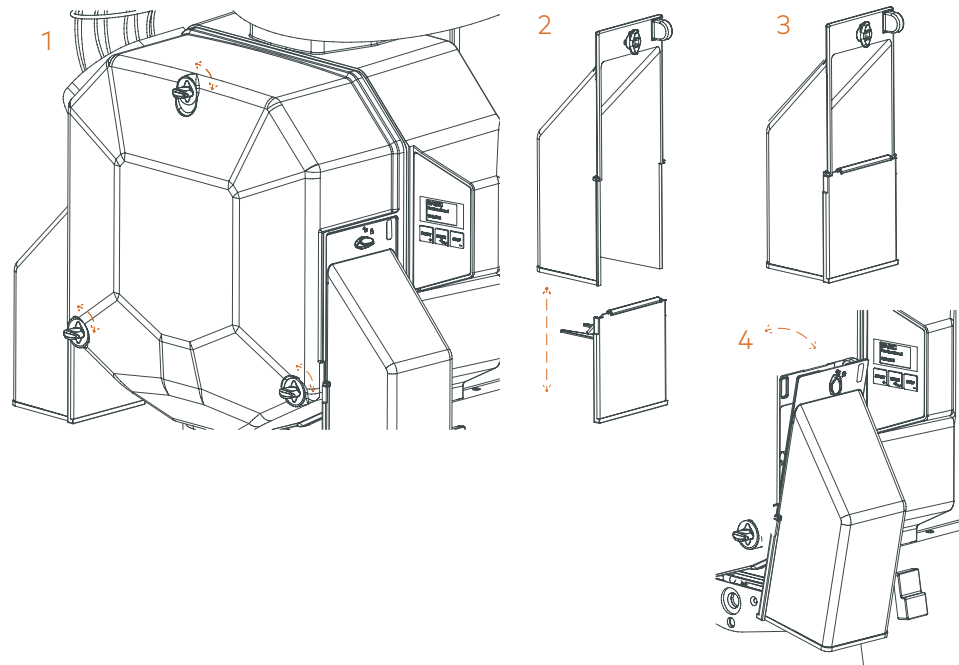


Fig. 10



EN	ES	FR	DE	IT
100.1	RUEDA GIRATORIA CON FRENO	ROUE TOURNANTE AVEC FREIN	SCHWENKROLLE MIT BREMSE	RUOTA GIREVOLE CON FRENO
100.2	RUEDA GIRATORIA SIN FRENO	ROUE TOURNANTE SANS FREIN	SCHWENKROLLE OHNE BREMSE	RUOTA GIREVOLE SENZA FRENO
100.3	PEEL BUCKET	BAC À DÉCHETS	SCHALENBEIMER	DEPOSITO BUCCE
100.4	DOOR LOCK MAGNET	IMAN FERMETURE PORTE	TÜRVERSCHLUSSMAGNET	CALAMITA CHIUSURA SPORTELLLO
100.5	PEEL CHUTE	CADIDA CORTEZAS	SCHALENAUSTRITT	CADUTA BUCCE



Fig. 11

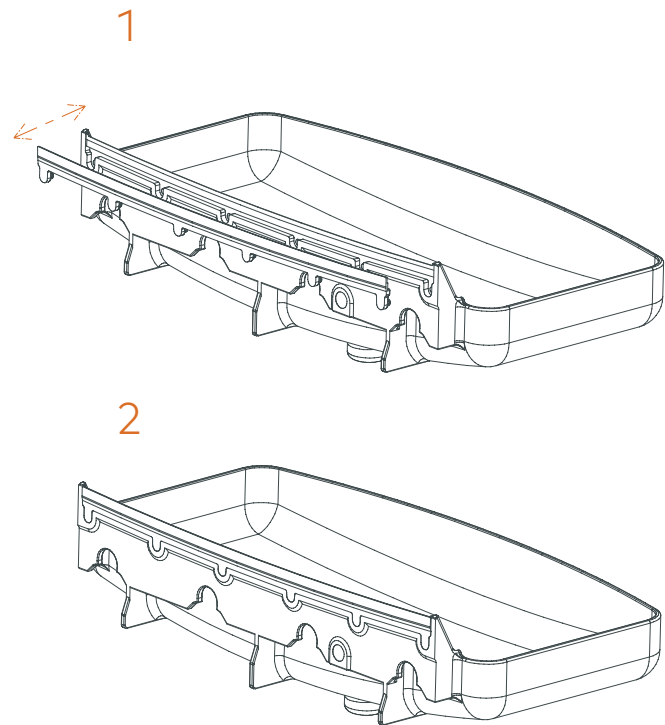


Fig. 12

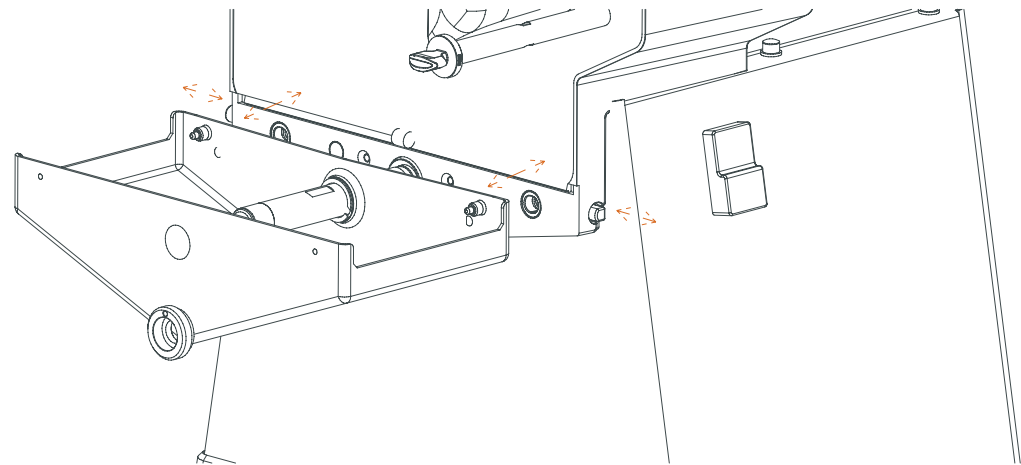




Fig. 13

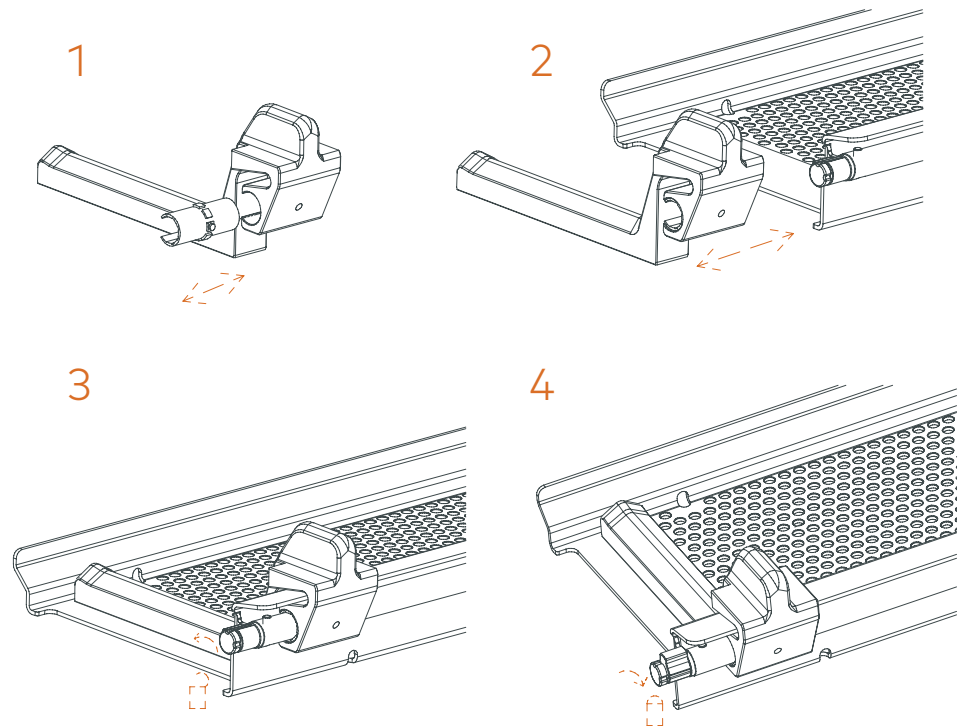


Fig. 14

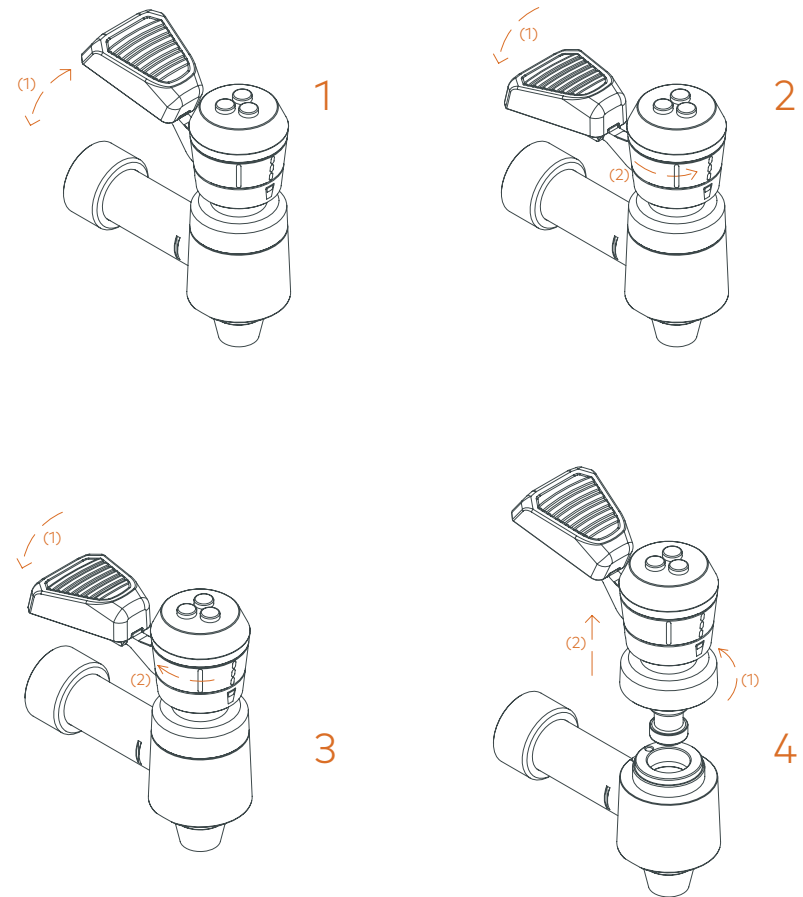




Fig. 14+

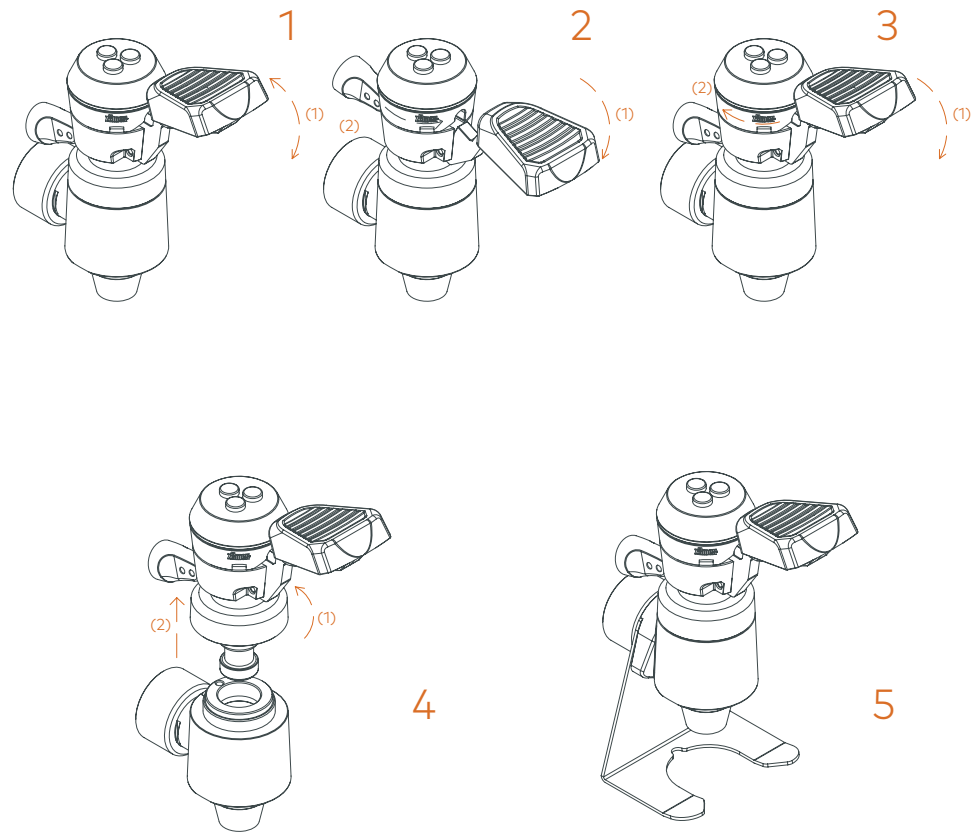


Fig. 15

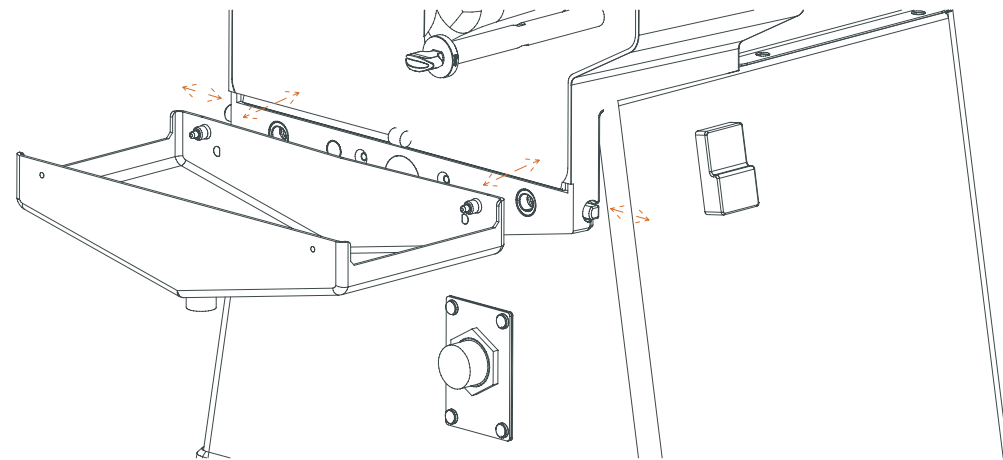




Fig. 16

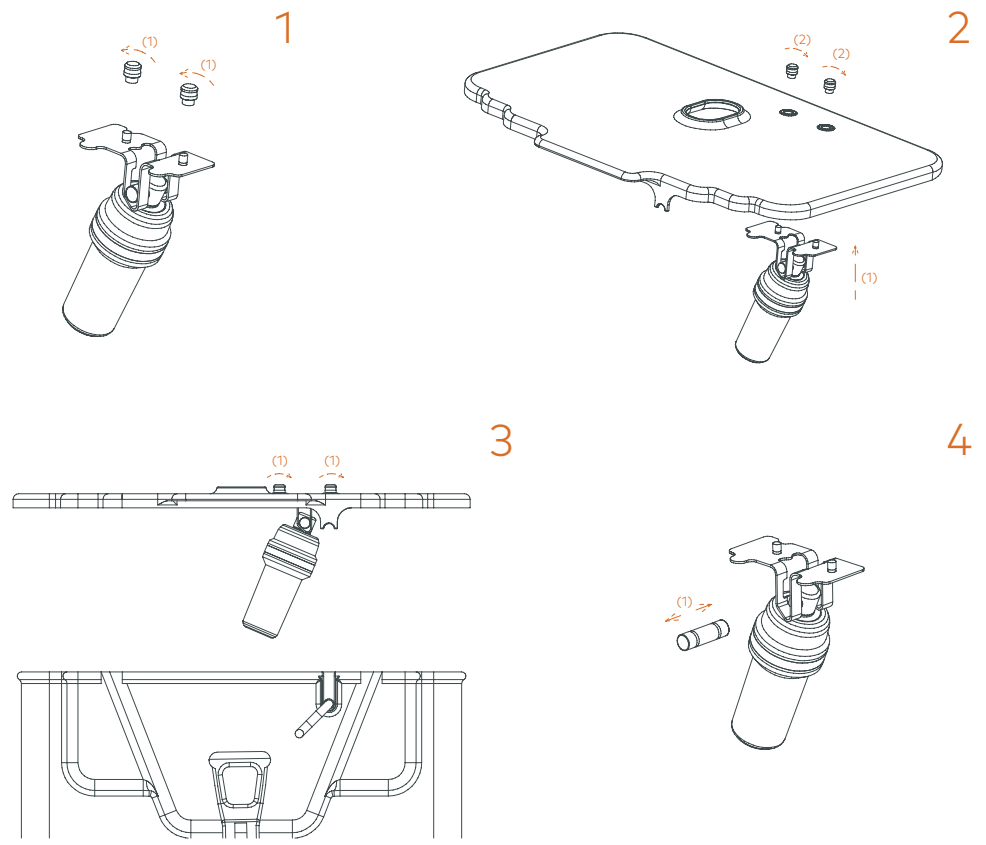


Fig. 17.1-17.2

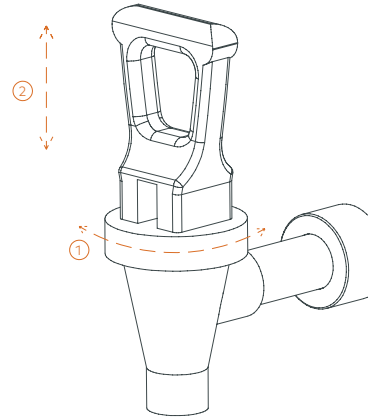
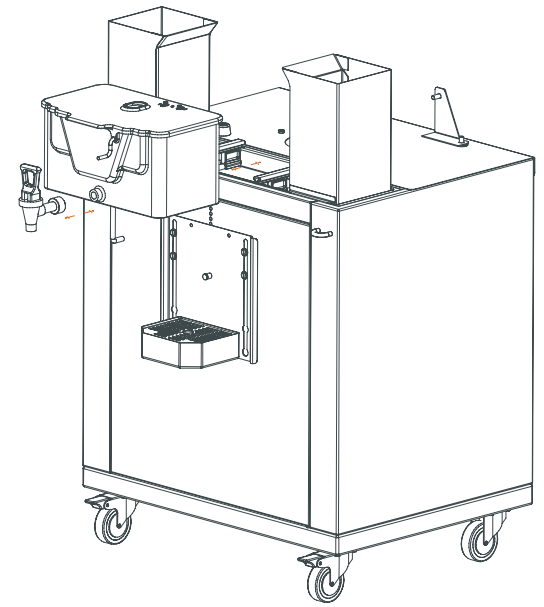
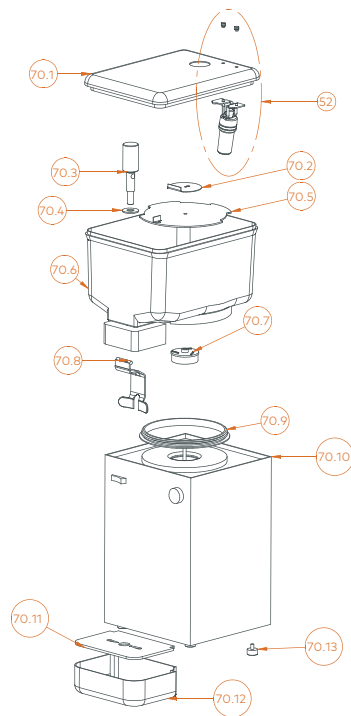
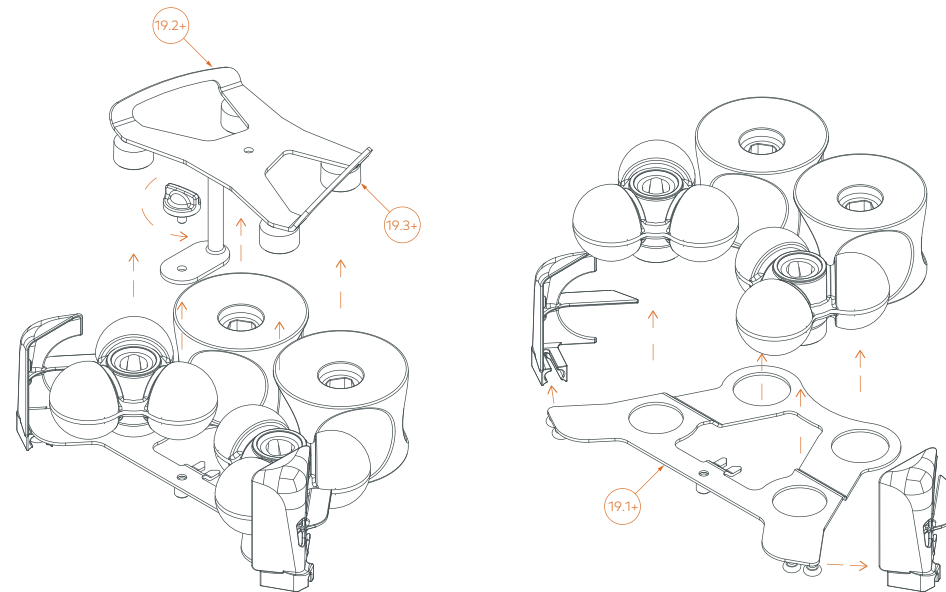


Fig. 18



EN	ES	FR	DE	IT
52	TANK / COOLER BUOY	BOYA TANK/COOLER	SCHWIMMER TANK/COOLER	GALLEGGIANTE TANK/COOLER
70.1	TANK COVER	TAPA DEPÓSITO	DECKEL SAFTBEHÄLTER	TAPPO SERBATOIO
70.2	COUPLER PLATE	PLACA DE ENGANCHE	BEFESTIGUNGSPLATTE	PIASTRA DI ATTACCO
70.3	TAP PISTON	PISTÓN GRIFO	KOLBEN HAHN	PISTONE RUBINETTO
70.4	TAP GASKET	JUNTA GRIFO	DICHTUNG HAHN	GUARNIZIONE RUBINETTO
70.5	PUMP COVER	TAPA BOMBA	DECKEL PUMPE	COPERCHIO POMPA
70.6	TANK	DEPÓSITO	BEHÄLTER	SERBATOIO
70.7	PUMP TURBINE	TURBINA BOMBA	TURBINE PUMPE	TURBINA POMPA
70.8	TAP CONTROL LEVER	PALANCA MANDO GRIFO	BETÄTTIGUNGSHEBEL HAHN	LEVA COMANDO RUBINETTO
70.9	TANK GASKET	UNIDAD ENFRIADORA	UNITE REFRIGÉREUR	SISTEMA REFRIGERANTE
70.10	COOLER UNIT	REJILLA CAJÓN	GRILLE BAC	GRIGLIA VASCHETTA
70.11	TRAY GRATING	CAJÓN RECOGE GOTAS H	BAC ANTI-GOUTTES H	VASCHETTA RACCOGLIGOCCE H
70.12	DRIP TRAY H	PIE NIVELADOR	VIS DE RÉGLAGE HAUTEUR	PIEDINO LIVELLATORE
70.13	LEVELLING FOOT			

Fig. 19+



EN	ES	FR	DE	IT
19.1+	FRONT HOLDER	SOPORTE TRASERO	HINTEREN HALTER	SUPPORTO POSTERIORE
19.2+	REAR HOLDER	SOPORTE DELANTERO	VORDEREN HALTERS	SUPPORTO ANTERIORE
19.3+	SWIVEL BUFFER	TOPE	DREHKNÄUFE	POMELLI ROTANTI



Fig. 20.1+

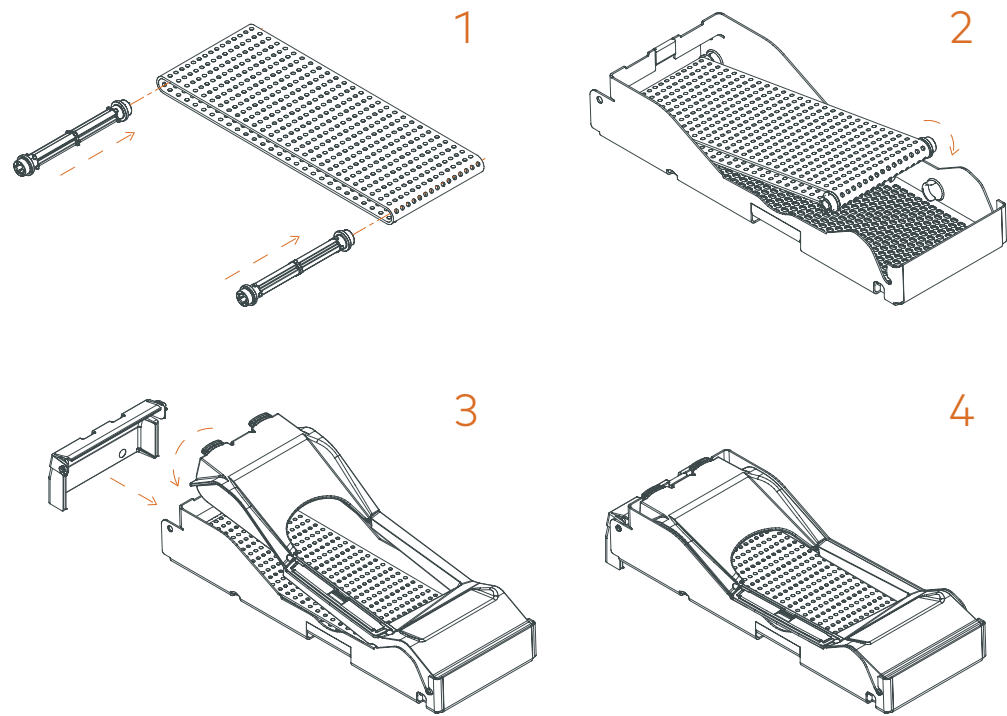
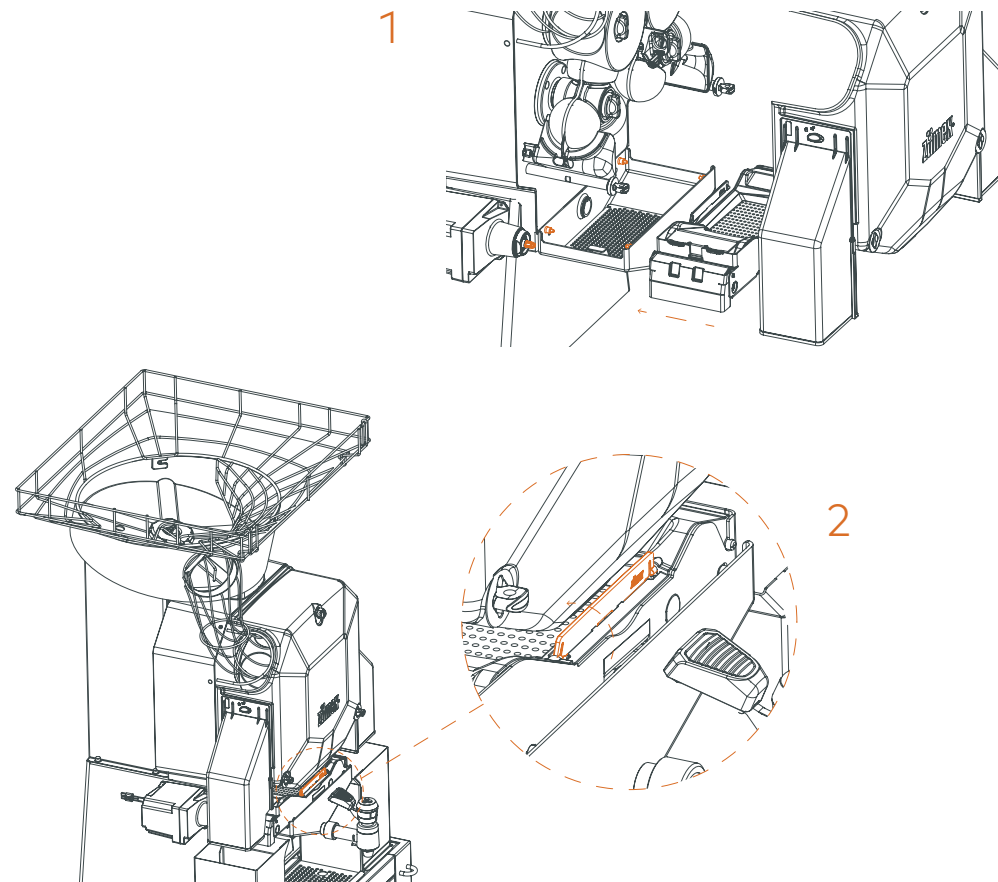


Fig. 20.2+





ZUMEX PRESENTS

The fastest and most robust range of machines just got bigger

Speed Pro and Speed Pro +Plus have been specially designed for times when a large quantity of juice is needed. The new models are better than ever before in terms of efficiency. They are perfect for restaurants, cafeterias and supermarkets.

Here we will discover how the machine works and how easy they are to clean.

This manual is for the Speed Pro and Speed Pro +Plus models.



Register your
Speed Pro here

Speed Pro

User Manual. First steps.

In this manual, you will find everything you need to assemble and start up your new Speed Pro or Speed Pro +Plus series juicier, as well as information about how it works, its features and accessories as well as some tips and precautions.

Please read the instructions carefully to get the best performance out of your machine.

CONTENTS

- 3** ANNEX
- 34** IMPORTANT GENERAL INFORMATION
- 38** TECHNICAL FEATURES
- 39** INSTRUCTIONS FOR USE
 - 39** PREPARATION
 - 39** UNPACKING AND START-UP
 - 42** ASSEMBLY AND DETACHMENT OF COMPONENTS ACCORDING TO MODEL
 - 52** GENERAL OPERATION
 - 58** CONFIGURATION
 - 62** CLEANING
 - 64** ACCESSORIES
- 68** TROUBLESHOOTING AND TIPS
- 211** EU DECLARATION OF CONFORMITY

Zumex reserves the right to modify the information contained in this manual without prior notice.



Important general information

This manual refers to the following Zumex models

Countertop models	Zumex Speed Pro Basic
	Zumex Speed Pro Self Service
	Zumex Speed Pro +Plus Self Service
Models with stand	Zumex Speed Pro Self Service Podium
	Zumex Speed Pro +Plus Self Service Podium
	Zumex Speed Pro Tank Podium
	Zumex Speed Pro +Plus Tank Podium
	Zumex Speed Cooler Podium

Before you start, we recommend you to take the following precautions into account:

- The specific details about your Zumex juicer (voltage, frequency and other data of interest), can be found on the Identification Label attached to the actual machine.
- Remember that if you have any technical queries, you should get in touch with your Regular Dealer / Official Technical Support Service, always stating the Serial Number on the machine Identification Label.
- Zumex adopts the necessary measures to ensure that the machines placed on the market are selectively collected and managed in an environmentally respectful manner. Please contact your authorised Zumex dealer to correctly dispose of these machines.
- **Do not manipulate the machine in such a way that it works without safety elements.**
 - This appliance can be used by children over the age of 8 or older, or by people with impaired physical, sensorial or mental capacities or who lack experience or knowledge, if they are supervised or have received adequate training with respect to the safe operation of the appliance and they understand the risks entailed.
 - Children should be supervised to make sure they do not play with the appliance.
 - The cleaning and maintenance to be performed by the user must not be carried out by children without supervision.
 - This machine contains an equipotential terminal on the rear to connect the Earth Tap of other appliances to the Earth Tap of

your installation through this terminal. If you use it, slacken the nuts and washers, couple the Earth Tap cable of the auxiliary appliance and firmly tighten the nuts and washers again. This equipotentiality point is indicated with the following symbol:



- Do not spray the appliance with water to clean it.
- This machine is designed **for squeezing citrus fruit of the size indicated in this manual:** Orange, Limes, Mandarin, Pomegranate and Grapefruit.
- Do not use other different fruit to that specified in the manual.
- When you clean, perform maintenance or replace parts, make sure that you have always unplugged the power cable from the socket and it is visible.
- Use the cutting elements with great care, to avoid possible cuts.
- The parts that are in contact with food must be cleaned according to the instructions that you can read in the cleaning chapter.
- If the power cable is damaged, it must be replaced with a cable or special unit to be supplied by the manufacturer or by the after-sales service.

- The cable is sent with a protector in order to prevent accidentally pulling the cable out. Please make sure you fit this protection as indicated below in the instructions, to guarantee the safety of the appliance.

The instructions may be updated. You can consult the updated instructions on our website www.zumex.com, in the section of the selected model.

If you have any suggestions or comments that you believe may improve our machines or service network, please get in touch with Zumex directly at the address below:

 **ZUMEX GROUP, S.A.**

Polígono Ind. Moncada III C/Molí 2. 46113 Moncada. Valencia. Spain.

Tel. +34 961 301 251 · Fax: +34 961 301 255

zumex@zumex.com / www.zumex.com

ZUMEX SERVICE

Tel. +34 960 800 999 · service@zumex.com



Technical features

Model	Weight		Dimensions Width x Height x Depth	
Speed Pro Basic	64.7 Kg	142.4 lb	593x574x989 mm	23.35"x22.6"x38.94"
Speed Pro Self-Service	72.4 Kg	159.4 lb	593x658x1050 mm	23.35"x25.91"x41.34"
Speed Pro +Plus Self-Service	74.4 Kg	163.8 lb	593x675x1050 mm	23.35"x26.57"x41.34"
Speed Pro Self-Service Podium	119.6 Kg	262.8 lb	675x700x1765 mm	26.57"x27.56"x69.49"
Speed Pro +Plus Self-Service Podium	147.7 Kg	319 lb	854x734x1766 mm	33.62"x28.90"x69.53"
Speed Pro Tank Podium	119.1 Kg	262 lb	675x700x1765 mm	26.57"x27.56"x69.49"
Speed Pro +Plus Tank Podium	121.2 Kg	266.7 lb	675x700x1765 mm	26.57"x27.56"x69.49"
Speed Pro Cooler Podium	128.3 Kg	282.2 lb	675x727x1850 mm	26.57"x28.62"x72.83"

OTHER CHARACTERISTICS (For all models)

Voltage	120 V 60 Hz	220-240 V 50-60Hz
Power	300 W (560 W Cooler)	300 W (560 W Cooler)
Consumption	2.7 A (4.87 A Cooler)	1.2 A (2.4 A Cooler)
Oranges per minute	40	37/40
Fruits*	Oranges, tangerines, limes, grapefruits, pomegranates	
Size of fruit	65-81 mm (45-67 mm with Kit S)	
Feeder capacity	20 kg / 44 lb	
Protection	IPX4	
Sound pressure level	Lower 70 dB(A)	

* For other fruits squeezed always check with your nearest dealer.

Instructions for use

Preparation

To start to extract juice, you must follow the steps below:

1. Unpack your juicer and place it on as flat a surface as possible.
 2. Make sure that the mains voltage coincides with the voltage indicated on the machine identification label that you will find on the machine.
 3. Ensure that no obstacles hinder you during the unpacking process.
- ! Before first use, we recommend that you clean the juicing system. Please see the section entitled 'Cleaning'.

Unpacking and start-up

Follow the instructions given, depending on the machine model you have purchased. The following components could be loose and if so must be installed properly:

Speed Pro Basic

Right cover side outlet (2), Left cover side outlet (3), Power cable (15), Protector cable (16), Plastic juice container (30), Inner plastic filter (31), Plastic juice filter (32), Peel bucket (33), Drip tray (34).

See Figures 1 and 2.

Speed Pro Self Service

Right cover side outlet (2), Left cover side outlet (3), Power cable (15), Protector cable (16), Peel bucket (33), Drip tray (34), SS Juice container (40), SS Sub-filter (41), SS/Tank Filter (42), Pulp sweeper (43), SS Tap (44), Machine supplement (47), W Filter (48).

See Figures 1 and 3.



Speed Pro +Plus Self Service

Right cover side outlet (2), Left cover side outlet Pro +Plus (3+), Power cable (15), Protector cable (16), Peel bucket (33), Drip tray (34), SS juice container (40), SS Sub-filter (41), Automatic PulpOut System (42+), SS Tap Pro +Plus (44+), Machine supplement (47).

See Figures 1+ and 3+.

Speed Pro Self Service Podium

Right cover side outlet (2), Left cover side outlet (3), Power cable (15), Protector cable (16), SS Juice container (40), SS Sub-filter (41), SS/Tank Filter (42), Pulp sweeper (43), SS Tap (44), W Filter (48).

See Figures 1 and 4. See section Podium Self Service/Tank (90) for information about your machine stand.

Speed Pro +Plus Self Service Podium

Right cover side outlet (2), Left cover side outlet Pro +Plus (3+), Power cable (15), Protector cable (16), SS Juice container (40), SS Sub-filter (41), Automatic PulpOut System (42+), SS Tap Pro +Plus (44+).

See Figures 1+ and 4+. See section Podium Pro +Plus Self Service (90+) for information about your machine stand.

Speed Pro Tank Podium

Right cover side outlet (2), Left cover side outlet (3), Power cable (15), Protector cable (16), SS/Tank Filter (42), Pulp sweeper (43), W Filter (48), Tank juice container (50), Tank sub-filter (51), Tank/Cooler buoy (52), Tank (53), Shaker (54), Tank Tap (55).

See Figures 1 and 5. See section Podium Self Service/Tank (90) for information about your machine stand.

Speed Pro +Plus Tank Podium

Right cover side outlet (2), Left cover side outlet Pro +Plus (3+), Power cable (15), Protector cable (16), Automatic PulpOut System (42+), Tank juice container (50), Tank sub-filter (51), Tank/Cooler buoy (52), Tank (53), Shaker (54), Tank Tap (55).

See Figures 1+ and 5+. See section Podium Pro +Plus Self Service/Tank (90+) for information about your machine stand.

Speed Pro Cooler Podium

Right cover side outlet (2), Left cover side outlet (3), Power cable (15), Protector cable (16), Plastic juice container (30), Inner plastic filter (31), Plastic juice filter (32), Cooler Unit (70), Tank/Cooler Buoy (52).

See Figures 1 and 6. See section Podium Cooler (100) for information about your machine stand.

Drain&Clean System (80)

If you have a Podium model, your machine is equipped with the Drain&Clean system. This system facilitates cleaning and waste disposal by working as a drainage system from the feeder to the waste bin. Thus the machine it self will clean and remove waste automatically.

See Figures 7.1 and 7.2.

Podium Self Service/Podium Tank Podium (90), Podium Self Service Pro +Plus (90+), Podium Cooler (100)

All the stand components can be found inside the stand.



Assembly and detachment of components according to model

1. Assembly

Cover (1)

Line up the 3 holes of the cover with the 3 shaft knobs. Turn these 90° in clockwise direction (Fig. 10).

Right cover side outlet (2), Left cover side outlet (3), Left cover side outlet Pro +Plus (3+)

Make sure that the side outlets are fully mounted and correctly in place (Fig. 10).

The Side Outlets are not the same. Make sure you place the respective Side Outlet on the correct side.

Line up the lower part of the side outlet and put the upper part into place, turn the knob 90° to lock it into place.

Lower pressing unit (4), Upper pressing unit (5)

Place the pressing units in the shafts (Fig. 1).

If you have a Speed Pro +Plus then refer to the section *Extraction Unit (19+)*. Always mount the lower and upper pressing units of the same side at the same time to make it easier to position them.

Injection Plastic Securing Knob (6)

Screw in the knobs to secure the pressing units and the feeder plate (Fig. 1).

If you have a Speed Pro +Plus then refer to the section *Extraction Unit (19+)*.

Left peel ejector (7), Right peel ejector (8)

Place the ejectors on the respective side on the guides (Fig. 1).

If you have a Speed Pro +Plus then refer to the section *Extraction Unit (19+)*.

Blade holder (9)

Place the blade carefully on its guide and push inwards (Fig. 1).

Blade holder Pro +Plus (9+)

Place the blade carefully on its guide and push inwards (Fig. 1+).

Note: Always insert before inserting the Extraction Unit.

Feeder basket (13)

The feeder basket can be removed and re-attached facing guides and making a slight movement until it stops (Fig. 1).

Feeder basket door (14)

The feeder basket has an easy-to-open door to make it easier to fill the basket up with oranges (Fig. 1).

Power cable (15)

When you receive the machine, you must connect the cable to the machine base (Fig. 1).

Protector cable with 3 screws (16)

Fit to prevent the cable from being accidentally removed (Fig. 1).

Self Service/Tank Tray gasket 6.3 X 3.5 (17)

If required, this gasket can easily be removed for cleaning and fitted back in by hand (Fig. 1).

Tray bolt (18)

This component only has to be handled if a spare SS Juice container (40) or Tank juice container (50) is requested (Fig. 1). After inserting the spare container, adjust the bolt from the rear to adjust the container position.

Extraction unit (19+)

This device allows for easy insertion and removal of the pressing units and peel ejectors in just one step (**Fig. 1+**).

Before installation remember to insert the Blade holder Pro +Plus (9+).

To install, line up the pressing units with the shafts and adjust their position while sliding them in. Use the central knob to attach the device to the machine.

Note: To remove simply reverse the process.

Disassembly of the device

- a) Unscrew the Securing knob (6) which is between the pressing units and holds both of the metal holders (19.2+ and 19.2+).
- b) Carefully remove the Front holder (19.2+).
- c) Remove the Peel ejectors (7 and 8) and separate the lower (4) and upper (5) Pressing units.

See Figure 19+.

Assembly of the device

- a) Place the Rear holder (19.1) on a flat surface. The peel ejector brackets should be face down.
- b) Line the upper and lower pressing units up to each other. Put the circular bases of the pressing units into the holes in the holder. Remember that the pressing units are different to each other, ensure that they are installed as shown in the diagram.
- c) Fit the peel ejectors onto the metal holders of the unit leaving the extractor positioned on the lower pressing unit.
- d) Fit the Swivel buffer (19.3) of the Front holder (19.2) into the holes on the pressing units.
- e) Attach both holders with the Securing knob (6).

Note: For cleaning instructions for the juicing unit refer to the *Cleaning* section.

Plastic Juice Container (30)

Make sure that the sealing gasket is correctly mounted on the container (**Fig. 11**). Then place the container in the machine. Line up and place under the container on the four lugs that you will see on the machine (**Fig. 2**).

Plastic inner filter (31)

Place on the inside of the juice container (**Fig. 2**).

Plastic juicer filter (32)

Place on the inside of the juice container (**Fig. 2**).

Peel bucket (33)

Place the peel buckets under the cover side outlets (**Fig. 2 or 3 depending on model**).

Drip tray (34)

Place under the juice outlet (**Fig. 2 or 3 depending on model**).

Self Service Juice container (40)

Line up the container in the main opening. At the same time, line up the two side lugs at the ends of the container and press. Pressing the side buttons may help mount it (**Fig. 12**).

Self Service Sub-filter (41)

Place on the inside of the juice extraction container (**Fig. 3**).

Self Service/Tank Filter (42)

Line up the 2 rear openings with the 2 inner rear lugs of the container. Let the filter fall forwards and line up the front openings with the front lugs.

The filter rests on the SS Juice container (40) (**Fig. 3**) or Tank Juice container (50) (**Fig. 5**).

Automatic PulpOut System (42+)

With this device pulp and seeds will be removed automatically during the juicing process.

Assembly

- Place the rollers (42.1+) into the conveyor belt (42.2+).
- First place the left hand roller into the metal socket on the frame. Then stretch the belt and place the other roller into the right hand sockets. **(Fig. 20.1+)**.
- Insert the ribbon cover (42.4+) by first of all guiding the right hand side pivots into the slots on the frame (42.3+) **(Fig. 20.1+)**. Then rotate the cover until it rests completely on the frame in a horizontal position and press down until it clips into place.
- Press down lightly on the sides of the Side Cover (42.5+) and fit it into the holes on the left hand side of the Frame **(Fig. 20.1+)**. Ensure that the pivots have been inserted completely, and that the cover can rotate freely. Leave it in the vertical position.
- Fit the PulpOut System (42+) into the machine **(Fig. 20.2+)**. To do this, fit the left roller onto the drive shaft on the left side of the machine. Make sure that the assembly rests and is inserted into the pivots of the container.
- Turn the Anti-Splash Cap (42.6+) is in a vertical position. It is possible to remove the PulpOut System without removing the cover.

Note: This item must be in the horizontal position to mount or remove the cover.

For disassembly, follow the steps in reverse. See the *Cleaning* section for the correct maintenance of the Automatic PulpOut System.

See how it is fitted in various models:

Speed Pro +Plus Self Service (Fig. 3+).

Speed Pro +Plus Self Service Podium (Fig. 4+).

Speed Pro +Plus Tank Podium (Fig. 5+).

Pulp sweeper (43)

Make sure that the inner guide of the pulp sweeper is correctly mounted **(Fig. 13)**.

You can extract or insert the pulp sweeper by turning the side catch 90° **(Fig. 13)**.

Note: Make sure that the catch is in its closed position, so that the pulp sweeper can never accidentally drop from the filter.

Self Service Tap (44), Self Service Tap Pro +Plus (44+)

To mount the Self Service tap in the container, line up the rear lug and screw the floating nut on the rear of the tap **(Fig. 3 or 3+)**.

Note: Remember to thread the floating nut until you can not see the thread any more. If it is not positioned correctly, the tap sensor will not be activated.

Tap operation

You can make the tap work normally by pressing and releasing it to extract the juice **(Fig. 14 and 14+ (1))**. For the SS Tap (44) the button is on the inside on the SS Tap Pro +Plus (44+) the button is on the outside.

You can anchor the button in "free spout" position. To this end, turn the ring with the dotted/solid lines until the solid line coincides with the glass symbol. Release the button. This will secure it **(Fig. 14 and 14+ (2))**.

To release it, just press the button again **(Fig. 14 and 14+ (3))**.

For daily cleaning, you can remove the upper part of the tap and the inlet spout **(Fig. 14 and 14+ (4))**.

The Speed Pro +Plus Self Service Podium has a bottle support **(Fig. 14+ (5))** which can be removed by removing the two rear screws if necessary.

Detector tube gasket (46)

If required, this gasket can be removed for cleaning **(Fig. 3 or 4)**.

Machine supplement (47)

Use this supplement to raise the machine **(Fig. 3 or 3+)**.

! **Important! Never place the machine onto the supplement alone, it should always be done by at least two people.**

W Filter (48)

Optional filter with a manual pulp sweeper.



Tank Juice Container (50)

Line up the two side lugs at the ends of the container and press. Pressing the side buttons may help mount it (Fig. 15).

To remove the container, just press the side buttons and pull out towards you.

Tank Sub-filter (51)

Place on the inside of the juice extraction container (Fig. 5).

Tank/Cooler Buoy (52)

Tank Model

- If the support with buoy is loose, loosen the knobs on the support (Fig. 16 (1)).
- Line up the lugs on the support with the inside of the lid (Fig. 16 (2)).
- Tighten the knobs (Fig. 16 (2 and 3)).
- If a deep clean is necessary, remove the reverse the order of the previous steps and remove the shaft (Fig. 16 (4)).

Cooler or Tank model

Slacken the upper lugs. Line up the plate with the openings from below. Tighten the upper lugs again (Fig. 18).

Tank (53)

Use the thread to secure the Self Service tap to the Tank container (Fig. 17).

Tank Tap (55)

Use the thread to secure the Self Service Tap to the Tank container. Make sure that it is in upright position (Fig. 17.1).

The Tank Tap can work continuously or discontinuously. Just turn the handle 180° and it will be locked when the handle is lowered, thus permitting free spout.

For cleaning, you can remove the upper part of the Self Service Tap (Fig. 17.2).

Level detector (56)

This component only needs to be manipulated if a spare part is requested. Remember to place the detector in the same position as the original detector. If you have a Tank machine, the detector is located in the upper part; if you have a Cooler machine, it is located in the lower part (Fig. 5, 5+ y 6).

Cooler unit (70)

Place the cooler unit in its housing in the stand (Fig. 6).

Mount the components as indicated in Fig. 18 in this order.

- Mount the piston-gasket and the lever in the tank following the steps indicated in the enclosed drawing.
- Fit the tank.
- Adjust the pump lid inside the tank with the arrow pointing towards you.
- Secure the metal coupler plate, securing the tank with it.

Podium Self Service/Tank (90), Podium Self Service Pro +Plus (90+), Podium Cooler (100)

Machine placement on display stand:

! **Important!** This operation must be carried out by 2 or 3 people. It must never be attempted by just one person.

Lock the front wheels of the stand with the brake pedal to prevent it from moving during the installation.

After unpacking the stand, remove the screws from the fixing brackets and put them on one side for later. See detail "A" of Fig. 8.

The peel chutes and the drip tray of the stand with filter are located on the inside of the stand.

Place the machine on the stand, making the inside corners of the machine base coincide with the two rubber blocks of the stand. Thus, the fixing bracket holes will coincide with the machine holes. You can now secure the machine with the screws mentioned above (See Fig. 5 y 6).

Remember:

The machine and display stand are joined together with the screws supplied, as indicated



in this instructions manual.

Never try to tilt the machine or the stand. To move, unlock the wheels.

Individual features for Podium Self Service/Tank (90)

For the Self Service and Tank stands, secure the drip tray with its filter in the display stand.

Component 90.7 varies depending on the stand model purchased:

Self Service stand: Component SS stand filter (90.7A).

Tank stand: Component TANK tank guides (90.7B).

The position of components Tray front (90.8) and Tray filter (90.9), can be adjusted to be able to adapt them to different bottle and glass formats.

Individual features for Podium Self Service Pro +Plus (90+)

The (90+) Podium SS Pro +Plus has two independent waste bins.

Remember to insert both of them every time.

Individual features for Podium Cooler (100)

See Fig. 6 and 9.1 on how to fit the components correctly.

Pass the power cable of the Cooler unit through the hole on the rear door. To do this, you can unscrew the door if necessary (**Fig. 9.2**).

Drain&Clean System Installation

! **Important!** Unplug the machine from the wall socket.

Podium Self Service/Tank (90)

If fitted, remove the Peel chute (90.6), the SS stand filter (90.7A) and the Stand hopper (90.3) (**Fig. 8**). Open the front door. If it is connected then remove the Injection securing knob (6), and the Podium SS/Tank Lid (80.5).

Find the upper hole (**Fig. 7.2**) and insert your hand, taking hold of the Flexible tube (80.4) and placing it in the hole (**Fig. 7.1**). Do not pull or hold any other part of the machine.

Later, place the lower cover of the tube with the two securing knobs supplied and fit all the previously removed parts back on (**Fig. 7.2**).

See parts breakdown on how to fit the components (**Fig. 8**).

Podium Self Service Pro +Plus (90+)

Open the front doors and remove the waste bins (**Fig. 8+**). If it is connected then remove the Injection securing knob (6), and the Podium SS/Tank Lid (80.5).

Find the upper hole (**Fig. 7.2**) and insert your hand, taking hold of the Flexible tube (80.4) and placing it in the hole (**Fig. 7.1**). Do not pull or hold any other part of the machine.

Later, place the lower cover of the tube with the two securing knobs supplied and fit all the previously removed parts back on (**Fig. 7.2**).

See parts breakdown on how to fit the components (**Fig. 8+**).

2. Detachment

The components are detached in reverse order to that indicated in each section.



General operation

Once you have installed the machine correctly and before plugging it into the mains, confirm electrical data coincide with the electricity supply. If everything is correct, plug the machine into the mains.

To switch the machine on, press the green **ON** button. The LED of the **ON/OFF** button and the digital display of the machine will light up.

Before operating the machine with oranges, you must calibrate it without load. Enter the Calibration section of the CLIENT MENU, or leave the machine operating without load for approximately 1 minute until it comes to a stop.

To make sure the count is correct, you may have to adjust the Offset parameter after calibrating the machine.

Option 1: It does not count all of the oranges. Reduce the Offset value.

Option 2: It counts too many oranges. Increase the Offset value.

To do so, enter **MENU>5.Calibration>2.Offset** and adjust the value. Exit the Menu and check the count without load, with 2 or 3 oranges. Repeat the process again until you find the value that allows for a correct machine count.

To avoid possible counting errors, try not to stop the machine with an orange trapped between the upper and lower pressing units.

The orange counter is shown in all the models. (Deviation +-1%)

Remember to put a jug or glass under the juice outlet of your machine.

The machine will not work if any safety element is missing.

If necessary, you can always switch the machine off as follows:

- A** Release the actuator used. For example, the tap.
- B** Press the **STOP** button.
- C** Press the red **OFF** button.
- D** ONLY IN EMERGENCIES: Unplug the machine directly from the wall socket.
- E** If the machine does not detect oranges, it will stop approximately 60" after the last orange has passed through.

Loading the feeder

To load the machine feeder with oranges, you can open the Feeder basket (14) door and partially empty the box of oranges into it. Close the door and finish filling the basket.

Juice extraction unit

Make sure that all the elements that permit cutting the orange, extracting the juice and collecting it are mounted on the machine. To do this, consult the machine model purchased on the diagram indicated in section: *Unpacking and start-up. Assembly and detachment of components according to model.*

Check the state of the containers and filter to guarantee quality juice.

If you have a machine with Extraction Unit Pro +Plus (19+) you can remove and replace the extraction unit in just one step.

Juicing

If you have a machine with:

- Automatic PulpOut System (42+), the pulp and any seeds will be expelled from the left hand side of the machine.
- Pulp sweeper (43), use this from side to side, to deposit remains of pulp, seeds, etc. in the waste bins.
- SS Tap (44), SS Tap Pro +Plus (44) or Tank tap (55), read the instructions for use of the Self Service tap in section *Assembly and detachment of components according to model.*
- Automatic filling machine, the machine will stop automatically when it reaches maximum level. Remember to fit the Tank/Cooler buoy (2), following the assembly instructions. You will also have to select filling quantity.

Waste area

Make sure that the elements that collect the orange peel are correctly positioned.

Check if the tanks are getting full, to prevent the peel from flowing over.

You can also use the new function, **Waste Limit**, which enables you to programme an alarm so that the machine will stop when the waste bin is full.

You can select the number of oranges you want to squeeze before the alarm sounds. Once you have squeezed the amount of oranges programmed, the machine will stop and a warning will



appear on the display so that the operator knows the waste bin has to be emptied.
 If you have purchased a machine with Podium, the peel will fall directly into the Peel buckets
 To switch the alarm off, press the **OK** button for approximately 2" until it comes to a stop.

Remember!

- "Short OK", it doesn't switch off.
- "Long OK", double "beep", to switch off.

To switch the alarm off permanently, enter the **Waste Limit** section of the **CLIENT MENU**.
 If the machine is turned off or unplugged, the waste alarm will be eliminated and it will start from zero again.

Machine operation

General

The machine can operate in **Professional** or **Automatic** mode in all the models. To shift from one mode to another keep the **Mode** button pressed for a few seconds. Whenever you change from Automatic to Professional, you will be asked to program the number of oranges to be squeezed. If you do not want to change the quantity, just wait a few seconds or quickly press the **OK** button. If you wish to modify the quantity, press the + - buttons to select the quantity, and then the **OK** button until the **Saved** symbol appears.

Speed Pro Basic Model

<p>AUTOMATIC MODE From automatic mode:</p> <p> START Starts the machine</p> <p> STOP Stops the machine</p> <p>Uninterrupted operation.</p>	<p>PROFESSIONAL MODE</p> <p>Minimum number of oranges 1</p> <p>Maximum number of oranges 12</p> <p>Default value 3</p> <p>Operation until its reaches the quantity stipulated.</p>
---	---

**Speed Pro Self Service, Speed Pro +Plus Self Service
 Speed Pro Self Service Podium, Speed Pro +Plus Self Service Podium**

The **START** button is not active. It is only active in **MANUAL** mode.

<p>AUTOMATIC MODE</p> <p>Control from SS Tap (44)/ SS Tap Pro +Plus (44+).</p> <p>Uninterrupted operation, whilst the tap is pressed.</p>	<p>MANUAL MODE (If the tap does not work) The START button becomes active in Manual mode. In manual mode, it is still possible in Automatic and Professional mode from the keypad.</p> <p>"AUTOMATIC" MANUAL Uninterrupted operation.</p> <p>"PROFESSIONAL" MANUAL</p> <p>Minimum number of oranges 1</p> <p>Maximum number of oranges 12</p> <p>Default value 3</p> <p>The STOP button is always operative.</p>
<p>PROFESSIONAL MODE Control from tap whilst pressed.</p> <p>Minimum number of oranges 1</p> <p>Maximum number of oranges 12</p> <p>Default value 3</p>	



Tap Self Service (44), Tap Self Service Pro +Plus (44+)

You have purchased a multi-function tap. This enables you to produce juice either discontinuously or continuously without having to press the button.

See the different possibilities in: Assembly of components according to model, SS Tap (44), SS Tap Pro +Plus (44+).

Speed Pro Tank Podium (90), Speed Pro +Plus Tank Podium (90+), Speed Pro Cooler Podium (100)

Make sure that the Tank (53) or Tank (70.6) is placed as close as possible to the sensor on the base. Make sure that the buoy is placed correctly on the lid and that it moves freely (Fig. 5 and 6).

If the Tank/Cooler buoy (52) is not in place, the machine will not work (Fig. 16).

AUTOMATIC MODE	
When you connect the machine at the start of the day, select the START button for the machine to start up.	1
The machine starts to squeeze until the tank is full and the Level detector (56) does not find the Tank/Cooler buoy (52). The machine will stop then.	2
When the juice level gets low again, the machine will start up again, about 15" after it has not detected the buoy, and so on and so forth, in automatic mode.	3
The full or half full tank symbol will appear unless STOP has been pressed, indicating that although the machine is in automatic mode, it has stopped, waiting for the tank to be emptied, in order to re-start the filling process. When you press STOP , the symbol will disappear as the machine is no longer operating.	4

PROFESSIONAL MODE	
The machine will start up when you press START and will stop when the Level detector (56) does not find the Tank/Cooler buoy (52) or reaches the assigned volume. When the level drops, the machine will not start up again until you press START again.	1
It has 3 different filling volumes, according to your juice needs.	2

MANUAL MODE (In case the sensor does not work)	
If the Level detector (56) does not work, enter the menu and activate the MANUAL MODE . When you do this, you will be able to enjoy all the machine functions without the detector, until this is repaired.	
"AUTOMATIC" MANUAL	
Non stop operation.	1
"PROFESSIONAL" MANUAL	
Program the number of oranges to be squeezed. The machine will stop when it reaches the selected value or the STOP button is pressed.	
Remember! In manual mode, you must keep a watch over the juice level so that it never flows over, as level function has been annulled.	2

Speed Pro Cooler: Cooler Unit

Switch the cooler unit on by activating the switch on the left of the juice outlet. You can adjust the juice temperature with the control situated on the right. **Turn in clockwise direction for colder juice and anti-clockwise direction for less cold juice.**

Activate the tank lever to fill a glass or jug.

Important! Remember to switch off the Cooler unit (70) when you switch off the main machine to avoid unnecessary consumption.

Configuration

Your Zumex **Speed Pro or Speed Pro +Plus** juicer enables you to set parameters to your liking.

Use the electronic device to choose and program the operating mode of your machine. With it, you can control attributes and functionalities following the **MENUS** enclosed.

To enter the MENU press the **STOP** and **MODE** buttons for at least 2 seconds and enter the default PIN (0000).

After entering the menu, you can set:

LANGUAGE: You have a choice of 23 available languages.

PIN: See or change the current PIN so that nobody else can change the machine parameters.

COUNTER: See total or partial counter of the machine. Reset the partial counter, visible on the main screen. To reset the machine counter, press **STOP + START** for 3 seconds until the counter indicates 0000000.

Ascending or descending **CREDIT:** You can program the machine credit so the machine can be stopped, in ascending order or descending order, until the machine has been programmed again.

MODE LOCKING SYSTEM: You can get the machine to only work in Automatic or Professional and even so the number of oranges or volume to be squeezed cannot be changed, so that it only squeezes the quantity set by you.

MANUAL MODE (Help mode): Some machine models have an actuator or an auxiliary operating sensor. This can be annulled by selecting the **MANUAL** mode. [Self Service Model: SS tap. Tank (44), SS Tap Pro +Plus (44+) and Cooler Model: Level detector (56)].

WASTE LIMIT: You can activate an alarm so that the machine will stop when the desired number of oranges has been squeezed. Thus, you will know when the waste bin has to be emptied.

PULPOUT SYSTEM: You can activate the Automatic PulpOut System for automatic pulp and seed removal. You can choose between continuous and non-continuous modes.

Continuous mode, eliminates pulp whenever the machine is juicing. It means the system runs automatically and therefore means that you can go longer between cleans.

Non-continuous mode, means a longer amount of time for the pulp to be filtered. You can choose how often the system is activated depending on the type of fruit used and the quantity of pulp created. Fast frequency will mean that the system is activated more often.

The conveyor belt will run on the following settings:



What is more, you can activate the "Self cleaning" option which means that the belt will be cleaned automatically after the last juicing. In non-continuous mode the "Self cleaning" function will activate 30 seconds after the last use.

On your Display Digital, you will see symbols such as these:

	Continuous Mode
	Non-continuous Mode Intermediate
	Continuous Mode with "Self Cleaning"
	Non-continuous mode, high speed with "Self Cleaning"

The PulpOut system can always be stopped by pressing the **STOP** button. In continuous mode with "Self Cleaning" the **STOP** button must be pressed twice, once to stop the machine and the second time to stop the self cleaning.

CALIBRATION: You can calibrate the machine to guarantee that the machine count is correct at all times.

MACHINE STATUS: You have access to the different anomalies that a machine stoppage may have caused.

CONTRAST: You can adjust the brightness level on the display.

Remember! Within the CLIENT MENU mode:

"Short OK" to go down a level.

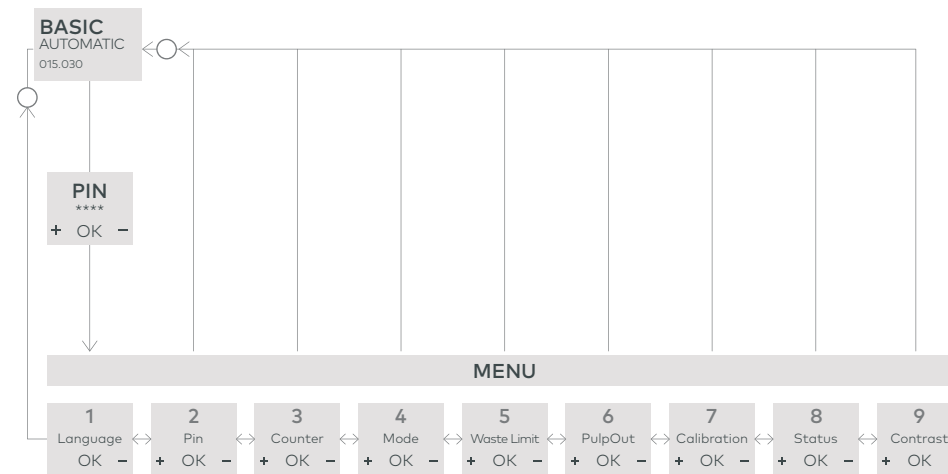
"Long OK" to go up a level.

"Long OK" to save data (The save symbol will appear).

To exit CLIENT MENU, you must go up the same number of levels you have gone down.

Menu diagram

Main menu



1	LANGUAGE. Select the language to operate the machine.	PULPOUT. Choose the mode for the Automatic PulpOut System.	6
2	PIN. See or change the PIN.	CALIBRATION. To calibrate the machine for correct count.	7
3	COUNTER. See total or partial counter of the machine.	STATUS. Access the different anomalies that a machine stoppage may have caused.	8
4	MODE. Select the working mode: automatic or professional.	CONTRAST. To adjust the brightness level on the display.	9
5	WASTE LIMIT. Activate a warning to know when to empty the waste bin.		



Cleaning

Zumex recommends cleaning the machine at least once or twice a day, depending on how much it is used in order to maintain optimal food hygiene conditions.

For correct cleaning you must follow the steps below:

- A** All of the plastic components are dishwasher safe, apart from the Speed Pro Cooler Juice Tank (70.6).
- B** Do not put the SS Tap (44), SS Tap Pro +Plus (44+) in the dishwasher as it can lead to premature oxidation of the stainless steel.

All models

- 1** Unplug the machine from mains.
- 2** For assembly and disassembly check the relevant section for each component found in the *Assembly and Disassembly section*.
- 3** Remove Side Outlets.
- 4** Remove the Cover.
- 5** Follow the instructions for the Assembly/disassembly of the various components dependent on model.

Speed Pro Basic, Speed Pro Self Service, Speed Pro Self Service Podium, Speed Pro Tank Podium, Speed Cooler Podium

- 6** Remove the blade-holder, pulling towards you from the handle.
- !** **Warning!** Handle this part with great care as you could cut yourself.
- 7** Extract the peel ejectors from their supports (**Fig. 1**)
- 8** Remove the pressing units by pairs, previously unscrewing the securing knobs (**Fig. 1**).
- 9** Remove the juice containers and filters; see the respective Figure according to model according to section *Unpacking and start-up*.

Speed Pro +Plus Self Service, Speed Pro +Plus Self Service Podium, Zumex Speed Pro +Plus Tank Podium

- 6*** Remove the Extraction Unit (19+).

There are two possibilities when cleaning:

- **Complete cleaning:** once the unit has been removed from the machine, get rid of extra pulp and peel if there is any washing it with water and if necessary a mild soap. The whole unit is also dishwasher safe.
- **Deep cleaning:** all of the components can be removed and can be cleaned individually. Zumex recommend this type of deep cleaning at least once a week depending on how much usage the machine gets.

- 7*** Remove the Blade holder Pro +Plus (9+) and clean it carefully taking care not to hurt yourself.
- 8*** Remove the PulpOut System (42+).
- 9*** To clean all of the components of the unit they should be removed and washed individually, this can be done by hand or in the dishwasher.

Things to remember

- C** Cleaning non-detachable elements. Use a damp cloth with lukewarm water and soap, and then rinse.
- D** Remember that although some parts are similar they must be mounted on different sides.
- E** Transparent parts and dish-washers: these parts can be washed in the dish-washer, although you must make sure you use the correct soap, salt and brightener so that the parts remain shiny and transparent.
- F** In models with tap: Unscrew the tap from the container, separate the button from the body to clean thoroughly. Remove taps as indicated in the sections: SS Tap (44), SS Tap Pro +Plus (44+), Tank Tap (55) of *Assembly and detachment of components according to model*.
- G** In models with the Drain&Clean System, Zumex recommends cleaning the inside of the tube with a large brush (**Fig. 7.1**) at the start of the feeding tube, at least once a week. This process will avoid any possible blockages.
- H** Feeding tube: Whether or not your machine has the Drain & Clean System, it is advisable to disassemble the turntable from the feeder for complete removal of wax and debris.
- I** For any area with difficult cleaning Access, we recommend using the brush (**Fig. 1**) included in the machine.



Accessories

There is a wide range of accessories available for you to make the most of your machine:

Extraction Unit

With this accessory you will be able to dismantle the machine in just 10 seconds and clean it under the tap or in the dishwasher.

*Accessory available for all of the Speed Pro +Plus range. Including juice extraction system.

Kit S

To juice fruit that has a diameter of 45 mm to 67 mm.

Kit L

To juice fruit that has a diameter of 75 mm to 95 mm.

DCS System

To juice soft or overripe citrus fruit.

Display Stand

So that you can keep your bottles of freshly squeezed juice ready to take away. Available in two sizes.

Contrabarra Kit

Integrates waste management keeping things practical and clean.

Bottle set

For self-service restaurants - bottles, glasses or jugs of juice can be distributed easily. Includes three trays (4 heights). It is integral to the podium and the whole set can be transported with ease.

Zumex Pack




Fresh drinks can be packaged for commercialization, especially freshly squeezed orange juice. There are 6 formats (1.5 l, 1 l, 75 cl, 50 cl, 33cl and 25 cl) and custom-made stickers.

Check www.zumex.com for more information on accessories for your machine.



Troubleshooting and tips

To eliminate an error, press **OK** briefly and check that the cause of the fault is corrected, as indicated in the table below.

ERROR 	POSSIBLE CAUSE 	ACTION 
01 Cover	Does not detect the cover safety device	Check cover placement Check side outlet placement Check magnet placement Check connected cables Check cover detector
02 Tray	Does not detect container	Check container placement Check wiring connection Check container detector
03 Motor power	The motor does not work at correct voltage	Check mains voltage Check electronics plate
04 Halt	Electricity cut	Check mains voltage cable Check inner connection of cables
05 Overcurrent	The motor has over-consumption	Check obstacles in juice extraction system Check fruit hardness Check motor Check cooling
06 No Float	Does not detect buoy	Position buoy correctly Position tank correctly Check wiring Check detector
07 Credit	Counter limit reached	Eliminate counter limit Reprogram counter limit
08 Waste Limit	Counter limit reached	Press "OK" for longer until you hear a double "beep"



zumex.com



ZUMEX PRESENTA

La ampliación de su serie más rápida y más robusta

Speed Pro y Speed Pro +Plus han sido diseñadas para atender grandes demandas de zumo. Los nuevos modelos están más preparados que nunca para ofrecer un servicio eficaz, seguro e impecable a restaurantes, cafeterías y supermercados.

Descubre su funcionamiento y sencillez de limpieza.

El siguiente Manual hace referencia a los modelos Speed Pro y Speed Pro +Plus.



Registra aquí
tu Speed Pro

Speed Pro

Manual de Usuario. Instrucciones originales.

En este manual encontrará todo lo necesario para el montaje y puesta en marcha de su nueva exprimidora de la serie Speed Pro o Speed Pro +Plus, además de información sobre su funcionamiento, características, accesorios, consejos y precauciones.

Por favor, lea detenidamente las instrucciones para sacarle el máximo rendimiento a su máquina.

ÍNDICE

- 3** ANEXO
- 70** INFORMACIÓN GENERAL IMPORTANTE
- 74** CARACTERÍSTICAS TÉCNICAS
- 75** INSTRUCCIONES DE UTILIZACIÓN
 - 75** PREPARACIÓN
 - 75** DESEMBALAJE Y PUESTA EN MARCHA
 - 78** MONTAJE Y DESMONTAJE DE LOS COMPONENTES SEGÚN MODELO
 - 88** FUNCIONAMIENTO GENERAL
 - 94** CONFIGURACIÓN
 - 98** LIMPIEZA
 - 100** ACCESORIOS
- 102** DETECCIÓN DE AVERÍAS Y CONSEJOS
- 211** DECLARACIÓN DE CONFORMIDAD UE

Zumex se reserva el derecho a modificar sin previo aviso la información contenida en este manual.



Información general importante

El presente manual hace referencia a los siguientes modelos Zumex

Modelos de sobremesa	Zumex Speed Pro Basic
	Zumex Speed Pro Self Service
	Zumex Speed Pro +Plus Self Service
Modelos con mueble	Zumex Speed Pro Self Service Podium
	Zumex Speed Pro +Plus Self Service Podium
	Zumex Speed Pro Tank Podium
	Zumex Speed Pro +Plus Tank Podium
	Zumex Speed Cooler Podium

Antes de comenzar, le recomendamos que tenga en cuenta las siguientes precauciones:

- Los datos específicos de su exprimidora Zumex (tensión, frecuencia, y otros datos de interés), se encuentran en la Etiqueta de Identificación que encontrará en la propia máquina.
- Recuerde que para cualquier consulta técnica, debe ponerse en contacto con su Distribuidor habitual / Servicio de Asistencia Técnica Oficial, mencionando siempre el Número de Serie de la Etiqueta de Identificación de la máquina.
- En el territorio español Zumex adopta las medidas necesarias para que las máquinas puestas en el mercado sean recogidas de manera selectiva y tengan una correcta gestión ambiental. Por favor, póngase en contacto con su distribuidor autorizado de Zumex para desechar correctamente estas máquinas.
- **No manipule la máquina para hacerla funcionar sin ningún elemento de seguridad.**
- Este aparato pueden utilizarlo niños con edad de 8 años y superior y personas con capacidades físicas, sensoriales o mentales reducidas o falta de experiencia y conocimiento, si se les ha dado la supervisión o formación apropiadas respecto al uso del aparato de una manera segura y comprenden los peligros que implica.
- Los niños deberían ser supervisados para asegurar que no juegan con el aparato.
- La limpieza y el mantenimiento a realizar por el usuario no deben realizarlos niños sin supervisión.

- Esta máquina contiene en la parte posterior un borne equipotencial para la conexión de la toma de tierra de otros aparatos a la toma de tierra de su instalación a través de ésta borna. En caso de utilizarla, afloje las tuercas y arandelas, coloque el cable de toma de tierra del aparato auxiliar y vuelva a apretar las tuercas y arandelas fuertemente. Dicho punto de equipotencialidad viene marcado por el símbolo siguiente:



- El aparato no debe ser limpiado con chorros de agua.
- Esta máquina está **diseñada para el exprimido de cítricos del tamaño indicado en este manual**: Naranja, Lima, Mandarina, Granadas, Pomelos.
- No utilice frutas diferentes a los especificados en el manual.
- Durante la limpieza, mantenimiento o sustitución de partes asegúrese que siempre tiene la clavija del cable de alimentación retirada de la toma de corriente y visible.
- Utilice los elementos de corte con mucho cuidado, para evitar posibles cortes.
- Las partes que están en contacto con alimentos deben ser limpiadas según las instrucciones que podrá leer en el capítulo de limpieza.

- Si el cable de alimentación está dañado, debe ser sustituido por un cable o conjunto especial a suministrar por el fabricante o por su servicio postventa.
- El cable se envía junto con un protector que evita la extracción accidental del cable, por favor asegúrese que coloca esta protección según se indica posteriormente en las instrucciones para garantizar la seguridad del aparato.

Las instrucciones pueden actualizarse. Puede consultar las instrucciones actualizadas en nuestra página web www.zumex.com, dentro del modelo de máquina escogido.

Si tiene cualquier sugerencia o comentario para mejorar nuestras máquinas o red de servicio, le agradeceríamos que contactase directamente con Zumex en la siguiente dirección:



ZUMEX GROUP, S.A.

Polígono Ind. Moncada III C/Molí 2. 46113 Moncada. Valencia. España.

Tel. +34 961 301 251 · Fax: +34 961 301 255

zumex@zumex.com / www.zumex.com

ZUMEX SERVICE

Tel. +34 960 800 999 · service@zumex.com



Características técnicas

Modelo	Peso		Dimensiones Ancho x Profundo x Alto	
Speed Pro Basic	64.7 Kg	142.4 lb	593x574x989 mm	23.35"x22.6"x38.94"
Speed Pro Self-Service	72.4 Kg	159.4 lb	593x658x1050 mm	23.35"x25.91"x41.34"
Speed Pro +Plus Self-Service	74.4 Kg	163.8 lb	593x675x1050 mm	23.35"x26.57"x41.34"
Speed Pro Self-Service Podium	119.6 Kg	262.8 lb	675x700x1765 mm	26.57"x27.56"x69.49"
Speed Pro +Plus Self-Service Podium	147.7 Kg	319 lb	854x734x1766 mm	33.62"x28.90"x69.53"
Speed Pro Tank Podium	119.1 Kg	262 lb	675x700x1765 mm	26.57"x27.56"x69.49"
Speed Pro +Plus Tank Podium	121.2 Kg	266.7 lb	675x700x1765 mm	26.57"x27.56"x69.49"
Speed Pro Cooler Podium	128.3 Kg	282.2 lb	675x727x1850 mm	26.57"x28.62"x72.83"

OTRAS CARACTERÍSTICAS (Para todos los modelos)

Tensión	120 V 60 Hz	220-240 V 50-60Hz
Potencia	300 W (560 W versión Cooler)	300 W (560 W versión Cooler)
Consumo	2.7 A (4.87 A versión Cooler)	1.2 A (2.4 A versión Cooler)
Naranjas por minuto	40	37/40
Frutas*	Naranjas, mandarinas, limas, pomelos, granadas.	
Tamaño fruta	65-81 mm (45-67 mm con Kit S)	
Capacidad alimentador	20 kg / 44 lb	
Protección	IPX4	
Nivel de presión acústica	Inferior a 70 dB(A)	

* Para el exprimido de otras frutas consulte siempre con su distribuidor más cercano.

Instrucciones de utilización

Preparación

Para comenzar a exprimir deberá seguir los siguientes pasos:

- 1 Desembale su exprimidora y colóquela sobre una superficie lo más horizontal posible.
 - 2 Asegúrese que la tensión de la red coincida con la indicada en la etiqueta de identificación de la máquina.
 - 3 Asegúrese que no hay obstáculos que le molesten en el proceso de desembalaje.
- ! Antes del primer uso, le recomendamos que limpie el sistema de exprimido.
Ver apartado "Limpieza".

Desembalaje y puesta en marcha

Siga las instrucciones indicadas según el modelo de máquina que ha adquirido. Los siguientes componentes pueden encontrarse sueltos y deben montarse en caso de que no lo estén:

Speed Pro Basic

Salida lateral cubierta derecha (2), Salida lateral cubierta izquierda (3), Cable alimentación (15), Protector cable (16), Cubeta zumo plástico (30), Filtro interior plástico (31), Filtro zumo plástico (32), Cubeta cortezas (33), Bandeja goteo (34).

Ver Figura 1 y 2.

Speed Pro Self Service

Salida lateral cubierta derecha (2), Salida lateral cubierta izquierda (3), Cable alimentación (15), Protector cable (16), Cubeta cortezas (33), Bandeja goteo (34), Cubeta zumo SS (40), Subfiltro SS (41), Filtro SS/Tank (42), Barredor de pulpa (43), Grifo SS (44), Suplemento máquina (47), Filtro W (48).

Ver Figura 1 y 3.



Speed Pro +Plus Self Service

Salida lateral cubierta derecha (2), Salida lateral cubierta izquierda Pro +Plus (3+), Cable alimentación (15), Protector cable (16), Cubeta cortezas (33), Bandeja goteo (34), Cubeta zumo SS (40), Subfiltro SS (41), Sistema PulpOut Automático (42+), Grifo SS Pro +Plus (44+), Suplemento máquina (47).

Ver Figura 1+ y 3+.

Speed Pro Self Service Podium

Salida lateral cubierta derecha (2), Salida lateral cubierta izquierda (3), Cable alimentación (15), Protector cable (16), Cubeta zumo SS (40), Subfiltro SS (41), Filtro SS/Tank (42), Barredor de pulpa (43), Grifo SS (44), Filtro W (48).

Ver Figura 1 y 4. Ver apartado Podium Self Service/Tank (90) para información sobre el mueble de su máquina.

Speed Pro +Plus Self Service Podium

Salida lateral cubierta derecha (2), Salida lateral cubierta izquierda Pro +Plus (3+), Cable alimentación (15), Protector cable (16), Cubeta zumo SS (40), Subfiltro SS (41), Sistema PulpOut Automático (42+), Grifo SS Pro +Plus (44+).

Ver Figura 1+ y 4+. Ver apartado Podium Pro +Plus Self Service (90+) para información sobre el mueble de su máquina.

Speed Pro Tank Podium

Salida lateral cubierta derecha (2), Salida lateral cubierta izquierda (3), Cable alimentación (15), Protector cable (16), Filtro SS/Tank (42), Barredor de pulpa (43), Filtro W (48), Cubeta zumo Tank (50), Subfiltro Tank (51), Boya Tank/Cooler (52), Tank (53), Agitador (54), Grifo Tank (55).

Ver Figura 1 y 5. Ver apartado Podium Self Service/Tank (90) para información sobre el mueble de su máquina.

Speed Pro +Plus Tank Podium

Salida lateral cubierta derecha (2), Salida lateral cubierta izquierda Pro +Plus (3+), Cable alimentación (15), Protector cable (16), Sistema PulpOut Automático (42+), Cubeta zumo Tank (50), Subfiltro Tank (51), Boya Tank/Cooler (52), Tank (53), Agitador (54), Grifo Tank (55).

Ver Figura 1+ y 5+. Ver apartado Podium Pro +Plus Self Service/Tank (90+) para información sobre el mueble de su máquina.

Speed Pro Cooler Podium

Salida lateral cubierta derecha (2), Salida lateral cubierta izquierda (3), Cable alimentación (15), Protector cable (16), Cubeta zumo plástico (30), Filtro interior plástico (31), Filtro zumo plástico (32), Conjunto enfriador (70), Boya Tank/Cooler (52).

Ver Figura 1 y 6. Ver apartado Podium Cooler (100) para información sobre el mueble de su máquina.

Conjunto Drain&Clean System (80)

En caso de que usted haya adquirido un modelo Podium, su máquina dispone de Sistema Drain&Clean. El sistema funciona a modo de desagüe desde el alimentador hasta el cubo de residuos en el interior de la máquina, por lo que le facilitará la limpieza y eliminación de residuos.

Ver Figura 7.1 y 7.2.

Podium Self Service/Podium Tank Podium (90), Podium Self Service Pro +Plus (90+), Podium Cooler (100)

En el interior del Podium se encuentran todos los componentes que forman el mueble.



Montaje y desmontaje de los componentes según modelo

1. Montaje

Cubierta (1)

Encare los 3 orificios de la cubierta con los 3 pomos de los ejes. Gire éstos últimos 90° en el sentido de las agujas del reloj **(Fig. 10)**.

Salida lateral cubierta derecha (2), Salida lateral cubierta izquierda (3), Salida lateral cubierta izquierda Pro +Plus (3+)

Asegúrese que las salidas laterales están completamente montadas y colocadas correctamente en su sitio **(Fig. 10)**.

Las Salidas laterales no son iguales. Asegúrese que coloca la Salida lateral correspondiente en el lado correcto.

Encare la parte inferior de la salida lateral y eleve la parte superior, asegurando el cierre con un giro de 90° del pomo.

Tambor macho plástico (4), Tambor hembra plástico (5)

Coloque los tambores en los ejes **(Fig. 1)**.

Si ha adquirido un modelo Speed Pro +Plus lea el apartado *Kit de Extracción (19+)*. Coloque siempre un tambor macho y un tambor hembra del mismo lado al mismo tiempo, para facilitar el encaje.

Volante plástico inyección (6)

Rosque los volantes para sujetar los tambores y el plato alimentador **(Fig. 1)**.

Si ha adquirido un modelo Speed Pro +Plus lea el apartado *Kit de Extracción (19+)*.

Cuña extractora izquierda (7), Cuña extractora derecha (8)

Coloque las cuñas en el lado correspondiente sobre las guías **(Fig. 1)**.

Si ha adquirido un modelo Speed Pro +Plus lea el apartado *Kit de Extracción (19+)*.

Portacuchillas (9)

Coloque con cuidado la cuchilla sobre su guía y pulse hacia el interior **(Fig. 1)**.

Portacuchillas Pro +Plus (9+)

Coloque con cuidado la cuchilla sobre su guía y pulse hacia el interior **(Fig. 1+)**.

Nota: Siempre se debe insertar antes de poner el Kit de extracción.

Cesta alimentador (13)

La cesta alimentador puede extraerse y volver a poner encarando las guías y realizando un ligero movimiento hasta notar el tope **(Fig. 1)**.

Puerta cesta alimentador (14)

La cesta alimentador dispone de una compuerta de fácil abertura para poder llenar de naranjas la cesta fácilmente **(Fig. 1)**.

Cable alimentación (15)

Al recibir la máquina, debe conectar el cable a la base de la máquina **(Fig. 1)**.

Protector cable con 3 tornillos (16)

Colocar para impedir la extracción accidental del cable **(Fig. 1)**.

Junta cubeta Self Service/Tank 6.3 X 3.5 (17)

Esta junta está adherida con adhesivo, en caso de cambiarla recuerde utilizar un adhesivo para su fijación **(Fig. 1)**.

Espárrago cubeta (18)

Este componente solo debe ser necesario manipularlo en caso de solicitar una Cubeta zumo SS (40) o Cubeta zumo Tank (50) de repuesto **(Fig. 1)**. Una vez insertada la cubeta de repuesto, ajuste el espárrago desde la parte posterior para ajustar la posición de la cubeta.



Kit de extracción (19+)

Este conjunto permite extraer e insertar los Tambores de exprimido y Cuñas extractoras en un solo paso (**Fig. 1+**).

Antes de su colocación recuerde insertar el Portacuchillas Pro +Plus (9+).

Para su colocación, encare los tambores con los ejes y ajuste la posición mientras acaba de introducirlos completamente. Utilice el volante central para atornillar el grupo a la máquina.

Nota: Para su desmontaje proceda en orden inverso.

Desmontaje del conjunto

- Desenrosque el Volante plástico inyección (6) que se encuentra tras los tambores y que sujeta ambos Soportes metálicos (19.1+ y 19.2+).
- Estire con cuidado del Soporte delantero (19.2+).
- Extraiga las Cuñas (7 y 8) y separe los Tambores macho (4) y Tambores hembra (5).

Ver Figura 19+.

Montaje del grupo

- Colocamos el Soporte trasero (19.1+) sobre una superficie. Los soportes de las cuñas deben quedar bocabajo.
- Empareje los tambores macho y hembra. Encaje las bases circulares de los tambores en los orificios del soporte. Tenga en cuenta que las caras de los tambores son diferentes. Asegúrese de que los monta tal y como muestra la figura.
- Encaje las cuñas sobre los soportes metálicos del kit dejando el extractor posicionado en la junta del tambor macho.
- Encaje los Pomos giratorios (19.3+) del Soporte delantero (19.2+) en los orificios de los tambores.
- Una ambos soportes con el Volante de plástico inyección (6).

Nota: Para la limpieza del grupo revise la sección *Limpieza*.

Cubeta zumo plástico (30)

Asegúrese que la junta de sellado está correctamente montada en la cubeta (**Fig. 11**). Luego posicione la cubeta en la máquina. Encare y coloque hacia abajo la cubeta sobre los cuatro salientes que observara en la máquina (**Fig. 2**).

Filtro interior plástico (31)

Deposite en el interior de la cubeta de exprimido (**Fig. 2**).

Filtro zumo plástico (32)

Deposite en el interior de la cubeta de exprimido (**Fig. 2**).

Cubeta cortezas (33)

Coloque las cubetas cortezas bajo las salidas laterales de la cubierta (**Fig. 2 o 3 según modelo**).

Bandeja goteo (34)

Coloque debajo de la salida de zumo (**Fig. 2 o 3 según modelo**).

Cubeta zumo Self Service (40)

Encare la cubeta en el orificio central. Al mismo tiempo, encare los dos salientes laterales que hay en los extremos de la cubeta y presione. Puede ayudar el montaje presionando los pulsadores laterales (**Fig. 12**).

Subfiltro Self Service (41)

Deposite en el interior de la cubeta de exprimido (**Fig. 3**).

Filtro Self Service/Tank (42)

Encare los 2 huecos traseros con los 2 salientes interiores traseros de la cubeta. Deje caer hacia adelante el filtro y encare los huecos delanteros con los salientes delanteros.

El filtro descansa sobre la Cubeta zumo SS (40) (**Fig. 3**) o la Cubeta zumo Tank (50) (**Fig. 5**).



Sistema PulpOut Automático (42+)

Con este conjunto podrá eliminar automáticamente la pulpa y las semillas durante el proceso de exprimido.

Montaje

- Inserte los Rodillos (42.1+) en la Cinta transportadora (42.2+).
- Coloque primero el rodillo del lado izquierdo en los casquillos metálicos del bastidor. Luego estire la cinta y coloque el otro rodillo en los casquillos derechos (**Fig. 20.1+**).
- Introduzca la Tapa de la cinta (42.4+) guiando primero los pivotes del lado derecho en las ranuras del Bastidor (42.3+)(**Fig. 20.1+**). Luego gire la tapa hasta que descansa completamente sobre el bastidor en posición horizontal y presiónela hasta que clipe.
- Presione ligeramente los laterales de la Tapa lateral (42.5+) y encaje en los orificios de la parte izquierda del Bastidor (**Fig. 20.1+**). Asegúrese que los pivotes se han insertado completamente, y que la tapa gira libremente. Deje en la posición vertical.
- Encaje el Sistema PulpOut (42+) en la máquina (**Fig. 20.2+**). Para ello encaje el rodillo izquierdo en el eje motor situado en la parte izquierda de la máquina. Asegúrese que el conjunto descansa y se inserta en los pivotes de la cubeta.
- Gire la Tapa salpicadura (42.6+) en su posición vertical. Puede desmontar el Sistema PulpOut sin necesidad de quitar la cubierta.

Nota: Esta pieza ha de estar en posición horizontal para montar la cubierta.

Para el desmontaje opere de manera inversa a la indica anteriormente. Vea el apartado de *Limpieza*, para el mantenimiento correcto del Sistema PulpOut Automático.

Puede ver su colocación en las respectivas máquinas:

Speed Pro +Plus Self Service (Fig. 3+).

Speed Pro +Plus Self Service Podium (Fig. 4+).

Speed Pro +Plus Tank Podium (Fig. 5+).

Barredor de pulpa (43)

Asegúrese que el casquillo de la guía interior del barredor de pulpa está correctamente montada (**Fig. 13**).

Puede extraer e insertar el barredor de pulpa girando el pestillo lateral 90° (**Fig. 13**).

Nota: Asegúrese que el pestillo está en su posición cerrada, para que el barredor de pulpa nunca caiga por accidente del filtro.

Grifo Self Service (44), Grifo Self Service Pro +Plus (44+)

Para montar el Grifo Self Service en la cubeta, encare el posicionador posterior y encájelo en el orificio de la rosca de la cubeta. Una vez insertado rosque la tuerca flotante que tiene el grifo en la parte posterior (**Fig. 3 y 3+**).

Nota: Recuerde rosar la tuerca flotante hasta dejar de ver los hilos de la rosca de la cubeta. Si no está situado correctamente no se activará el sensor del grifo.

Operativa grifo

Usted puede hacer funcionar el grifo normalmente pulsando y liberando para la extracción de zumo (**Fig. 14 y 14+ (1)**). En el Grifo SS (44) el pulsador se encuentra en la parte interior, en el grifo Grifo SS Pro +Plus (44+) el pulsador se encuentra en la parte exterior.

Puede anclar el pulsador en la posición de "caño libre". Para ello gire el anillo con las líneas discontinuas/continuas hasta que la línea continua esté sobre el icono del vaso. Suelte el pulsador. Éste quedará anclado (**Fig. 14 y 14+ (2)**).

Para eliminar el anclaje, simplemente vuelva a apretar el pulsador (**Fig. 14 y 14+ (3)**).

Para la limpieza diaria debe desmontar la parte superior del grifo y el caño de entrada (**Fig. 14 y 14+ (4)**).

La máquina Speed Pro +Plus Self Service Podium dispone de un soporte para botellas (**Fig. 14+ (5)**) que puede ser desmontado quitando los dos tornillos traseros en caso de que sea necesario.

Junta tubo detector (46)

En caso de necesidad esta junta se puede extraer para su limpieza (**Fig. 3 o 4**).

Suplemento máquina (47)

Suplemento para elevar las máquinas modelo Self Service (**Fig. 3 o 3+**).

! ¡Importante! La colocación de la máquina sobre el suplemento **nunca** debe realizarse por una única persona.

Filtro W (48)

Filtro opcional al filtro de zumo con Barredor manual de pulpa.

Cubeta zumo Tank (50)

Encare los dos salientes laterales que hay en los extremos de la cubeta y presione. Puede ayudar el montaje presionando los pulsadores laterales (**Fig. 15**).

Para desmontar la cubeta simplemente, presione los pulsadores laterales y estire hacia usted.

Subfiltro Tank (51)

Deposite en el interior de la cubeta de exprimido (**Fig. 5**).

Boya Tank/Cooler (52)

Modelo Tank

- En caso de que el soporte con boya esté suelta, afloje los pomos del soporte (**Fig. 16 (1)**).
- Encare los salientes del soporte por la parte inferior de la tapa (**Fig. 16 (2)**).
- Apriete los pomos (**Fig. 16 (2 y 3)**).
- Si necesita hacer una limpieza profunda, desmonte las piezas como se indica en orden inverso a los pasos anteriores y extraiga el eje según (**Fig. 16 (4)**).

Modelo Cooler o Tank

Afloje los salientes superiores. Encare la chapa en los orificios desde la parte inferior. Vuelva a apretar los salientes superiores (**Fig. 18**).

Tank (53)

Una vez cerrado deslice sobre las guías que contiene el mueble (**Fig. 5**).

Grifo Tank (55)

Utilice la rosca para fijar el Grifo SS a la cubeta Tank. Asegúrese que lo orienta de forma vertical (**Fig. 17.1**).

El Grifo Tank puede funcionar en modo continuo, o discontinuo, simplemente gire el tirador 180° y se quedará enclavado al bajar el tirador, permitiendo caño libre.

Para la limpieza puede desmontarse la parte superior del Grifo SS (**Fig. 17.2**).

Detector de nivel (56)

Este componente solo es necesario manipularlo en caso de pedir un repuesto. Recuerde colocar el detector en la misma posición que el detector original. Si usted dispone de una máquina Tank, el detector queda en la parte superior, si dispone de una máquina Cooler el detector queda en la parte inferior (**Fig. 5, 5+ o 6**).

Conjunto enfriador (70)

Coloque la unidad enfriadora en su alojamiento en el mueble (**Fig. 6**).

Monte los componentes según **Fig. 18** este orden:

- Monte el pistón-junta y la palanca en el depósito siguiendo los movimientos numerados según dibujo adjunto.
- Coloque el depósito.
- Ajuste la tapa bomba en el interior del depósito con la flecha apuntando hacia usted.
- Fije la placa de enganche metálico asegurando con ella el depósito.

Podium Self Service/Tank (90), Podium Self Service Pro +Plus (90+), Podium Cooler (100)

Colocación de máquina sobre Podium:

! ¡Importante! Esta operación debe ser realizada por 2 ó 3 personas. Nunca debe realizarse por una única persona.

Bloquee con el pedal de freno las ruedas delanteras del podium para así evitar que se mueva durante la instalación.

Una vez desmontado el podium, retire los tornillos de las escuadras de sujeción y resérvelos para más tarde. Ver detalle "A" de **Fig. 8**.



En el interior del mueble se encuentran las caídas de cortezas y la bandeja de goteo del Podium con su filtro.

Sitúe la máquina sobre el mueble, haciendo coincidir las esquinas interiores de la base de la máquina con los dos tacos de goma del mueble, de ese modo coincidirán los agujeros de las escuadras de fijación con los de la máquina. Ahora podrá fijar la máquina con los tornillos antes reservados **(Ver Fig. 5 o 6)**.

Recuerde:

La máquina y el podium están unidos por los tornillos suministrados según se indica en este manual de instrucciones.

Nunca intente inclinar la máquina y el podium. Para desplazar desbloquee las ruedas.

Particularidades para Podium Self Service/Tank (90)

Para los Podiums Self Service y Tank fije la bandeja goteo con su filtro en el mueble.

El componente 90.7 varía según el modelo de Podium comprado:

Podium Self Service: Componente Filtro Podium SS (90.7A).

Podium Tank: Componente Guías depósito Tank (90.7B).

En los componentes Frontis bandeja (90.8) y Filtro bandeja (90.9) se puede regular la posición para poder adaptarse a diferentes formatos de botellas y vasos.

Particularidades para Podium Self Service Pro +Plus (90+)

El Podium SS Pro +Plus (90+) contiene dos cubos de residuos independientes.

Recuerde siempre colocar los dos cubos.

Particularidades para Podium Cooler (100)

Ver Fig. 6 y 9.1 para la correcta colocación de los componentes.

Pase el cable de tensión del Conjunto enfriador por el agujero de la compuerta posterior. Para ello puede desenroscar la compuerta si es necesario **(Fig. 9.2)**.

Instalación Drain&Clean System

¡Importante! Desenchufe la máquina de la pared.

Podium Self Service/Tank (90)

Si estuviera colocado, quite la Caída cortezas (90.6), el Filtro Podium SS (90.7A) y la Tolva Podium (90.3) **(Fig. 8)**. Abra la puerta delantera. Si estuviera colocado, quite los Volantes Plástico Inyección (6), y la Tapa Podium SS/Tank (80.5).

Busque el agujero superior **(Fig. 7.2)**, e introduzca la mano cogiendo el Tubo flexible (80.4) y colocando en el agujero **(Fig. 7.1)**. No estire o sujete ninguna otra parte de la máquina.

Posteriormente coloque la tapa inferior del tubo con los dos volantes suministrados, y vuelva a colocar todas las piezas desmontadas previamente **(Fig. 7.2)**.

Ver explosionado para la colocación de los componentes **(Fig. 8)**.

Podium Self Service Pro +Plus (90+)

Abra las puertas delanteras y extraiga los cubos residuos **(Fig. 8+)**. Si estuviera colocado, quite los Volantes Plástico Inyección (6), y la Tapa Podium SS/Tank (80.5).

Busque el agujero superior **(Fig. 7.2)**, e introduzca la mano cogiendo el Tubo flexible (80.4) y colocando en el agujero **(Fig. 7.1)**. No estire o sujete ninguna otra parte de la máquina.

Posteriormente coloque la tapa inferior del tubo con los dos volantes suministrados, y vuelva a colocar todas las piezas desmontadas previamente **(Fig. 7.2)**.

Ver explosionado para la colocación de los componentes **(Fig. 8+)**.

2. Desmontaje

El desmontaje de los componentes se realiza en orden inverso al indicado en cada apartado.



Funcionamiento general

Una vez instalada la máquina correctamente y antes de conectarla a la red verifique los datos eléctricos con el suministro eléctrico. Si todo es correcto, proceda a enchufar la máquina a la tensión de red.

Para encender la máquina, pulse el botón verde **ON**, en ese momento se encenderá el LED del botón **ON/OFF**, y el display digital de la máquina.

Antes de operar la máquina con naranjas, debe realizar un calibrado de la máquina en vacío. Para ello debe entrar en el apartado de Calibrado dentro del MENÚ CLIENTE, o bien dejar la máquina funcionando en vacío durante 1 minuto aproximadamente hasta que ésta se detenga.

Para un correcto conteo, puede ser necesario que posteriormente ajuste el parámetro Offset. En caso de un conteo incorrecto, proceda de la siguiente forma:

Caso 1: No cuenta todas las naranjas. Reduzca el valor de Offset.

Caso 2: Cuenta demasiadas naranjas. Aumente el valor de Offset.

Entre en **MENU> 7.Calibrado> 2.Offset** y ajuste el valor. Salga del Menú y compruebe el conteo en vacío, con 2 o 3 naranjas. Vuelva a repetir el proceso hasta encontrar el valor que permite el correcto conteo de la máquina.

Para evitar posibles errores en el conteo, procure evitar dejar la máquina parada con una naranja atrapada entre el tambor macho y hembra.

En todos los modelos se muestra el contador de naranjas. (Desviación +-1%)

Recuerde utilizar una jarra o vaso en la salida del zumo de su máquina.

En caso de faltar algún elemento de seguridad, la máquina no funcionará hasta que usted lo haya colocado.

En caso de necesidad, usted siempre podrá apagar la máquina de la siguiente forma:

- A** Liberando el accionador usado. Por ejemplo el grifo.
- B** Apretando la tecla **STOP**.
- C** Apretando el botón rojo **OFF**.
- D** **Sólo en caso de emergencia:** Desenchufando la máquina directamente desde la pared.
- E** Si la máquina no detecta naranjas, ésta parará aproximadamente a los 60" desde el paso de la última naranja.

Carga del alimentador

Para cargar el alimentador de la máquina con naranjas, puede abrir la Puerta cesta alimentador (14) y vaciar parcialmente la caja de naranjas. Cierre la puerta y termine de llenar la caja.

Unidad de exprimido

Asegúrese que la máquina tiene montados todos los elementos que permiten el corte de la naranja, el exprimido del zumo y la recogida de éste. Para ello consulte el modelo de máquina comprado con el gráfico indicado en los apartados: *Desembalaje y puesta en marcha. Montaje y desmontaje de los componentes según modelo.*

Revise el estado de las cubetas y filtro para garantizar un zumo de calidad.

Si ha comprado una máquina con Kit de Extracción Pro +Plus (19+) podrá introducir y extraer el conjunto de exprimido unidos en un solo paso.

Servicio de zumo

Si dispone de una máquina con:

- Sistema PulpOut Automático (42+), la pulpa y los restos de semillas se eliminarán por el lado izquierdo de la máquina.
- Barredor de pulpa manual (43) utilice el cepillo para tirar los restos de pulpa y semillas deslizándolo a través del filtro hasta los cubos de residuos.
- Grifo SS (44), Grifo SS Pro +Plus (44+) o Grifo Tank (55), lea las instrucciones de uso del Grifo SS en el apartado *Montaje y desmontaje de los componentes según modelo.*
- Llenado automático, la máquina parará automáticamente al llegar al nivel máximo. Recuerde colocar Boya Tank/Cooler (52) en el sitio, siguiendo las instrucciones de montaje. También podrá seleccionar cantidad de llenado.

Área residuos

Asegúrese que los elementos que recogen las cortezas de las naranjas están colocados correctamente en su sitio.

Revise el llenado de los depósitos para evitar rebosamiento de las cortezas.

Además puede utilizar la funcionalidad **Nivel Residuos** (Waste Limit), que le permite programar una alarma para que la máquina se pare cuando el cubo de residuos esté lleno.



Usted puede seleccionar con qué número de naranjas exprimidas quiere que salte la alarma. Una vez se ha exprimido la cantidad de naranjas programadas, se paraliza la máquina y el Display muestra un aviso para que el operario sepa que tiene que vaciar el cubo de residuos.

Si ha adquirido una máquina con Podium, las cortezas caerán directamente al Cubo cortezas.

Para desactivar el aviso de residuos, pulse el botón **OK** durante al menos 2", hasta que se detenga.

¡Recuerde!

"Ok corto", no desactiva el aviso.

"Ok largo", doble beep, para desactivar el aviso.

Para desactivar este sistema de aviso de forma permanente, entre en el apartado **Nivel residuos** dentro del **MENÚ CLIENTE**.

En caso de apagar o desenchufar la máquina la alarma de residuos se eliminará, y volverá a empezar desde cero.

Accionamiento de la máquina

General

En todos los modelos, usted podrá operar la máquina de forma **Profesional** o de forma **Automática**. Para pasar de un modo a otro, mantenga la tecla **Mode** apretado unos instantes. Siempre que pase de modo Automático a Profesional le pedirá que programe el número de naranjas a exprimir. En caso de no querer modificar la cantidad simplemente espere unos segundos o presione rápidamente la tecla **OK**. En caso de querer modificar la cantidad, presione las teclas +- para seleccionar la cantidad, y luego presione la tecla **OK** hasta que aparezca el símbolo de **Grabado**.

Modelo Speed Pro Basic

MODO AUTOMÁTICO

Desde el modo automático:

 **START** Inicia la máquina

 **STOP** Para la máquina

Funcionamiento ininterrumpido.

MODO PROFESIONAL

Mínimo de naranjas  1

Máximo de naranjas  12

Valor por defecto  3

Funcionamiento hasta llegar a la cantidad estipulada.

Speed Pro Self Service, Speed Pro +Plus Self Service Speed Pro Self Service Podium, Speed Pro +Plus Self Service Podium

La tecla **START** no está activa. Únicamente lo está en el modo **MANUAL**.

MODO AUTOMÁTICO

Control desde el Grifo SS (44)/
Grifo SS Pro +Plus (44+).

Funcionamiento ininterrumpido,
mientras el grifo está pulsado.

MODO PROFESIONAL

Control desde el grifo mientras está pulsado.

Mínimo de naranjas  1

Máximo de naranjas  12

Valor por defecto  3

MODO MANUAL (En caso de que el grifo no funcione)

En Modo Manual la tecla **START** pasa a estar activa.

En el modo manual sigue pudiendo operar
en modo Automático y Profesional desde el teclado.


MANUAL "AUTOMÁTICO"

Funcionamiento ininterrumpido.

MANUAL "PROFESIONAL"

Mínimo de naranjas  1

Máximo de naranjas  12

Valor por defecto  3

La tecla **STOP** siempre está operativa.

Grifo Self Service (44), Grifo Self Service Pro +Plus (44+).

Usted ha adquirido un grifo multifunción. Le permite suministrar zumo de manera discontinua o de forma continua sin necesidad de estar apretando el pulsador.

Vea las diferentes posibilidades en: Montaje y desmontajes de los componentes según modelo, Grifo SS (44), Grifo SS Pro +Plus (44+).

Speed Pro Tank Podium (90), Speed Pro +Plus Tank Podium (90+), Speed Pro Cooler Podium (100)

Asegúrese siempre que el Tank (53) o Depósito (70.6) está colocado lo más próximo posible al sensor que se encuentra en la base. Asegúrese que la boya está colocada en la tapa de forma correcta y se mueve libremente (Fig. 5 y 6).

Si la Boya Tank/Cooler (52) no está colocada, la máquina no funcionará (Fig. 16)

MODO AUTOMÁTICO	1
Cuando se conecta la máquina al inicio del día se selecciona el botón START para que la máquina se ponga en marcha.	
La máquina empieza a exprimir hasta que el depósito se llena y el Detector de nivel (56) no encuentra la Boya Tank/Cooler (52). En ese momento la máquina se parará.	2
Cuando vuelva a bajar el nivel de zumo la máquina se volverá a poner en marcha después de haber pasado unos 15" desde que no detecta la boya, y así sucesivamente en modo automático.	3
Mientras no se ha apretado STOP aparecerá el dibujo del tanque lleno o semilleno, indicando que aunque la máquina está en modo automático, está parada esperando a que se vacíe el tanque, para volver a iniciar el proceso de llenado. Al apretar STOP desaparece el dibujo, y la máquina ya no está funcionando.	4

MODO PROFESIONAL

La máquina se pondrá en marcha al pulsar **START** y se parará cuando el Detector de nivel (56) no encuentre la Boya Tank/Cooler (52) o alcance el volumen asignado. Cuando vuelva a bajar el nivel la máquina no se pondrá en marcha hasta que se vuelva a pulsar **START**.

1

Dispone de 3 volúmenes diferentes de llenado, según sus necesidades de zumo.

2

MODO MANUAL (En caso de que el sensor no funcione)

En caso de que el Detector de nivel (56) no funcionase, se debe entrar en el menú y activar el **MODO MANUAL**. Al hacer esto, podrá disponer de toda la funcionalidad de la máquina sin el detector, hasta que éste sea reparado.

MANUAL "AUTOMÁTICO"

Funcionamiento ininterrumpido.

1

MANUAL "PROFESIONAL"

Programa la cantidad de naranjas a exprimir. La máquina parará al llegar al valor seleccionado o al apretar la tecla **STOP**.

¡Recuerde! En modo manual debe vigilar el nivel de zumo para que nunca desborde, puesto que la función de nivel esta anulada.

2

Speed Pro Cooler: Unidad de enfriamiento

Encienda el grupo enfriador accionando el interruptor que se encuentra a la izquierda en la salida de zumo del depósito. Puede regular la temperatura del zumo mediante el regulador situado a la derecha, gírelo en **sentido horario para más frío y en contra del sentido horario para menos frío**.

Accione la palanca del depósito para llenar un vaso o una jarra.

! ¡Importante! Recuerde apagar el Conjunto enfriador (70) al apagar la máquina principal para evitar consumos innecesarios.

Configuración

Su exprimidora Zumex **Speed Pro o Speed Pro +Plus** le permite ajustar parámetros según sus preferencias.

Usted puede elegir y programar el modo de funcionamiento de su máquina utilizando el dispositivo electrónico. Con él, podrá controlar atributos y funcionalidades siguiendo los **MENÚS** que se adjuntan.

Para entrar en el **MENÚ** debe apretar las teclas **STOP** y **MODE** durante al menos 2" e introducir el PIN por defecto (0000).

Una vez dentro usted podrá configurar:

IDIOMA: Puede seleccionar entre uno de los 23 idiomas disponibles.

PIN: Ver o cambiar el PIN actual para que nadie cambie ningún parámetro de la máquina.

CONTADOR: Ver el contador total o parcial de la máquina. Resetear el contador parcial visible en la pantalla principal. Para resetear el contador de la máquina pulse la tecla **STOP+START** durante 3" hasta que el contador se haya puesto a 0000000.

CRÉDITO ascendente o descendente: Usted podrá programar el crédito de la máquina, con lo cual la máquina se podrá detener al alcanzar el límite de crédito, ascendente o descendente, hasta que se vuelva a programar la cantidad.

BLOQUEO DE MODO: Usted puede hacer que la máquina funcione únicamente en modo Automático, Profesional e incluso que no se puedan cambiar el número de naranjas o volumen a exprimir para que se exprima únicamente la cantidad fijada por usted.

MODO MANUAL (Modo de auxilio): En aquellos modelos de máquina que tienen un accionador o un sensor de funcionamiento auxiliar, puede anularse seleccionando el modo **MANUAL**. [Modelo Self Service: Grifo SS (44). Modelo Tank y Cooler: Detector de nivel (56)].

NIVEL RESIDUOS: Podrá activar una alarma para que se pare la máquina cuando se haya exprimido la cantidad de naranjas deseada, de esta forma sabrá cuando tiene que vaciar el cubo de residuos.

SISTEMA PULPOUT: Podrá activar el Sistema PulpOut Automático para la eliminación automática de pulpa y semillas. Puede elegir entre el modo de uso continuo o discontinuo.

El **modo continuo**, elimina la pulpa durante todo el tiempo de exprimido. Alarga la autonomía del sistema, y por tanto, el tiempo de uso antes de su limpieza.

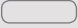



El **modo discontinuo**, permite un tiempo de filtrado de pulpa más extenso. Puede elegir la frecuencia a la que se activa el sistema, dependiendo del tipo de cítrico utilizado y la cantidad de pulpa. Una frecuencia rápida, activará el sistema en intervalos de tiempo menor.

De este modo, la cinta se pondrá en marcha, dependiendo del programa que elija, después de los siguientes ciclos de exprimido:



Además puede activar la función "Auto limpieza", que permite que se limpie la cinta automáticamente después del último exprimido. En el modo discontinuo, la función "Auto limpieza" se activa 30 segundos después del último exprimido.

En el display, estos son algunos ejemplos de representación:

	Funcionamiento continuo
	Funcionamiento discontinuo velocidad intermedia
	Funcionamiento continuo con función "Auto Limpieza"
	Funcionamiento discontinuo, velocidad rápida con función "Auto Limpieza"

En cualquier situación en que el Sistema PulpOut esté funcionando, apretando la tecla **STOP** se detendrá. En funcionamiento continuo con "Auto Limpieza" es necesario pulsar dos veces la tecla **STOP**, una para detener la maquina, y otra para detener la autolimpieza.

CALIBRADO: Usted puede realizar un calibrado de la máquina para el correcto conteo de la máquina en cualquier momento.

ESTADO DE LA MÁQUINA: Usted tiene acceso a las distintas anomalías que hayan podido causar un paro en la máquina.

CONTRASTE: Puede graduar la intensidad del brillo del display.

¡Recuerde! Dentro del modo MENÚ CLIENTE:

"Ok corto" para bajar de nivel.

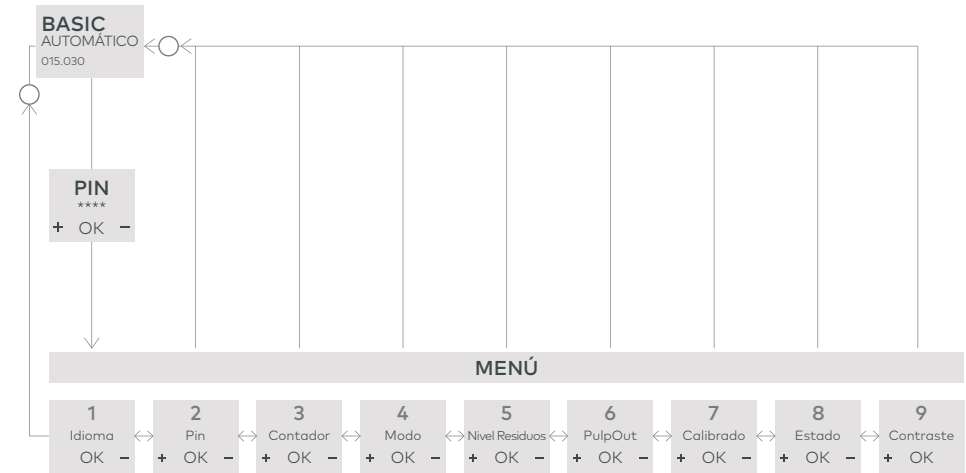
"Ok largo" para subir de nivel.

"Ok largo" para grabar un dato (Aparecerá el símbolo de grabado).

Para salir del MENÚ CLIENTE, debe ascender tantos niveles como haya descendido.

Diagrama de menús

Menú principal



1	IDIOMA. Elegir el idioma para operar la máquina.	PULPOUT. Seleccione el modo de funcionamiento del Sistema PulpOut Automático	6
2	PIN. Ver o cambiar el PIN	CALIBRADO. Para realizar un calibrado de la máquina para un correcto conteo.	7
3	CONTADOR. Ver el contador total o parcial de la máquina.	ESTADO. Acceder a las distintas anomalías que hayan podido causar un paro en la máquina.	8
4	MODO. Seleccione el modo de trabajo: automático o profesional.	CONTRASTE. Para graduar la intensidad del brillo del Display.	9
5	NIVEL RESIDUOS. Activar un aviso para saber cuándo vaciar el cubo de residuos.		

Limpieza

Zumex recomienda limpiar la máquina al menos 1 o 2 veces al día, dependiendo de su uso, para mantener las condiciones de higiene alimentarias.

Para una correcta limpieza deberá seguir los siguientes pasos:

- A** Todas las piezas plásticas son aptas para su lavado en lavavajillas, excepto el Depósito Zumo Speed Pro Cooler (70.6).
- B** Para evitar una oxidación prematura del Acero inoxidable no se recomienda lavar en el lavavajillas los Grifo Self Service (44), Grifo Self Service Pro +Plus (44+).

Todos los modelos

- 1** Desconecte la máquina de red.
- 2** Para el montaje y desmontaje lea el apartado de cada componente indicado dentro del capítulo *Montaje y desmontaje de los componentes según modelo*.
- 3** Desmonte las Salidas Laterales.
- 4** Desmonte la cubierta.
- 5** Montaje y desmontaje de los componentes según modelo.

Speed Pro Basic, Speed Pro Self Service, Speed Pro Self Service Podium, Speed Pro Tank Podium, Speed Cooler Podium

- 6** Desmonte el portacuchillas tirando hacia usted desde el asa.
- !** **¡Atención!** Maneja esta pieza con mucho cuidado, ya que podría cortarse.
- 7** Saque de sus soportes las cuñas extractores de cortezas (**Fig. 1**)
- 8** Desmonte los tambores de exprimido por parejas, desenroscando previamente los volantes que los sujetan (**Fig. 1**).
- 9** Desmonte las cubetas y filtros de zumo, según modelo vea la figura correspondiente, según apartado *Desembalaje y puesta en marcha*.

Speed Pro +Plus Self Service, Speed Pro +Plus Self Service Podium, Zumex Speed Pro +Plus Tank Podium

- 6+** Desmonte el Kit de extracción (19+) de la máquina.

Es posible realizar dos tipos de limpieza:

- **Limpieza del kit completo:** una vez extraído el kit de la máquina, elimine los posibles restos de pulpa y corteza lavando con agua y si es necesario con jabón suave. También es posible introducir en lavavajillas montado y proceder a su lavado.
- **Limpieza en profundidad:** todos los componentes son desmontables de forma individual para una limpieza más exhaustiva de piezas. Zumex recomienda una limpieza profunda del kit de extracción, al menos una vez por semana dependiendo del uso de la máquina.

- 7+** Desmonte el Portacuchillas Pro +Plus (9+) y proceda a su limpieza con cuidado de no dañarse con el filo.
- 8+** Desmonte el Sistema PulpOut Automático (42+).
- 9+** Para la correcta limpieza de todos los elementos del conjunto, éstos deben ser desmontados y lavados individualmente. Puede realizarse de forma manual o en lavavajillas.

Consideraciones

- C** Limpieza de los elementos no desmontables: utilizar una bayeta con agua tibia con agua y jabón, para su posterior aclarado.
- D** Recuerde que hay piezas que aun siendo parecidas se montan en diferentes lados.
- E** Piezas transparentes y lavavajillas: el lavado de estas piezas en el lavavajillas es posible, aunque debe cuidar el uso correcto de jabón, sal y abrillantador para que las piezas no pierdan brillo y transparencia.
- F** En modelos con grifo: Desenrosque el grifo de la cubeta, separe el pulsador del cuerpo para una limpieza homogénea. Recuerde desmontar los grifos para una limpieza en profundidad según se indica en los apartados: Grifo SS (44), Grifo SS Pro +(44+), Grifo Tank (55) de *Montaje y desmontaje de los componentes según modelo*.
- G** En los modelos con Sistema Drain&Clean, Zumex recomienda realizar una limpieza del interior del tubo, introduciendo el cepillo largo (**Fig. 7.1**) por la abertura del alimentador, al menos una vez por semana. Este proceso evitará posibles atascos de la zona.
- H** Alimentador: Tanto si su modelo dispone de Sistema Drain&Clean System, como si no, es conveniente desmontar el plato giratorio del alimentador para la completa eliminación de cera y restos de suciedad.
- I** Para cualquier zona con difícil acceso de limpieza, le recomendamos utilice el cepillo (**Fig. 1**) incluido en la máquina.



Accesorios

Encontrará una amplia gama de accesorios con los que configurar su exprimidora según sus necesidades:

Kit de extracción

Con este accesorio podrás desmontar el grupo de exprimido en sólo 10" y dejar tu máquina lista para seguir funcionando con el otro Kit.

*Accesorio disponible para todos los modelos Speed Pro +Plus. Incluye grupo de exprimido.

Kit S

Para procesar fruta con un calibre desde 45 mm y hasta 67 mm.

Kit L

Para procesar fruta con un calibre desde 75 mm y hasta 95 mm.

Sistema DCS

Para exprimir cítricos blandos o muy maduros.

Podium Display

Para que tengas siempre tus botellas de zumo recién exprimido frescas y listas para llevar. Disponible en dos tamaños.

Kit Contrabarra

Integra la gestión de residuos en barra de la forma más práctica y limpia.

Conjunto botellero

Para contextos de autoservicio, permite distribuir botellas, copas o vasos. Incluye tres bandejas (preparado con 4 alturas). Queda integrada en el pódium y permite transportar todo el conjunto con facilidad.

Zumex Pack

Permite envasar bebidas frescas para su comercialización, especialmente el zumo de naranja recién exprimido. Hay 6 formatos (1.5 l, 1 l, 75 cl, 50 cl, 33cl y 25 cl) y adhesivos personalizables.

Consulte en la web de Zumex www.zumex.com la información sobre los accesorios que puede acoplar a su máquina.



Detección de averías y consejos

Para eliminar un error, pulse la tecla **OK** brevemente, y compruebe que corrige el causante del fallo según se indica en la tabla inferior.

ERROR 	CAUSA POSIBLE 	ACCIÓN 
01 Cubierta	No detecta la Seguridad de la cubierta	Verificar colocación cubierta Verificar colocación Salida Lateral Verificar colocación imán Verificar cables conectados Verificar detector cubierta
02 Cubeta	No detecta cubeta	Verificar colocación cubeta Verificar conexión cableado Verificar detector cubeta
03 Motor Red	El motor no funciona a una tensión correcta	Verificar Tensión de red Verificar Placa electrónica
04 Interrupción	Corte eléctrico	Verificar cable tensión de red Verificar conexionado interior de los cables
05 Sobrecorriente	El motor realiza un sobreconsumo	Verificar obstáculos en el sistema de exprimido Verificar la dureza de la fruta Verificar motor Verificar refrigeración
06 Sin Boya	No detecta boya	Colocar boya correctamente Colocar tanque correctamente Verificar cableado Verificar detector
07 Crédito	Límite contador alcanzado	Eliminar límite contador Reprogramar límite contador
08 Nivel Residuos	Límite contador alcanzado	Pulsar OK largo hasta escuchar doble "beep"



zumex.com



ZUMEX PRESENTE

L'élargissement de sa série la plus rapide et la plus robuste

Speed Pro et Speed Pro +Plus ont été conçus pour répondre aux fortes demandes en jus. Les nouveaux modèles sont mieux préparés que jamais pour offrir un service efficace, fiable et impeccable à des restaurants, cafétérias et supermarchés.

Découvrez leur fonctionnement et leur simplicité d'entretien.

Le présent manuel s'applique aux modèles Speed Pro et Speed Pro +Plus.



Enregistrez votre
Speed Pro ici

Speed Pro

Manuel de l'utilisateur. Instructions originales.

Dans ce manuel, vous trouverez tout ce dont vous avez besoin pour l'installation et la mise en service de votre nouveau presse-agrume de la série Speed Pro ou Speed Pro +Plus, ainsi que des informations sur son fonctionnement, ses caractéristiques, ses accessoires, des conseils et les précautions à prendre.

Veillez lire attentivement ce manuel pour tirer le meilleur profit de votre Speed Pro et faites la différence.

SOMMAIRE

- 3 ANNEXE
- 106 INFORMATIONS IMPORTANTES, GENERALITES
- 110 CARACTERISTIQUES TECHNIQUES
- 111 INSTRUCTIONS D'UTILISATION
 - 111 PREPARATION
 - 111 DEBALLAGE ET MISE EN MARCHÉ
 - 114 MONTAGE ET DEMONTAGE DES COMPOSANTS SELON LE MODELE
 - 124 FONCTIONNEMENT GENERAL
 - 130 CONFIGURATION
 - 134 NETTOYAGE
 - 136 ACCESSOIRES
- 138 DETECTION DES PANNES ET CONSEILS
- 211 EU DÉCLARATION DE CONFORMITÉ

Zumex se réserve le droit de modifier sans préavis les informations contenues dans le présent manuel.



Informations importantes, généralités

Le présent manuel s'applique aux modèles Zumex suivants

Modèles de table	Zumex Speed Pro Basic
	Zumex Speed Pro Self Service
	Zumex Speed Pro +Plus Self Service
Modèles intégrés dans un meuble	Zumex Speed Pro Self Service Podium
	Zumex Speed Pro +Plus Self Service Podium
	Zumex Speed Pro Tank Podium
	Zumex Speed Pro +Plus Tank Podium
	Zumex Speed Cooler Podium

Avant de commencer, merci de prendre connaissance des informations suivantes:

- Les données spécifiques concernant votre presse-agrumes Zumex (tension, fréquence et autres données importantes) figurent sur la Plaque signalétique qui se trouve sur l'appareil.
- Nous rappelons pour toute question technique, vous devez contacter votre Distributeur habituel / Service d'assistance technique officiel en rappelant toujours le Numéro de série qui figure sur la Plaque signalétique de la machine.
- Zumex a adopté les mesures nécessaires pour que les machines commercialisées soient reprises dans le cadre du tri des déchets conformément aux bonnes pratiques de gestion de l'environnement. Merci de contacter votre distributeur agréé Zumex pour mettre au rebut ces machines conformément aux procédures établies.
- **Ne pas manipuler la machine ou la faire fonctionner en l'absence de l'un quelconque des éléments de sécurité.**
- Cet appareil peut être utilisé par des enfants de 8 ans ou plus, ou des personnes dont les capacités physiques, sensorielles ou mentales sont réduites ou par des personnes manquant d'expérience et de connaissance, du moment qu'elles soient sous surveillance ou qu'elles aient reçu les instructions adéquates quant au fonctionnement de l'appareil en toute sécurité.
- Surveiller les enfants afin de s'assurer qu'ils ne jouent pas avec l'appareil.
- Le nettoyage et la maintenance à réaliser par l'utilisateur ne doivent pas être réalisés par des enfants sans la surveillance d'un adulte.

- Une borne équipotentielle est prévue à l'arrière de la machine en vue du raccordement d'autres appareils à la terre de votre installation. Pour l'utiliser, il suffit de desserrer les écrous et les rondelles, de mettre le câble de terre de l'appareil auxiliaire puis de resserrer fermement les écrous et les rondelles. Ce point d'équipotentialité est indiqué par le symbole suivant:



- L'appareil ne doit pas être nettoyé au jet d'eau.
- Cette machine a été **conçue pour presser des agrumes dont les dimensions sont indiquées dans le présent manuel**: oranges, citrons, mandarines, grenades et pamplemousses.
- Il ne faut pas utiliser des fruits autres que ceux indiqués dans le manuel.
- Lors des opérations de nettoyage, de maintenance ou de remplacement de pièces, il faut toujours s'assurer que la prise du câble d'alimentation a été débranchée. Cette dernière doit être visible.
- Il faut faire attention aux parties coupantes afin d'éviter tout risque de coupures.
- Les parties qui sont en contact avec les aliments doivent être nettoyées selon les indications du chapitre relatif au nettoyage.

- Si le câble d'alimentation est abîmé, il devra être remplacé par un câble ou un ensemble spécial qui sera fourni par le fabricant ou son service après-vente.
- Le câble est fourni avec une protection qui empêche le débranchement accident du câble. Veillez à bien installer cette protection en suivant les indications du mode d'emploi en vue de garantir la sécurité de l'appareil.

Les indications du mode d'emploi pourront faire l'objet de mises à jour. Vous pouvez les consulter sur notre site www.zumex.com, dans le volet du modèle choisi.

Si vous avez des suggestions ou des commentaires à faire afin d'améliorer nos machines ou notre réseau de service, merci de contacter directement Zumex à l'adresse suivante:

ZUMEX GROUP, S.A.

Polígono Ind. Moncada III C/Molí 2. 46113 Moncada. Valencia. Espagne.

Tel. +34 961 301 251 · Fax: +34 961 301 255

zumex@zumex.com / www.zumex.com

ZUMEX SERVICE

Tel. +34 960 800 999 · service@zumex.com



Caractéristiques techniques

Modèle	Poids		Dimensions Largeur x Profondeur x Hauteur	
Speed Pro Basic	64.7 Kg	142.4 lb	593x574x989 mm	23.35"x22.6"x38.94"
Speed Pro Self-Service	72.4 Kg	159.4 lb	593x658x1050 mm	23.35"x25.91"x41.34"
Speed Pro +Plus Self-Service	74.4 Kg	163.8 lb	593x675x1050 mm	23.35"x26.57"x41.34"
Speed Pro Self-Service Podium	119.6 Kg	262.8 lb	675x700x1765 mm	26.57"x27.56"x69.49"
Speed Pro +Plus Self-Service Podium	147.7 Kg	319 lb	854x734x1766 mm	33.62"x28.90"x69.53"
Speed Pro Tank Podium	119.1 Kg	262 lb	675x700x1765 mm	26.57"x27.56"x69.49"
Speed Pro +Plus Tank Podium	121.2 Kg	266.7 lb	675x700x1765 mm	26.57"x27.56"x69.49"
Speed Pro Cooler Podium	128.3 Kg	282.2 lb	675x727x1850 mm	26.57"x28.62"x72.83"

D'AUTRES CARACTÉRISTIQUES (Pour tous les modèles)

Tension	120 V 60 Hz	220-240 V 50-60Hz
Puissance	300 W (560 W Cooler)	300 W (560 W Cooler)
Consommation	2.7 A (4.87 A Cooler)	1.2 A (2.4 A Cooler)
Oranges par minute	40	37/40
Fruits*	Oranges, mandarines, citrons, pamplemousses, grenades.	
Taille des fruits	65-81 mm (45-67 mm avec Kit S)	
Capacité du chargeur	20 kg / 44 lb	
Protection	IPX4	
Niveau de pression acoustique	Inférieur 70 dB(A)	

* Pour les autres fruits pressés toujours vérifier auprès de votre revendeur le plus proche.

Instructions d'utilisation

Préparation

Avant de commencer le pressage, vous devez suivre les étapes suivantes:

- 1 Déballez l'appareil et placez-le sur une surface qui soit la plus horizontale possible.
 - 2 Assurez-vous que la tension d'alimentation correspond à celle indiquée sur la plaque signalétique de la machine que vous trouverez sur l'appareil.
 - 3 Assurez-vous que rien ne vous gêne au cours du processus de déballage.
- ! Avant la première utilisation, nous vous recommandons de nettoyer le système de pressage. Voir section « Nettoyage ».

Deballage et mise en marche

Suivez les instructions indiquées, en fonction du modèle de machine que vous avez acheté. Les composants suivants peuvent être livrés en pièces détachées et doivent être assemblés s'ils ne le sont pas déjà :

Speed Pro Basic

Sortie latérale capot droite (2), Sortie latérale capot gauche (3), Câble d'alimentation (15), Protecteur câble (16), Bac à jus en plastique (30), Filtre intérieur en plastique (31), Filtre à jus en plastique (32), Bac à déchets (33), Bac antigouttes (34).

Voir Figures 1 et 2.

Speed Pro Self Service

Sortie latérale capot droite (2), Sortie latérale capot gauche (3), Câble d'alimentation (15), Protecteur câble (16), Bac à déchets (33), Bac antigouttes (34), Bac à jus SS (40), Sous-filtre SS (41), Filtre SS/Tank (42), Balayeuse à pulpe (43), Robinet SS (44), Accessoire de levage machine (47), Filtre W (48).

Voir Figures 1 et 3.



Speed Pro +Plus Self Service

Sortie latérale capot droite (2), Sortie latérale capot gauche Pro +Plus (3+), Câble d'alimentation (15), Protecteur câble (16), Bac à déchets (33), Bac antigouttes (34), Bac à jus SS (40), Sous-filtre SS (41), Système PulpOut automatique (42+), Robinet SS (44), Robinet SS Pro +Plus (44+) Accessoire de levage machine (47).

Voir Figures 1+ et 3+.

Speed Pro Self Service Podium

Sortie latérale capot droite (2), Sortie latérale capot gauche (3), Câble d'alimentation (15), Protecteur câble (16), Bac à jus SS (40), Sous-filtre SS (41), Filtre SS/Tank (42), Balayeuse à pulpe (43), Robinet SS (44), Filtre W (48).

Voir Figures 1 et 4. Voir section Podium Self Service/Tank (90) pour plus d'informations concernant le meuble de votre machine.

Speed Pro +Plus Self Service Podium

Sortie latérale capot droite (2), Sortie latérale capot gauche Pro +Plus (3+), Câble d'alimentation (15), Protecteur câble (16), Bac à jus SS (40), Sous-filtre SS (41), Système PulpOut automatique (42+), Robinet SS Pro +Plus (44+)

Voir Figures 1+ et 4+. Voir section Podium Pro +Plus Self Service (90+) pour plus d'informations concernant le meuble de votre machine.

Speed Pro Tank Podium

Sortie latérale capot droite (2), Sortie latérale capot gauche (3), Câble d'alimentation (15), Protecteur câble (16), Filtre SS/Tank (42), Balayeuse à pulpe (43), Robinet SS (44), Filtre W (48), Bac à jus Tank (50), Sous-filtre Tank (51), Flotteur Tank/Cooler (52), Tank (53), Mélangeur (54), Robinet Tank (55).

Voir Figures 1 et 5. Voir section Podium Self Service/Tank (90) pour plus d'informations concernant le meuble de votre machine.

Speed Pro +Plus Tank Podium

Sortie latérale capot droite (2), Sortie latérale capot gauche Pro +Plus (3+), Câble d'alimentation (15), Protecteur câble (16), Système PulpOut automatique (42+), Bac à jus Tank (50), Sous-filtre Tank (51), Flotteur Tank/Cooler (52), Tank (53), Mélangeur (54), Robinet Tank (55).

Voir Figures 1+ et 5+. Voir section Podium Pro +Plus Self Service/Tank (90+) pour plus d'informations concernant le meuble de votre machine.

Speed Pro Cooler Podium

Sortie latérale capot droite (2), Sortie latérale capot gauche (3), Câble alimentation (15), Protecteur câble (16), Bac à jus en plastique (30), Filtre intérieur en plastique (31), Filtre à jus en plastique (32), Ensemble refroidisseur (70), Flotteur Tank/Cooler (52).

Voir Figures 1 et 6. Voir paragraphe Podium Cooler (100) pour plus d'informations sur le meuble de votre machine.

Ensemble Drain&Clean System (80)

Si vous avez acheté un modèle Podium, votre machine dispose d'un Système Drain&Clean. Il s'agit d'un système de vidange qui relie le distributeur au bac à déchets situé à l'intérieur de la machine, ce qui facilite le nettoyage et l'élimination des déchets.

Voir Figure 7.1 et 7.2.

Podium Self Service/Podium Tank Podium (90), Podium Self Service Pro +Plus (90+), Podium Cooler (100)

Tous les composants faisant partie du meuble se trouvent à l'intérieur du podium.



Montage et démontage des composants selon le modèle

1. Montage

Capot (1)

Placez les 3 trous du capot sur les 3 boutons des axes. Tournez ces derniers à 90° dans le sens des aiguilles d'une montre (**Fig. 10**).

Sortie latérale capot droite (2), Sortie latérale capot gauche (3), Sortie latérale capot gauche Pro +Plus (3+)

Veillez à ce que les sorties latérales soient entièrement montées et bien en place (**Fig. 10**).

Les sorties latérales ne sont pas identiques. Assurez-vous de placer la sortie latérale correspondante sur le côté qui lui est destiné.

Placez le bas de la sortie latérale et soulevez la partie supérieure, puis tournez le bouton à 90°.

Tambour mâle plastique (4), Tambour femelle plastique (5)

Placez les tambours sur leurs axes (**Fig. 1**). Si vous avez choisi un modèle Speed Pro+Plus, veuillez lire le paragraphe *Kit d'extraction (19+)*.

Placez toujours un tambour mâle et un tambour femelle du même côté et de manière simultanée pour qu'ils s'emboîtent plus facilement.

Ecrou papillon plastique injection (6)

Vissez l'écrou papillon pour fixer les tambours et le plateau chargeur (**Fig. 1**).

Si vous avez choisi un modèle Speed Pro+Plus, veuillez lire le paragraphe *Kit d'extraction (19+)*.

Extracteur d'écorce gauche (7), Extracteur d'écorce droite (8)

Placez les extracteurs d'écorce sur les guides du côté correspondant (**Fig. 1**).

Si vous avez choisi un modèle Speed Pro+Plus, veuillez lire le paragraphe *Kit d'extraction (19+)*.

Porte-lames (9)

Placez avec précaution la lame sur le guide correspondant et appuyez vers l'intérieur (**Fig. 1**).

Porte-lames Pro +Plus (9+)

Placez avec précaution la lame sur le guide correspondant et appuyez vers l'intérieur (**Fig. 1+**).

Important : Doit être toujours inséré avant de placer le kit d'extraction.

Panier chargeur (13)

Le panier chargeur peut être retiré puis remis en place en l'assemblant avec les guides et en réalisant un léger mouvement jusqu'à sentir la limite (**Fig. 1**).

Porte du panier chargeur (14)

Le panier chargeur est doté d'une porte facile à ouvrir et permettant de remplir très facilement le panier à oranges (**Fig. 1**).

Câble d'alimentation (15)

Dès réception de la machine, vous devez brancher le câble au socle de la machine (**Fig. 1**).

Protecteur de câble à 3 vis (16)

Son installation permet d'empêcher le débranchement accidentel du câble (**Fig. 1**).

Joint bac Self Service/Tank 6.3 x 3.5 (17)

Ce joint est fixé avec de l'adhésif, en cas de remplacement veuillez à utiliser un adhésif pour le fixer de nouveau (**Fig. 1**).

Goujon bac (18)

La manipulation de ce composant n'est nécessaire qu'en cas de commande d'un Bac à jus SS (40) ou d'un Bac à jus Tank (50) de rechange (**Fig. 1**). Une fois le bac de rechange inséré, ajustez le goujon par l'arrière pour régler la position du bac.



Kit d'extraction Pro +Plus (19+)

Cet ensemble permet d'extraire et d'insérer les tambours de pressage et extracteurs d'écorce en une seule étape (**Fig. 1+**).

Avant de le placer, veillez à insérer le Porte-lames Pro +Plus (9+).

Pour le placer, fixez les tambours dans les axes et ajustez la position jusqu'à les introduire complètement. Utilisez l'écrou papillon central pour visser l'ensemble à la machine.

Note : Pour le démonter, procédez dans l'ordre inverse.

Démontage de l'ensemble

- Dévissez l'Écrou papillon en plastique (6) situé derrière les tambours et qui fixe les deux supports en métal (19.1+ et 19.1+).
- Tirez soigneusement sur le Support avant (19.2+).
- Retirez les Extracteurs (7 et 8) et séparez les Tambours mâle (4) et Tambours femelle (5).

Voir figure 19+.

Montage de l'ensemble

- Placez le Support arrière (19.1+) sur une superficie. Les supports des extracteurs doivent demeurer la tête en bas.
- Assemblez les Tambours mâle et femelle. Fixez les bases circulaires des tambours dans les orifices du support. Veuillez noter que les côtés face des tambours sont différents. Veillez à les monter tel qu'enseigné sur le schéma.
- Fixez les extracteurs sur les supports métalliques du kit et les positionnant sur la jointure du tambour mâle.
- Fixez les Boutons rotatifs (19.3+) du Support avant (19.2+) dans les orifices des tambours.
- Assemblez les deux supports à l'aide l'Écrou papillon en plastique (6).

Important : Pour le nettoyage de l'unité de pressage, veuillez consulter la section « Nettoyage ».

Bac à jus en plastique (30)

Assurez-vous que le joint de fermeture est bien monté sur le bac (**Fig. 11**). Puis placez le bac dans la machine. Placez et logez le bac en bas sur les quatre pitons visibles sur la machine (**Fig. 2**).

Filtre intérieur en plastique (31)

Placez le filtre à l'intérieur du bac de pressage (**Fig. 2**).

Filtre à jus en plastique (32)

Placez le filtre à l'intérieur du bac de pressage (**Fig. 2**).

Bac à déchets (33)

Placez les bacs à déchets sous les sorties latérales du capot (**Fig. 2 ou 3 selon le modèle**).

Bac antigouttes (34)

Placez le bac antigouttes sous la sortie du jus (**Fig. 2 ou 3 selon le modèle**).

Bac à jus Self Service (40)

Placez le bac dans le trou situé au milieu. En même temps, mettez face au logement correspondant les deux pitons situés aux extrémités du bac et appuyez. Le montage sera plus facile si vous appuyez sur les boutons poussoirs latéraux (**Fig. 12**).

Sous-Filtre Self Service (41)

Placez le sous-filtre à l'intérieur du bac de pressage (**Fig. 3**).

Filtre Self Service/Tank (42)

Placez les deux trous arrière sur les 2 pitons intérieurs arrière du bac. Laissez tomber le filtre vers l'avant de manière à ce que les deux trous avant s'insèrent sur les deux pitons avant.

Le filtre s'appuie sur le Bac à jus SS (40) (**Fig. 3**) ou le Bac à jus Tank (50) (**Fig. 5**).

Système PulpOut automatique (42+)

Cet ensemble permet d'éliminer automatiquement la pulpe et les pépins pendant le processus de pressage.

Montage

- Placez les Rouleaux (42.1+) sur le Tapis Roulant (42.2+).
- Placez le premier rouleau du côté gauche dans les douilles métalliques du châssis. Tirez ensuite sur la bande et placez l'autre rouleau dans les douilles situées à droite (**Fig. 20.1+**).
- Introduisez le Couvercle de la bande (42.4+) en plaçant premièrement les pivots du côté droit dans les fentes du Châssis (42.3+) (**Fig. 20.1+**). Tournez ensuite le couvercle jusqu'à ce qu'il repose complètement sur le châssis en position horizontale et appuyez dessus jusqu'à encastrer le clip.
- Appuyez légèrement sur les côtés du Couvercle latéral (42.5+) et placez-le dans les orifices de la partie gauche du Châssis (**Fig. 20.1+**). Veillez à ce que les pivots soient bien insérés et que le couvercle tourne librement. Conservez l'ensemble en position verticale.
- Placez l'Ensemble PulpOut (42+) dans la machine (**Fig. 20.2+**). Pour ce faire, placez le rouleau gauche dans l'essieu moteur situé sur la partie gauche de la machine. Veillez à ce que l'ensemble repose et soit inséré sur les pivots du bac.
- Tournez le Couvercle anti-projections (42.6+) en position verticale. Le Système PulpOut peut être démonté sans besoin d'enlever le capot.

Note: Cette pièce doit être en position horizontale pour monter le capot.

Pour le démontage, opérez dans l'ordre inverse. Consultez la section « *Nettoyage* » pour entretenir correctement le Système PulpOut automatique.

Il peut être placé dans les machines suivantes :

Speed Pro +Plus Self Service (Fig. 3+).

Speed Pro +Plus Self Service Podium (Fig. 4+).

Speed Pro +Plus Tank Podium (Fig. 5+).

Balayeuse à pulpe (43)

Assurez-vous que le guide intérieur de la balayeuse à pulpe est correctement monté (**Fig. 13**).

Vous pouvez extraire et insérer la balayeuse à pulpe en tournant le verrou latéral de 90° (**Fig. 13**).

Remarque. Veillez à ce que le verrou soit en position fermée, afin que la balayeuse à pulpe ne tombe jamais accidentellement du filtre.

Robinet Self Service (44), Robinet Self Service Pro +Plus (44+)

Pour monter le robinet Self Service dans le bac, insérez le piton arrière dans l'orifice de l'écrou du bac. Une fois inséré, vissez l'écrou flottant situé à l'arrière du robinet (**Fig. 3 et 3+**).

Important : Veillez à visser l'écrou flottant jusqu'à ne plus voir les rainures de l'écrou du bac. S'il n'est pas correctement placé, le capteur du robinet ne s'activera pas.

Fonctionnement du robinet

Vous pouvez utiliser le robinet normalement en appuyant sur le bouton poussoir pour faire sortir le jus (**Fig. 14 et 14+ (1)**). Le bouton presseur du Robinet SS (44) se trouve à l'intérieur, celui du Robinet SS Pro +Plus (44+) est situé à l'extérieur.

Vous pouvez verrouiller le bouton presseur en position « écoulement libre ». Pour ce faire, tournez l'anneau à lignes continues/discontinues jusqu'à ce que la ligne continue se retrouve face à l'icône du verre. Relâchez le bouton presseur. Celui-ci restera verrouillé (**Fig. 14 et 14+ (2)**).

Pour déverrouiller, appuyez de nouveau sur le bouton presseur (**Fig. 14 et 14+ (3)**).

Pour le nettoyage quotidien, vous devez démonter la partie supérieure du robinet et le tuyau d'arrivée (**Fig. 14 et 14+ (4)**).

La machine Speed Pro +Plus Self Service Podium dispose d'un support pour bouteilles (**Fig. 14 et 14+ (5)**), qui peut être démonté en retirant les deux vis situées à l'arrière en cas de besoin.

Joint tube détecteur (46)

Si nécessaire, ce joint peut être extrait pour être nettoyé (**Fig. 3 ou 4**).

Supplément pour lever la machine (47)

Utilisez cet accessoire pour lever la machine (**Fig. 3 ou 3+**).

! **Important!** L'installation de la machine sur l'accessoire d'élévation ne doit **jamais** être réalisée par une personne seule.

Filtre W (48)

Filtre additionnel en option pour le filtre à jus avec balayeuse de pulpe manuelle.



Bac a jus Tank (50)

Insérez les deux pitons latéraux situés à l'extrémité du bac et appuyez. Vous pouvez vous aider en appuyant sur les boutons poussoirs latéraux (Fig. 15).

Pour démonter le bac, appuyez sur les boutons poussoirs latéraux et tirez vers vous.

Sous-Filtre Tank (51)

Placez le sous-filtre à l'intérieur du bac de pressage (Fig. 5).

Flotteur Tank/Cooler (52)

Modele Tank

- Au cas où le support avec flotteur serait détaché, desserrez les boutons du support (Fig. 16 (1)).
- Introduisez les pitons du support dans la partie inférieure du couvercle (Fig. 16 (2)).
- Resserrez les boutons (Fig. 16 (2 et 3)).
- Si vous avez besoin de réaliser un nettoyage en profondeur, démontez les pièces tel qu'indiqué dans l'ordre inverse puis retirez l'essieu (Fig. 16 (4)).

Modele Cooler ou Tank

Dévissez les pitons du haut. Insérez la plaque dans les trous par en-dessous. Revissez les pitons du haut (Fig. 18).

Tank (53)

Glissez-le après fermeture, sur les guides du meuble (Fig. 5).

Robinet Tank (55)

Utilisez le filetage pour fixer le robinet Self Service au bac du Tank. Assurez-vous qu'il soit orienté verticalement (Fig. 17.1).

Le robinet Tank peut fonctionner en mode continu ou discontinu, il suffit de tourner la poignée de 180° pour le verrouiller dès que l'on baisse la tirette, ce qui libère la buse.

Pour le nettoyage, la partie haute du robinet Self Service peut être démontée (Fig. 17.2).

Decteur de niveau (56)

Vous n'aurez à manipuler ce composant que si vous avez commandé une pièce de rechange. N'oubliez pas de replacer le détecteur dans la même position que le détecteur d'origine. Si vous avez une machine Tank, le détecteur est en haut, si vous avez une machine Cooler le détecteur est en bas (Fig. 5, 5+ ou 6).

Ensemble refroidisseur (70)

Placez l'unité de refroidissement dans le logement prévu à cet effet dans le meuble (Fig. 6).

Assemblez les composants tels qu'illustré à la Fig. 19 dans l'ordre suivant:

- Montez le piston-joint et la tirette sur le réservoir en suivant les mouvements numérotés sur le dessin.
- Placez le réservoir.
- Réglez le couvercle pompe à l'intérieur du réservoir avec la flèche pointant vers vous.
- Fixez la plaque de maintien métallique qui tient le réservoir.

Podium Self Service/Tank (90), Podium Self Service Pro +Plus (90+), Podium Cooler (100)

Mise en place de la machine sur le meuble à affichage:

! **Important:** Cette opération doit être réalisée par 2 ou 3 personnes. Elle ne doit jamais être réalisée par une personne seule.

Bloquez les roues avant du meuble avec la pédale de frein pour l'empêcher de bouger lors de l'installation.

Après avoir déballé l'appareil, retirez les vis des équerres de fixation et mettez-les de côté pour plus tard. Voir détail "A" de la Fig. 8.

A l'intérieur du meuble se trouvent les déchets d'écorce et le plateau antigouttes du meuble avec son filtre.

Placez la machine sur le meuble, en insérant les coins du bas du socle de la machine dans les deux coins de caoutchouc du meuble, de manière à ce que les trous des équerres de fixation coïncident avec ceux de la machine. Maintenant vous pouvez fixer la machine avec les vis préalablement mises de côté (Voir Figure 5 ou 6).

Rappel:

La machine et le meuble à affichage sont accrochés l'un à l'autre par des vis fournies tel que précisé dans ce manuel.

Ne jamais incliner l'appareil et le meuble. Pour les déplacer, débloquez les roues.



Particularités du Podium Self Service/Tank (90)

Pour les meubles Self Service et Tank, fixez le plateau antigouttes avec son filtre sur le meuble à affichage.

Voir le dessin des pièces démontées pour le placement des composants (Figure 8).

Le composant 90.7 varie selon le modèle de meubles :

Meuble Self Service: Composant Filtre meuble SS (90.7A).

Meuble Tank: Composant Guides réservoir Tank (90.7B).

Les composants Plaque Face Bac (90.8) et Filtre Bac (90.9.), sont réglables en position pour s'adapter aux différents formats de bouteilles et de verres.

Particularités du Podium Self Service Pro +Plus (90+)

Le Podium SS Pro +Plus (90+) dispose de deux bas à déchets séparés.

Veillez à toujours installer les deux bacs.

Particularités du Podium Cooler (100)

Voir les Figures 6 et 9.1 pour la bonne installation des composants.

Passer le câble électrique de l'Ensemble refroidisseur par le trou de la porte arrière. Pour ce faire, vous pouvez dévisser la porte si nécessaire (Fig. 9.2).

Installation Drain&Clean System:

! **Important!** Débranchez l'appareil.

Podium Self Service/Tank (90)

Si elle est en place, retirez le Récupérateur Déchets (90.6), le Filtre Meuble SS (90.7A) et l'Entonnoir Meuble (90.3) (Fig. 8). Ouvrez la porte avant. S'ils sont déjà installés, retirez les écrous papillon plastique injection (6) et le Couvercle Podium SS / Tank (80.5).

Cherchez le trou en haut (Fig. 7.2) et mettez la main pour attraper le Tube flexible (80.4) et le placer dans le trou (Fig. 7.1). Ne retirer ou ne déplacer aucun autre composant de la machine.

Ensuite, placez la plaque intérieure du tube avec les deux écrous papillons fournis et remontez toutes les pièces démontées précédemment (Fig. 7.2).

Voir le dessin des pièces démontées pour le placement des composants (Fig. 8).

Podium Self Service Pro +Plus (90+)

Ouvrez les portes avant et retirez les bacs à déchets (Fig. 8+). Ouvrez la porte avant. S'ils sont déjà installés, retirez les écrous papillon plastique injection (6) et le Couvercle Podium SS / Tank (80.5).

Cherchez le trou en haut (Fig. 7.2) et mettez la main pour attraper le Tube flexible (80.4) et le placer dans le trou (Fig. 7.1). Ne retirer ou ne déplacer aucun autre composant de la machine.

Ensuite, placez la plaque intérieure du tube avec les deux écrous papillons fournis et remontez toutes les pièces démontées précédemment (Fig. 7.2).

Voir le dessin des pièces démontées pour le placement des composants (Fig. 8+).

2. Desmontage

Le démontage des composants doit être réalisé dans l'ordre inverse de celui indiqué à chaque paragraphe.



Fonctionnement general

Une fois la machine correctement installée et avant de la brancher au courant du secteur, vérifiez les caractéristiques électriques de l'alimentation. Si tout est ok, branchez l'appareil à la prise murale.

Pour allumer la machine, appuyez sur le bouton vert **ON**, à ce moment, le voyant LED de la touche **ON/OFF** s'allume ainsi que l'affichage numérique de la machine.

Avant d'utiliser la machine et d'introduire des oranges, vous devez effectuer un étalonnage de la machine à vide. Pour cela, vous devez entrer dans la rubrique Etalonnage du MENU CLIENT ou laisser la machine fonctionner à vide pendant une minute environ jusqu'à ce qu'elle s'arrête d'elle-même.

Pour un bon fonctionnement du compteur, il sera peut-être nécessaire de régler le paramètre Offset après le calibrage de la machine.

Cas 1 : Ne compte pas toutes les oranges. Réduisez la valeur de l'Offset.

Cas 2 : Compte trop d'oranges. Augmentez la valeur de l'Offset.

Pour ce faire, accédez au **MENU>5.Étalonnage>2.Offset** puis réglez la valeur. Quittez le menu et vérifiez le comptage à vide puis avec 2 ou 3 oranges. Recommencez le procédé pour trouver la valeur qui permet un bon fonctionnement du compteur de la machine.

Pour éviter d'éventuelles erreurs de comptage, il faut éviter d'arrêter la machine si une orange est coincée entre le tambour mâle et le tambour femelle.

Le compteur d'oranges est affiché sur tous les modèles. (Écart +-1%)

N'oubliez pas de placer une Cruche ou un Verre à la sortie du jus de la machine.

Si l'un des éléments de sécurité n'est pas en place, la machine ne fonctionnera pas, tant que cela n'aura pas été réparé.

Si nécessaire, vous pouvez toujours éteindre la machine de la manière suivante:

- A** En relâchant le bouton poussoir/la tirette utilisé(s). Par exemple, le robinet.
- B** En appuyant sur la touche **STOP**.
- C** En appuyant sur le bouton rouge **OFF**.
- D** **Uniquement en cas d'urgence :** en débranchant la machine directement de la prise.
- E** Si la machine cesse de détecter des oranges, elle s'arrête environ 60" après le passage de la dernière orange.

Chargement du panier chargeur

Pour alimenter le chargeur de la machine avec des oranges, vous pouvez ouvrir la Porte du panier chargeur (14) et y vider une partie de la caisse d'oranges. Fermez la porte et terminez le remplissage du panier.

Unite de pressage

Assurez-vous que tous les éléments de la machine qui permettent la découpe des oranges, le pressage du jus et la récupération de ce dernier sont montés. Pour cela, consultez le modèle de machine acheté sur le graphique Figurant au point *Deballage et mise en marche. Montage et démontage des composants selon le modele.*

Vérifier l'état des bacs et du filtre à jus pour garantir un jus de qualité.

Si vous avez acheté une machine dotée d'un Kit d'extraction (19+), vous pouvez introduire et retirer l'ensemble de pressage en entier et d'un seul coup.

Récupération du jus

Si vous disposez d'une machine avec :

- Système PulpOut automatique (42+), la pulpe et les restes de pépins seront éliminés par le côté gauche de la machine.
- Balayeuse à pulpe manuelle (43), utilisez la brosse pour retirer les restes de pulpe et de pépins en la faisant glisser à travers le filtre jusqu'aux bacs à déchets.
- Robinet SS (44), Robinet SS Pro +Plus (44+) ou Robinet Tank (55), lisez les instructions concernant l'utilisation du Robinet SS dans la section Montage et démontage des composants selon le modèle.
- Remplissage automatique, la machine s'arrêtera automatiquement une fois arrivée au niveau maximum. N'oubliez pas de placer le Flotteur Tank/Cooler (52) dans son logement, en suivant les instructions d'assemblage. Vous pouvez également choisir le volume de remplissage.

Zone dechets

Assurez-vous que les éléments qui recueillent les écorces d'oranges sont bien en place sur la machine.

Vérifiez régulièrement le niveau de remplissage des réservoirs pour éviter tout débordement des déchets.

Vous pouvez également utiliser la nouvelle fonctionnalité **Niveau déchets** qui vous permet de programmer une alarme pour que la machine s'arrête quand le bac à déchets est plein.

Vous pouvez sélectionner le nombre d'oranges pressées à partir duquel l'alarme se déclenche. Une fois pressée la quantité d'oranges programmée, la machine s'arrête et l'écran affiche un signal d'avertissement afin d'indiquer à l'utilisateur que le bac à déchets doit être vidé.

Si vous avez acheté une machine avec Podium, les écorces tomberont directement dans le Charriot à déchets (90.4) ou dans le Bac à déchets (100.3).

Pour arrêter l'alarme, appuyez sur le bouton **OK** pendant 2" jusqu'à ce qu'elle s'arrête d'elle-même.

Rappel!

"OK court", pas désactiver l'alarme.

"OK long", double "beep", désactive l'alarme.

Pour arrêter l'alarme en permanence, vous devez entrer dans la rubrique **Niveau déchets** du **MENU CLIENT**.

Si vous éteignez ou débranchez la machine, l'alarme "déchets" sera désactivée et remise à zéro.

Mise en marche de la machine


Generalités

Sur tous les modèles, vous pouvez utiliser la machine en mode **Professionnel** ou **Automatique**. Pour passer d'un mode à l'autre, appuyez sur la touche **Mode** pendant quelques secondes. Chaque fois que vous passez du mode Automatique au mode Professionnel, la machine vous demandera de programmer le nombre d'oranges à presser. Si vous ne souhaitez pas modifier le nombre d'oranges, il suffit d'attendre quelques secondes ou d'appuyer rapidement sur la touche **OK**. Si vous souhaitez modifier le nombre d'oranges, appuyez sur les touches + - pour choisir la quantité puis appuyez sur la touche **OK** jusqu'à ce que le symbole **Enregistré** s'affiche.

Modèle Speed Pro Basic

MODE AUTOMATIQUE

En mode automatique

 **START** Démarre la machine

 **STOP** Arrête la machine

Fonctionnement continu.

MODE PROFESSIONNEL

Nombre minimum d'oranges  1

Nombre maximum d'oranges  12

Valeur par défaut  3

Il fonctionne jusqu'à avoir atteint à la quantité enregistrée.

Speed Pro Self Service, Speed Pro +Plus Self Service Speed Pro Self Service Podium, Speed Pro +Plus Self Service Podium

La touche **START** n'est pas activée. Elle ne fonctionne qu'en mode **MANUEL**.

MODE AUTOMATIQUE

Commandé depuis le Robinet SS (44)/
Robinet SS Pro +Plus (44+).

Fonctionnement continu, tant que le robinet est ouvert (bouton poussoir appuyé).

MODE PROFESSIONNEL

Commandé depuis le robinet ouvert.

Nombre minimum d'oranges  1

Nombre maximum d'oranges  12

Valeur par défaut  3

MODE MANUEL (Si le robinet ne fonctionne pas)

En mode manuel, la touche **START** est activée.

En mode manuel il reste possible d'opérer en mode Automatique et en mode Professionnel depuis le clavier.

MANUEL "AUTOMATIQUE"

Fonctionnement continu.

MANUEL "PROFESSIONNEL"

Nombre minimum d'oranges  1

Nombre maximum d'oranges  12

Valeur par défaut  3

La touche **STOP** est toujours active.

Robinet Self Service (44), Robinet Self Service Pro +Plus (44+).

Vous avez acheté un robinet multifonction. Il permet d'obtenir du jus d'une manière discontinue ou continue sans avoir à appuyer sur le bouton poussoir.

Voir les différents modes au point: Montage et démontage des composants selon le modèle Robinet SS (44), Robinet SS Pro +Plus (44+).

Speed Pro Tank Podium (90), Speed Pro +Plus Tank Podium (90+), Speed Pro Cooler Podium (100)

Toujours s'assurer que le Tank (53) ou le Réservoir (70.6) est placé aussi près que possible du capteur qui se trouve sur la base de la machine. Assurez-vous que le flotteur est en place dans le couvercle et bouge librement (**Fig. 5 et 6**).

Si le Flotteur Tank/Cooler (52) n'est pas installé, la machine ne fonctionnera pas (**Fig. 16**).

MODE PROFESSIONNEL

La machine démarre dès que l'on appuie sur **START** et s'arrête dès que le Détecteur de niveau (56) ne trouve pas le Flotteur Tank/Cooler (52) ou atteint le volume enregistré. Lorsque le niveau redescend, la machine ne redémarre que si l'on appuie à nouveau sur **START**.

1

Il y a 3 volumes de remplissage différents, selon les besoins en jus.

2

MODE AUTOMATIQUE

Une fois l'appareil branché en début de journée, on appuie sur la touche **START** pour démarrer la machine.

1

La machine commence à effectuer l'opération de pressage jusqu'à ce que le réservoir soit rempli et que le Détecteur de niveau (56) ne trouve pas le Flotteur Tank/Cooler (52). À ce moment-là, la machine s'arrête.

2

Dès que le niveau de jus baisse à nouveau, la machine se remet en marche environ 15" après que le flotteur n'est plus détecté, et ainsi de suite en mode automatique.

3

Tant que personne n'appuie sur **STOP**, le dessin du réservoir plein ou à moitié plein s'affiche, ce qui indique que même si la machine est en mode automatique, elle est arrêtée en attente que l'on vide le réservoir, pour recommencer le processus de remplissage. En appuyant sur **STOP** le dessin disparaît, et la machine s'arrête.

4

MODE MANUEL (Si le capteur ne fonctionne pas)

Si le Détecteur de niveau (56) ne fonctionne pas, vous devez entrer dans le menu et activer le **MODE MANUEL**. Ce faisant, la machine pourra fonctionner parfaitement sans le détecteur jusqu'à ce qu'il soit réparé.

MANUEL "AUTOMATIQUE"

Fonctionnement continu.

1

MANUEL "PROFESSIONNEL"

Programmez le nombre d'oranges à presser. La machine s'arrête dès qu'elle atteint le nombre enregistré ou dès que l'on appuie sur la touche **STOP**.

2

Rappel! En mode manuel, vous devez surveiller le niveau de jus afin qu'il ne déborde pas, puisque la fonction de niveau est inactive.

Speed Pro Cooler: Unite de refroidissement

Allumez le groupe refroidisseur en appuyant sur l'interrupteur qui se trouve sur la gauche de la sortie de jus du réservoir. Vous pouvez régler la température du jus en utilisant le régulateur situé à droite, tournez-le dans le sens des aiguilles d'une montre pour le refroidir et en sens contraire pour diminuer le niveau de refroidissement.

Actionnez la tirette du réservoir pour remplir un verre ou une cruche.

! **Important!** N'oubliez pas d'éteindre l'Ensemble refroidisseur (70) dès que vous éteignez la machine principale pour éviter une consommation inutile.

Configuration

Votre presse-agrume Zumex **Speed Pro ou Speed Pro +Plus** vous permet de régler les paramètres selon vos préférences.

Vous pouvez choisir et définir le mode de fonctionnement de votre machine à l'aide du dispositif électronique. Grâce à lui, vous pouvez contrôler les caractéristiques et les fonctions depuis les **MENUS** affichés.

Pour accéder au **MENU**, vous devez appuyer sur les boutons **STOP** et **MODE** au moins pendant 2" et entrer le code PIN par défaut (0000).

Depuis le MENU, vous pouvez configurer :

LANGUE: Vous pouvez choisir l'une des 23 langues disponibles.

PIN: Afficher ou modifier le PIN actuel afin que personne ne puisse modifier les paramètres de la machine.

COMPTEUR: Voir le compteur total ou partiel de la machine. Réinitialiser le compteur partiel affiché sur l'écran principal. Pour remettre à zéro le compteur de la machine, appuyez sur les touches **STOP+START** pendant 3" jusqu'à ce que le compteur affiche 0000000.

CREDIT vers le haut ou vers le bas: vous pouvez programmer le crédit de la machine de sorte que la machine peut être arrêtée afin d'atteindre la limite de crédit, ou jusqu'à ce que vous reprogrammer le montant.

VERROUILLAGE DU MODE: Vous pouvez faire fonctionner la machine uniquement en mode Automatique, Professionnel et même fixer le nombre d'oranges ou le volume à presser de manière à ce que seul ce volume soit pressé.

MODE MANUEL (Mode de secours): Sur les modèles de machine présentant un robinet/tirette ou un capteur de fonctionnement auxiliaire, ce dernier peut être annulé en choisissant le mode **MANUEL**. [Modèle Self Service: Robinet SS (44). Modèle Tank et Cooler: Détecteur de niveau (56)].

NIVEAU DECHETS: Vous pouvez activer une alarme afin que la machine s'arrête quand la quantité d'oranges sélectionnée a été pressée. Vous savez ainsi quand vider le bac à déchets.

SYSTÈME PULPOUT: Vous pouvez activer le Système PulpOut pour éliminer automatiquement la pulpe et les pépins. Vous pouvez choisir entre le mode d'utilisation continu ou discontinu.

Le **mode continu** élimine la pulpe pendant tout le temps de pressage. Il permet d'allonger l'autonomie du système et, par conséquent, le temps d'utilisation avant le nettoyage.

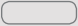



Le **mode discontinu** permet de prolonger le temps de filtration de la pulpe. Vous pouvez choisir la fréquence d'activation du système, selon le type d'agrume utilisé et la quantité de pulpe. Une fréquence rapide activera le système par intervalles de temps inférieurs.

De cette façon, la bande transporteuse se mettra en marche, en fonction du programme choisi, après les cycles de pressage suivants :



Vous pouvez également activer la fonction « Nettoyage automatique » qui permet de nettoyer automatiquement la bande transporteuse après le dernier pressage. En mode discontinu, la fonction « Nettoyage automatique » s'active 30 secondes après le dernier pressage.

Voici quelques exemples de représentation sur l'affichage numérique :

	Mode continu
	Mode discontinu vitesse intermédiaire
	Mode continu avec fonction « Nettoyage automatique »
	Mode discontinu vitesse rapide avec fonction « Nettoyage automatique »

ETALONNAGE: Vous pouvez effectuer un étalonnage de la machine pour régler le comptage de la machine à tout moment.

ETAT DE LA MACHINE: Vous pouvez détecter et corriger diverses pannes qui ont pu causer un arrêt de la machine.

CONTRASTE: Vous pouvez régler l'intensité de la luminosité de l'écran.

Rappel! Dans le MENU CLIENT :

“Ok court” pour baisser le niveau.

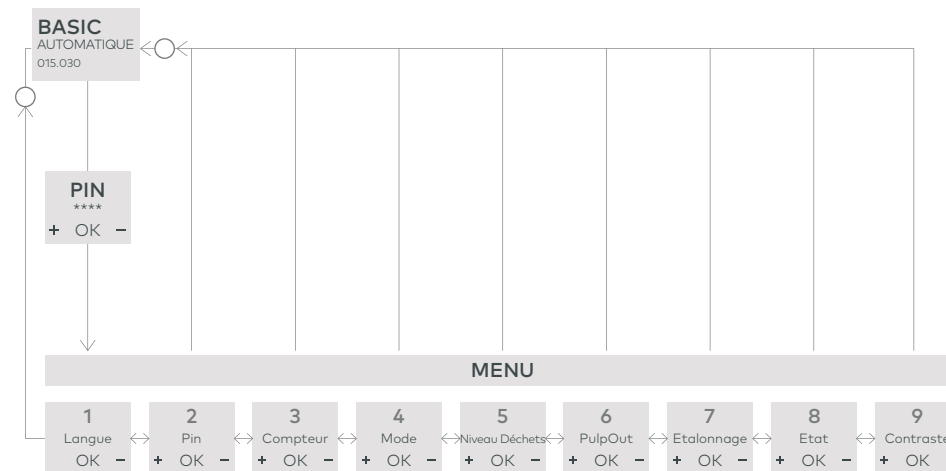
“Ok long” pour augmenter le niveau.

“Ok long” pour enregistrer des données (l'icône enregistré s'affiche).

Pour quitter le MENU CLIENT, vous devez repasser par la même arborescence.

Diagramme de menus

Menu principal



1	LANGUE. Choisir la langue de fonctionnement de la machine.	PULPOUT : Sélectionner le mode de fonctionnement du Système PulpOut Automatique.	6
2	PIN. Afficher ou modifier le code PIN.	ETALONNAGE. Effectuer un étalonnage de la machine pour un comptage correct.	7
3	COMPTEUR. Afficher le compteur total ou partiel de la machine.	ETAT. Accès à diverses pannes qui pourraient avoir causé un arrêt de la machine.	8
4	MODE. Choisir le mode de travail : Automatique ou Professionnel.	CONTRASTE. Régler l'intensité de la luminosité de l'écran.	9
5	NIVEAU DÉCHETS. Activer un signal d'avertissement afin de savoir quand vider le bac à déchets.		



Nettoyage

Zumex recommande de nettoyer la machine au moins 1 à 2 fois par jour, en fonction de son utilisation, afin de préserver les conditions d'hygiène alimentaire.

Pour réaliser un nettoyage correct, vous devrez suivre les étapes suivantes :

- A** Toutes les pièces en plastique peuvent être lavées au lave-vaisselle, excepté le Réservoir à jus Speed Pro Cooler (70.6).
- B** Pour éviter une oxydation prématurée de l'acier inoxydable, il n'est pas recommandé de laver au lave-vaisselle les (44) Robinet SS et (44+) Robinet SS PRO +.

Tous les modèles

- 1** Débranchez la machine du secteur.
- 2** Pour le montage et démontage, consultez le paragraphe correspondant à chaque composant dans la section *Montage et démontage des composants selon le modèle*.
- 3** Démontez les Sorties latérales.
- 4** Démontez le capot.
- 5** Montage et démontage des composants selon le modèle.

Speed Pro Basic, Speed Pro Self Service, Speed Pro Self Service Podium, Speed Pro Tank Podium, Speed Cooler Podium

- 6** Démontez le porte-lames en tirant la poignée vers vous.
- !** **Important!** Manipulez cette pièce avec beaucoup de précaution car vous risquez de vous couper.
- 7** Retirez les extracteurs d'écorce de leurs supports (**Fig. 1**).
- 8** Démontez les tambours de pressage par paires, en dévissant au préalable les écrous papillons qui les maintiennent (**Fig. 1**).
- 9** Démontez les bacs et filtres à jus, selon le modèle voir le Schéma correspondant, dans la section *Déballage et mise en marche*.

Speed Pro +Plus Self Service, Speed Pro +Plus Self Service Podium, Zumex Speed Pro +Plus Tank Podium

- 6+** Démontez le (19+) Kit d'extraction de la machine.

Il est possible de réaliser deux types de nettoyage :

- **Nettoyage du kit complet :** une fois le kit retiré de la machine, éliminez les restes éventuels de pulpe et d'écorce en le lavant à l'eau, et, au besoin, avec du savon doux. Il est également possible de le laver entièrement et sans le démonter au lave-vaisselle.
- **Nettoyage en profondeur :** tous les composants sont démontables individuellement pour un nettoyage plus exhaustif des pièces. Zumex recommande un nettoyage en profondeur du kit d'extraction au moins une fois par semaine, selon l'utilisation de la machine.

- 7+** Démontez le Porte-lames Pro +Plus (9+) et procédez à son nettoyage en faisant attention à ne pas vous couper.
- 8+** Démontez le Système PulpOut automatique (42+).
- 9+** Pour un nettoyage efficace de tous les éléments de l'ensemble, ceux-ci doivent être démontés et lavés individuellement. Ils peuvent être lavés à la main ou au lave-vaisselle.

Considérations

- C** Nettoyage des éléments non démontables : utilisez une éponge avec de l'eau tiède et du savon puis rincez.
- D** Rappelez-vous que certaines pièces se ressemblent mais se montent à différents endroits.
- E** Pièces transparentes et lave-vaisselle : il est possible de laver ces pièces au lave-vaisselle mais vous devez veiller à utiliser du savon, du sel et du liquide de rinçage qui ne fassent pas perdre aux pièces leur brillance et leur transparence.
- F** Sur les modèles avec robinet : Dévissez le robinet du bac, puis séparez le bouton presseur du corps pour un nettoyage homogène. Veillez à démonter les robinets pour les nettoyer en profondeur tel qu'indiqué aux paragraphes : Robinet SS (44), Robinet SS Pro +Plus (44+), Robinet Tank (55), section *Montage et démontage des composants selon le modèle*.
- G** Sur les modèles avec Drain & Clean System, Zumex recommande un nettoyage intérieur du tube, en introduisant la brosse (**Fig. 7.1**) dans l'ouverture du chargeur au moins une fois par semaine. Ce processus évitera de possibles encombrements de la zone.
- H** Chargeur : Que votre modèle dispose du système Drain & Clean ou non, il convient de démonter le plateau tournant du chargeur pour éliminer complètement la cire et les restes de saleté.
- I** Pour le nettoyage des parties difficiles d'accès, nous vous recommandons d'utiliser la propre brosse (**Fig. 1**) de la machine.



Accessoires

Vous trouverez une large gamme d'accessoires qui vous permettront de configurer votre presse-agrumes selon vos besoins :

Kit d'extraction

Avec cet accessoire, vous pourrez démonter le groupe de pressage en seulement 10 secondes et laisser votre machine prête pour continuer de fonctionner avec l'autre kit.

*Accessoire disponible pour tous les modèles Speed Pro +Plus. Contient l'ensemble de pressage.

Kit S

Pour presser des fruits à partir de 45 mm et jusqu'à 67 mm de diamètre.

Kit L

Pour presser des fruits à partir de 75 mm et jusqu'à 95 mm de diamètre.

Système DCS

Pour presser des agrumes immatures ou très mûrs.

Meuble Display

Pour que vos bouteilles de jus fraîchement pressé restent toujours fraîches et prêtes à emporter. Disponible en deux formats.

Kit Comptoir

Intègre la gestion des déchets en comptoir de la façon la plus pratique et hygiénique.

Range-bouteilles

Pour des espaces de libre-service, permet d'organiser les bouteilles, carafe ou verres. Inclut trois plateaux (avec 4 hauteurs). Intégré au podium et permet de transporter tout l'ensemble facilement.

Pack Zumex


Des bouteilles qui permettent de conditionner les boissons fraîches en vue de leur commercialisation, notamment le jus d'orange fraîchement pressé. Disponibles en 6 formats (1,5 l, 1 l, 75 cl, 50 cl, 33 cl et 25 cl) et autocollants personnalisables inclus.

Consultez le site web de Zumex www.zumex.com pour obtenir des informations sur les accessoires compatibles avec votre machine.



Détection des pannes et conseils

Pour supprimer une erreur, appuyez brièvement sur la touche "OK" et vérifiez que l'origine de l'erreur est corrigée, conformément à ce qui est indiqué dans le tableau ci-dessous.

ERREUR 	CAUSE POSSIBLE 	ACTION 
01 Couvercle	La Sécurité du capot n'est pas détectée	Vérifier que le capot est bien en place Vérifier que la sortie latérale est bien en place Vérifier que l'aimant est bien en place Vérifiez que les câbles sont branchés Vérifier le détecteur de capot
02 Bac	Le bac n'est pas détecté	Vérifier que le bac est bien en place Vérifier le branchement des câbles Vérifier le détecteur bac
03 Puissance Moteur	Le moteur ne fonctionne pas à la bonne tension	Vérifier la tension du secteur Vérifiez la carte électronique
04 Interruption	Panne de courant	Vérifiez le câble de tension d'alimentation Vérifier le câblage intérieur
05 Surintensité	Le moteur est en surconsommation	Vérifier s'il n'y a pas des blocages dans le système de pressage Vérifier la dureté du fruit Vérifier le moteur Vérifier le refroidissement
06 Sans Flotteur	Le flotteur n'est pas détecté	Replacer le flotteur Replacer le réservoir Vérifiez le câblage Vérifier le détecteur
07 Credit	La limite maximale du compteur est atteinte	Supprimer la limite du compteur Reprogrammer la limite du compteur
08 Niveau Dechets	La limite maximale du compteur est atteinte	Faites un appui long sur OK jusqu'à ce que vous entendiez un double "beep".



zumex.com



ZUMEX PRÄSENTIERT

Die Erweiterung seiner schnellsten und robustesten Serie

Speed Pro und Speed Pro+Plus wurden für die Herstellung großer Mengen Saft entwickelt. Die neuen Modelle sind effektiver, sicherer und zuverlässiger für Restaurants, Cafeterien und Supermärkte als je zuvor.

Erfahren Sie, wie benutzerfreundlich und leicht zu reinigen sie sind.

Die vorliegende Bedienungsanleitung bezieht sich auf die Modelle Speed Pro und Speed Pro +Plus.



Registrieren Sie
Ihren Speed Pro hier

Speed Pro

Bedienungsanleitung. Original-Anweisungen.

Diese Bedienungsanleitung enthält sämtliche Informationen, die für den Aufbau und die Inbetriebnahme Ihres neuen Entsafters der Serie Speed Pro oder Speed Pro +Plus notwendig sind sowie Informationen über Funktionsweise, Eigenschaften, Zubehör, Ratschläge und Vorsichtsmaßnahmen der Maschine.

Lesen Sie die Anweisungen bitte aufmerksam, um eine optimale Leistung Ihres Gerätes sicherzustellen.

INHALTSVERZEICHNIS

- 3 ANHANG
- 146 ALLGEMEINE WICHTIGE HINWEISE
- 146 TECHNISCHE EIGENSCHAFTEN
- 147 BEDIENUNGSANLEITUNG
 - 147 VORBEREITUNG
 - 147 ENTFERNUNG DER VERPACKUNG UND INBETRIEBNAHME
 - 150 EIN- UND AUSBAU DER EINZELNEN ELEMENTE JE NACH MODELL
 - 160 ALLGEMEINE FUNKTIONSWEISE
 - 166 KONFIGURATION
 - 170 REINIGUNG
 - 172 ZUBEHÖR
- 174 FEHLERSUCHE UND PRAKTISCHE TIPPS
- 211 EU-KONFORMITÄTSERKLÄRUNG

Zumex behält sich das Recht vor, die in dieser Bedienungsanleitung enthaltenen Informationen jederzeit ohne Vorankündigung zu ändern.



Allgemeine wichtige hinweise

Die vorliegende Bedienungsanleitung bezieht sich auf die folgenden Modelle von Zumex

Thekenmodelle	Zumex Speed Pro Basic
	Zumex Speed Pro Self Service
	Zumex Speed Pro +Plus Self Service
Modelle mit Unterschrank	Zumex Speed Pro Self Service Podium
	Zumex Speed Pro +Plus Self Service Podium
	Zumex Speed Pro Tank Podium
	Zumex Speed Pro +Plus Tank Podium
	Zumex Speed Cooler Podium

Als erstes empfehlen wir Ihnen, die folgenden Vorsichtsmaßnahmen zu beachten:

- Die spezifischen Daten Ihrer Zumex Saftpresse (Spannung, Frequenz und weitere wichtige Angaben) finden Sie auf dem Identifikationsetikett an der Maschine selbst.
- Bitte wenden Sie sich bei allen technischen Fragen an Ihren Vertriebshändler / Offiziellen Kundendienst und geben Sie dabei immer die Seriennummer laut Identifikationsetikett an der Maschine an.
- Zumex ergreift die erforderlichen Maßnahmen, damit die auf dem Markt befindlichen Maschinen eine selektive Rücknahme und korrekte umweltbewusste Entsorgung erfahren. Für eine korrekte Entsorgung der Maschinen wenden Sie sich bitte an Ihren Zumex Vertriebshändler.
- **Nehmen Sie keine Eingriffe an der Maschine vor, um sie ohne Sicherheitselemente in Betrieb zu nehmen.**
- Dieses Gerät darf von Kindern ab 8 Jahren bedient werden. Personen mit eingeschränkten physischen, sensorischen oder mentalen Fähigkeiten oder mangelnder Erfahrung und fehlenden Kenntnissen dürfen dieses Gerät nur unter Aufsicht bedienen, oder erst nachdem eine sachdienliche Einweisung in die sichere Gerätebedienung unter verständlicher Erklärung der damit verbundenen Risiken erfolgt ist.
- Kinder sind zu beaufsichtigen, damit sie das Gerät nicht als Spielzeug verwenden.
- Reinigungs- und Wartungsmaßnahmen durch den Verwender dürfen nicht von Kindern ohne Aufsicht vorgenommen werden.

• Das Gerät ist auf der Rückseite mit einer Äquipotential-Klemme für den Erdungsanschluss anderer Geräte an die Erdung der Anlage über diese Klemme ausgestattet. Sollte diese benötigt werden, lösen Sie Muttern und Scheiben, schließen Sie das Erdungskabel des Nebengerätes an und ziehen Sie die Muttern und Scheiben wieder gut fest. Dieser Potentialausgleich ist mit dem folgenden Symbol gekennzeichnet:



- Das Gerät darf nicht mit Wasserstrahl gereinigt werden.
- **Dieses Gerät ist für die Entsaftung von Zitrusfrüchten in der angegebenen Größe ausgelegt:** Orangen, Mandarinen, Granatäpfel, Limetten, Grapefruit.
- Verwenden Sie keine anderen Früchte als die in der Anleitung genannten Früchte.
- Achten Sie darauf, dass bei Reinigung, Wartung oder Austausch von Teilen der Stecker des Netzkabels gut sichtbar vom Netzanschluss getrennt ist.
- Gehen Sie zur Vermeidung von Schnittverletzungen mit den Schneidelementen besonders vorsichtig um.
- Die Teile, die mit Nahrungsmitteln in Berührung kommen, sind nach den Anweisungen im Abschnitt Reinigung zu säubern.

- Bei Beschädigung des Netzkabels ist dieses durch ein vom Hersteller oder dem Kundendienst geliefertes Kabel oder einen speziellen Kabelsatz zu ersetzen.
- Das Kabel wird zusammen mit einem Kabelschutz gegen ein versehentliches Herausziehen des Kabels geliefert. Bitte befolgen Sie die nachfolgenden Anweisungen in der Anleitung zur Anbringung dieses Schutzes, um die Gerätesicherheit zu gewährleisten.

Die Bedienungsanleitung kann aktualisiert werden. Sie können die aktualisierte Anleitung auf unserer Website www.zumex.com im Abschnitt zum jeweiligen Modell einsehen.

Für Anregungen oder Kommentare zur Verbesserung unserer Maschinen oder unseres Servicenetzes wenden Sie sich bitte direkt an Zumex unter der folgenden Anschrift:

 **ZUMEX GROUP, S.A.**

Polígono Ind. Moncada III C/Molí 2. 46113 Moncada. Valencia. Spanien.

Tel. +34 961 301 251 · Fax: +34 961 301 255

zumex@zumex.com / www.zumex.com

ZUMEX SERVICE

Tel. +34 960 800 999 · service@zumex.com



Technische Eigenschaften

Modell	Gewicht		Abmessungen Breite x Tiefe x Höhe	
Speed Pro Basic	64.7 Kg	142.4 lb	593x574x989 mm	23.35"x22.6"x38.94"
Speed Pro Self-Service	72.4 Kg	159.4 lb	593x658x1050 mm	23.35"x25.91"x41.34"
Speed Pro +Plus Self-Service	74.4 Kg	163.8 lb	593x675x1050 mm	23.35"x26.57"x41.34"
Speed Pro Self-Service Podium	119.6 Kg	262.8 lb	675x700x1765 mm	26.57"x27.56"x69.49"
Speed Pro +Plus Self-Service Podium	147.7 Kg	319 lb	854x734x1766 mm	33.62"x28.90"x69.53"
Speed Pro Tank Podium	119.1 Kg	262 lb	675x700x1765 mm	26.57"x27.56"x69.49"
Speed Pro +Plus Tank Podium	121.2 Kg	266.7 lb	675x700x1765 mm	26.57"x27.56"x69.49"
Speed Pro Cooler Podium	128.3 Kg	282.2 lb	675x727x1850 mm	26.57"x28.62"x72.83"

WEITERE EIGENSCHAFTEN (für alle Modelle)

Spannung	120 V 60 Hz	220-240 V 50-60Hz
Leistung	300 W (560 W Cooler)	300 W (560 W Cooler)
Verbrauch	2.7 A (4.87 A Cooler)	1.2 A (2.4 A Cooler)
Orangen pro Minute	40	37/40
Früchte*	Orangen, Mandarinen, Limetten, Pomeles, Granatäpfel.	
Größe der Früchte	65-81 mm (45-67 mm mit Kit S)	
Kapazität Zuführung	20 kg / 44 lb	
Schutz	IPX4	
Schalldruckpegel	Untere 70 dB(A)	

* Für andere Früchte gequetscht überprüfen Sie immer mit Ihren nächstgelegenen Händler.

Bedienungsanleitung

Vorbereitung

Bevor Sie mit der Safterstellung beginnen, sind die folgenden Schritte vorzunehmen:

- 1 Entfernen Sie das Verpackungsmaterial und stellen Sie die Saftpresse auf eine möglichst ebene Fläche.
 - 2 Vergewissern Sie sich, dass die Netzspannung mit der Spannung laut Identifikationsetikett an der Maschine übereinstimmt. Dieses Etikett befindet an der Maschine selbst.
 - 3 Stellen Sie sicher, dass keine Gegenstände den Auspackvorgang behindern.
- ! Vor dem ersten Gebrauch empfehlen wir, das Entsaftungssystem zu reinigen. Siehe Abschnitt "Reinigung".

Entfernung der Verpackung und Inbetriebnahme der Maschine

Gehen Sie nach den Anweisungen für das jeweilige, von Ihnen erworbene Modell vor. Die folgenden Einzelteile können lose sein und müssen in diesem Fall befestigt werden:

Speed Pro Basic

Seitliche Ausgangsöffnung Abdeckung rechts (2), Seitliche Ausgangsöffnung Abdeckung links (3), Anschlusskabel (15), Kabelschutz (16), Saftbehälter Kunststoff (30), Innenfilter Kunststoff (31), Saftfilter Kunststoff (32), Schalenbehälter (33), Tropfauffangschale (34).

Siehe Abbildung 1 und 2.

Speed Pro Self Service

Seitliche Ausgangsöffnung Abdeckung rechts (2), Seitliche Ausgangsöffnung Abdeckung links (3), Anschlusskabel (15), Kabelschutz (16), Schalenbehälter (33), Tropfauffangschale (34), Saftbehälter SS (40), Unterfilter SS (41), Filter SS/Tank (42), Filterreinigungsvorrichtung (43), SB-Hahn (44), Ergänzungsteil maschine (47), W Filter (48).

Siehe Abbildung 1 und 3.



Speed Pro +Plus Self Service

Seitliche Ausgangsöffnung Abdeckung rechts (2), Seitliche Ausgangsöffnung Abdeckung links Pro +Plus (3+), Anschlusskabel (15), Kabelschutz (16), Schalenbehälter (33), Tropfauffangschale (34), Saftbehälter SS (40), Unterfilter SS (41), Automatisches PulpOut-System (42+), SB-Hahn SS Pro +Plus (44+), Ergänzungsteilmaschine (47).

Siehe Abbildung 1+ und 3+.

Speed Pro Self Service Podium

Seitliche Ausgangsöffnung Abdeckung rechts (2), Seitliche Ausgangsöffnung Abdeckung links (3), Anschlusskabel (15), Kabelschutz (16), Saftbehälter SS (40), Unterfilter SS (41), Filter SS/Tank (42), Filterreinigungsvorrichtung (43), SB-Hahn (44), W Filter (48).

Siehe Abbildung 1 und 4. Siehe Abschnitt Podium Self Service/Tank (90) für Informationen zum Unterschrank Ihrer Maschine.

Speed Pro +Plus Self Service Podium

Seitliche Ausgangsöffnung Abdeckung rechts (2), Seitliche Ausgangsöffnung Abdeckung links Pro +Plus (3+), Anschlusskabel (15), Kabelschutz (16), Saftbehälter SS (40), Unterfilter SS (41), Automatisches PulpOut-System (42+), SB-Hahn SS Pro +Plus (44+).

Siehe Abbildung 1+ und 4+. Siehe Abschnitt Podium Pro +Plus Self Service (90+) für Informationen zum Unterschrank Ihrer Maschine.

Speed Pro Tank Podium

Seitliche Ausgangsöffnung Abdeckung rechts (2), Seitliche Ausgangsöffnung Abdeckung links (3), Anschlusskabel (15), Kabelschutz (16), Filter SS/Tank (42), Filterreinigungsvorrichtung (43), Filter W (48), Saftbehälter Tank (50), Unterfilter Tank (51), Schwimmer Tank/Cooler (52), Tank (53), Rührelement (54), Hahn Tank (55).

Siehe Abbildung 1 und 5. Siehe Abschnitt Podium SelfService/Tank (90) für Informationen zum Unterschrank Ihrer Maschine für Informationen zum Unterschrank Ihrer Maschine.

Speed Pro +Plus Tank Podium

Seitliche Ausgangsöffnung Abdeckung rechts (2), Seitliche Ausgangsöffnung Abdeckung links Pro +Plus (3+), Anschlusskabel (15), Kabelschutz (16), Automatisches PulpOut-System (42+), Saftbehälter Tank (50), Unterfilter Tank (51), Schwimmer Tank/Cooler (52), Tank (53), Rührelement (54), Hahn Tank (55).

Siehe Abbildung 1+ und 5+. Siehe Abschnitt Podium Pro +Plus Self Service/Tank (90+) para für Informationen zum Unterschrank Ihrer Maschine.

Speed Pro Cooler Podium

Seitliche Ausgangsöffnung Abdeckung rechts (2), Seitliche Ausgangsöffnung Abdeckung links (3), Anschlusskabel (15), Kabelschutz (16), Saftbehälter Kunststoff (30), Innenfilter Kunststoff (31), Saftfilter Kunststoff (32), Kühleinheit (70), Schwimmer Tank/Cooler (52).

Siehe Abbildung 1 und 6. Siehe Abschnitt Podium Cooler (100) para für Informationen zum Unterschrank Ihrer Maschine.

Einheit Drain&Clean System (80)

Falls Sie ein Podium-Modell erworben haben, verfügt Ihr Gerät über ein Drain&Clean-System. Das System funktioniert mittels eines Ablaufs vom Fruchtbehälter in den Abfallbehälter im Inneren des Geräts, wodurch die Reinigung und Beseitigung von Rückständen erleichtert werden.

Siehe Abbildung 7.1 und 7.2

Podium Self Service/Podium Tank Podium (90), Podium Self Service Pro +Plus (90+), Podium Cooler (100)

Im Inneren des Unterschranks befinden sich alle Bestandteile des Unterschranks.



Ein- und Ausbau der Einzelnen Elemente je nach Modell

1. Zusammenbau

Abdeckung (1)

Richten Sie die 3 Öffnungen der Abdeckung nach den 3 Knöpfen der Achsen aus. Drehen Sie die Knöpfe 90° im Uhrzeigersinn **(Abb. 10)**.

Seitliche Ausgangsöffnung Abdeckung rechts (2), seitliche Ausgangsöffnung Abdeckung links (3), seitliche Ausgangsöffnung Abdeckung links Pro +Plus (3+)

Vergewissern Sie sich, dass die seitlichen Ausgangsöffnungen vollständig montiert und an der korrekten Stelle angebracht sind **(Abb. 10)**.

Die seitlichen Ausgangsöffnungen sind nicht identisch. Stellen Sie sicher, dass sich die Ausgangsöffnung an der jeweils korrekten Seite befindet.

Lassen Sie den unteren Teil der Ausgangsöffnung einrasten und heben Sie den oberen Teil an. Sichern Sie dabei den Verschluss durch eine 90°-Drehung des Knaufs.

Trommeleinsatz Kunststoff (4), Trommelgehäuse Kunststoff (5)

Bringen Sie die Trommeln an den Achsen an **(Abb. 1)**.

Wenn Sie sich für ein Modell Speed Pro +Plus entschieden haben, lesen Sie bitte den Abschnitt *Schnell-Reinigungskit (19+)*. Bringen Sie stets Trommelgehäuse und Trommeleinsatz gleichzeitig an einer Seite an, um das Einrasten zu erleichtern.

Sicherheitsschraube Spritzgusskunststoff (6)

Drehen Sie zur Befestigung der Trommeln und des Zuführtellers die Sicherheitsschrauben fest **(Abb. 1)**. Wenn Sie sich für ein Modell Speed Pro +Plus entschieden haben, lesen Sie bitte den Abschnitt *Schnell-Reinigungskit (19+)*.

Entsafterkeil links (7), Entsafterkeil rechts (8)

Bringen Sie die Keile auf der jeweiligen Seite an den Führungen an **(Abb. 1)**. Wenn Sie sich für ein Modell Speed Pro +Plus entschieden haben, lesen Sie bitte den Abschnitt *Schnell-Reinigungskit (19+)*.

Messerhalter (9)

Messer vorsichtig auf die vorgesehene Führung legen und nach innen drücken **(Abb. 1)**.

Messerhalter Pro +Plus (9+)

Messer vorsichtig auf die vorgesehene Führung legen und nach innen drücken **(Abb. 1+)**.

Zuführungskorb (13)

Der Zuführungskorb lässt sich herausnehmen und erneut einlegen. Dazu auf die Führungen legen und die Bewegung bis zum Auschlag ausführen **(Abb. 1)**.

Tür Zuführungskorb (14)

Der Zuführungskorb verfügt über eine leicht zu öffnende Tür, um den Korb einfach mit Orangen befüllen zu können **(Abb. 1)**.

Anschlusskabel (15)

Nach der Entgegennahme der Maschine muss das Kabel an der Maschinenunterseite angeschlossen werden **(Abb. 1)**.

Kabelschutz mit 3 Schrauben (16)

Kabelschutz anbringen, um ein versehentliches Herausziehen des Kabels zu verhindern **(Abb. 1)**.

Dichtung Behälter Self Service/Tank 6.3x3.5 (17)

Diese Dichtung ist mit Kleber befestigt. Denken Sie daran, bei einem Austausch die neue Dichtung wieder zu verkleben **(Abb. 1)**.

Bolzen Behälter (18)

Dieses Element muss nur entfernt werden, wenn ein Saftbehälter SS (40) oder Saftbehälter Tank (50) als Ersatzteil benötigt wird (Abbildung 1). Nach dem Einbringen des Ersatzteils den Bolzen von hinten aus betätigen, um die Position des Behälters zu regulieren.

Schnell-Reinigungskit (19+)

Diese Einheit ermöglicht es, die Trommelteile und die Schnell-Reinigungskit in einem einzigen Schritt herauszuziehen und einzusetzen (**Abb. 1+**).

Denken Sie daran, vorher den Messerhalter Pro +Plus (9+) einzusetzen.

Gleichen Sie die Trommeln mit den Achsen ab und justieren Sie ihre Position, während sie vollständig einrasten lassen. Verwenden Sie die mittlere Schraube, um die Gruppe am Gerät festzuschrauben.

Hinweis: Gehen Sie bei der Demontage in der umgekehrten Reihenfolge vor.

Demontage der Einheit

- Schrauben Sie die Sicherheitsschraube Kunststoff (6), die sich hinter den Trommeln befindet und die beiden Metallhalter festhält, ab (19.1+ und 19.2+).
- Ziehen Sie vorsichtig den vorderen Halter heraus (19.2+).
- Entnehmen Sie die Keile (7y8) und trennen Sie Trommeleinsatz (4) und Trommelgehäuse voneinander (5).

Siehe Abbildungen 19+.

Montage der Einheit

- Legen Sie den hinteren Halter (19.1+) auf eine Oberfläche. Die Halter der Keile müssen mit der Oberseite nach unten zeigen.
- Setzen Sie Trommeleinsatz und Trommelgehäuse zusammen. Fügen Sie die runden Unterteile der Trommelteile in die Öffnungen des Halters ein. Bedenken Sie, dass die Seiten der Trommelteile unterschiedlich sind. Vergewissern Sie sich, dass Sie sie wie auf der Abbildung dargestellt einbauen.
- Fügen Sie die Keile auf den Metallhaltern des Kits ein und lassen Sie den Entsafter dabei in der Dichtung des Trommeleinsatzes.
- Fügen Sie die Drehknäufe (19.3+) des vorderen Halters (19.2+) in die Öffnungen der Trommelteile ein.
- Verbinden Sie die beiden Halter mit der Sicherheitsschraube aus Kunststoff (6).

Hinweis: Siehe Abschnitt *Reinigung* für die Reinigung der Entsaftungsgruppe..

Saftbehälter Kunststoff (30)

Vergewissern Sie sich, dass die Dichtung korrekt am Behälter montiert ist (**Abb. 11**).

Positionieren Sie anschließend den Behälter in der Maschine. Setzen Sie den Behälter nach unten auf den 4 an der Maschine dafür vorgesehenen Nasen an (**Abb. 2**).

Innenfilter Kunststoff (31)

Legen Sie den Innenfilter in den Pressbehälter ein (**Abb. 2**).

Saftfilter kunststoff (32)

Legen Sie den Innenfilter in den Pressbehälter ein (**Abb. 2**).

Schalenbehälter (33)

Bringen Sie die Schalenbehälter unter den seitlichen Ausgangsöffnungen der Abdeckung an (**Abb. 2 oder 3 je nach Modell**).

Tropfauffangschale (34)

Bringen Sie die Schale unter dem Saftauslass an (**Abb. 2 oder 3 je nach Modell**).

Saftbehälter Self Service (40)

Richten Sie den Behälter nach der Öffnung in der Mitte aus. Richten Sie gleichzeitig die beiden seitlichen Nasen an den Enden des Behälters aus und üben Sie Druck aus. Durch Drücken der seitlichen Taster lässt sich die Montage erleichtern (**Abb. 12**).

Unterfilter Self Service (41)

Legen Sie den Unterfilter in den Pressbehälter ein (**Abb. 3**).

Filter Self Service/Tank (42)

Richten Sie die beiden rückseitigen Hohlräume nach den beiden inneren Nasen am Behälter hinten aus. Filter nach vorne fallen lassen und die vorderen Hohlräume an den Nasen vorne ausrichten.

Der Filter ruht nun auf dem Saftbehälter SS (40) (**Abb. 3**) oder Saftbehälter Tank (50) (**Abb. 5**).

Automatisches PulpOut-System (42+)

Mit dieser Einheit können Fruchtfleisch und Kerne beim Entsaftungsvorgang automatisch entfernt werden.

Montage

- a) Setzen Sie die Walzen (42.1+) in das Transportband ein (42.2+).
- b) Fügen Sie zunächst auf der linken Seite die Walze in die Metallbuchsen des Gestells ein. Dehnen Sie dann das Band und fügen Sie die andere Walze in die Buchsen auf der rechten Seite ein (**Abb. 20.1+**).
- c) Befestigen Sie den Deckel des Bandes (42.4+), indem Sie zunächst die Zapfen der rechten Seite in die Nuten des Gestells einführen (42.3+) (**Abb. 20.1+**). Drehen Sie den Deckel dann so, dass er vollständig horizontal im Gestell einrastet und drücken Sie, bis es klick macht.
- d) Üben Sie leichten Druck auf die Seiten des seitlichen Deckels (42.5+) aus und führen Sie ihn in die Öffnungen der linken Seiten des Gestells ein (**Abb. 20.1+**). Vergewissern Sie sich, dass die Zapfen vollständig eingerastet sind und dass der Deckel frei gedreht werden kann. Lassen Sie ihn in der vertikalen Position.
- e) Setzen Sie die Automatisches PulpOut-System (42+) in die Maschine ein (**Abb. 20.2+**). Führen Sie hierfür die linke Walze in den Achsenmotor auf der linken Seite der Maschine ein. Vergewissern Sie sich, dass die Einheit in die Zapfen des Behälters eingerastet ist.
- f) Drehen Sie den Spritzschutzdeckel (42.6+) in die senkrechte Position. Es ist nicht notwendig, die Abdeckung bei der Demontage der Automatisches PulpOut-System abzunehmen.

Hinweis: Dieses Teil muss sich nur zum Anbringen der Abdeckung in waagerechter Position befinden.

Gehen Sie zur Demontage in der umgekehrten Reihenfolge vor. Siehe Abschnitt *Reinigung* zur ordnungsgemäßen Instandhaltung der PulpOut-Einheit.

Für die Aufstellung der Maschinen siehe:

- Speed Pro +Plus Self Service (Abb. 3+).
- Speed Pro +Plus Self Service Podium (Abb. 4+).
- Speed Pro +Plus Tank Podium (Abb. 5+).

Filterreinigungsvorrichtung (43)

Vergewissern Sie sich, dass die innere Führung der Filterreinigungsvorrichtung korrekt montiert ist (**Abb. 13**). Die Filterreinigungsvorrichtung lässt sich durch 90°-Drehung des seitlichen Riegels entnehmen und erneut einsetzen (**Abb. 13**).

Hinweis: Stellen Sie sicher, dass sich der Riegel in Verschlussposition befindet, damit die Filterreinigungsvorrichtung nicht versehentlich vom Filter fällt.

SB-Hahn Self Service (44), SB-Hahn Self Service Pro +Plus (44+)

Um den SB-Hahn am Behälter zu montieren, ist die hintere Nase auszurichten und die Sicherungsmutter an der Rückseite des Hahns festzuziehen (**Abb. 3 und 3+**).

Hinweis: Drehen Sie die schwimmende Mutter solange fest, bis Sie das Gewinde des Deckels nicht mehr sehen können. Der Sensor des Hahns wird nicht aktiv, wenn dieser nicht ordnungsgemäß befestigt ist.

Funktionsweise des Hahns

Sie können den Hahn zur Saftausgabe durch Drücken und Loslassen betätigen (**Abb. 14 y 14+ (1)**). Beim SB-Hahn SS (44) befindet sich die Drucktaste im Inneren, beim SB-Hahn Pro +Plus (44+) befindet sie sich an der Außenseite.

Sie können die Drucktaste auf der Position "freier Zulauf" feststellen. Drehen Sie hierfür den Ring mit den unterbrochenen/durchgehenden Linien bis die durchgehende Linie sich über dem Glas-Symbol befindet. Lassen Sie die Drucktaste los. Die Taste ist daraufhin festgestellt (**Abb. 14 und 14+ (2)**).

Um die Feststellung aufzuheben müssen Sie lediglich die Taste erneut drücken (**Abb. 14 und 14+ (3)**).

Für die tägliche Reinigung müssen Sie den oberen Teil des Hahns und das Zulaufrohr abnehmen (**Abb. 14 und 14+ (4)**).

Das Gerät Speed Pro+Plus Self Service Podium verfügt über einen Flaschenhalter (**Abb. 14+ (5)**), der durch Entfernen der beiden Schrauben auf der Rückseite abgenommen werden kann, wenn er nicht benötigt wird.

Dichtung Sensorrohr (46)

Im Bedarfsfall kann diese Dichtung zur Reinigung herausgenommen werden (**Abb. 3 oder 4**).



Ergänzungsteil Maschine (47)

Verwenden Sie dieses Ergänzungsteil zur Erhöhung der Maschine (**Abb. 3 oder 3+**).

- ! **Wichtig!** Das Anbringen der Maschine auf dem Ergänzungsteil darf nie von einer Person allein vorgenommen werden.

W-Filter (48)

Optionaler Zusatzfilter zum Saftfilter mit manueller Filterreinigungsvorrichtung.

Saftbehälter Tank (50)

Richten Sie die beiden seitlichen Nasen an den Enden des Behälters aus und üben Sie Druck aus. Durch Drücken der seitlichen Taster lässt sich die Montage erleichtern (**Abb. 15**).

Für den Ausbau des Behälters einfach die beiden seitlichen Taster drücken und den Behälter herausziehen.

Unterfilter Tank (51)

Legen Sie den Unterfilter in den Pressbehälter ein (**Abb. 15**).

Schwimmer Tank/Cooler (52)

Modell Tank

- Im Falle, dass der Halter mit Schwimmer locker ist, lockern Sie die Haltezapfen (**Abb. 16 (1)**).
- Gleichen Sie die Vorsprünge des Halters mit der Unterseite des Deckels ab (**Abb. 16 (2)**).
- Drücken Sie die Zapfen fest (**Abb. 16 (2 und 3)**).
- Falls eine gründliche Reinigung nötig ist, entfernen Sie die Teile in umgekehrter Reihenfolge und entnehmen Sie die Achse (**Abb. 16 (4)**).

Modell Cooler oder Tank

Die oberen Nasen lösen. Das Blech an den Öffnungen von unten aus ausrichten. Die oberen Nasen erneut festdrücken (**Abb. 18**).

Tank (53)

Nach dem Verschließen in die Führungen des Unterschranks einschieben (**Abb. 17**).

Hahn Tank (55)

Verwenden Sie das Gewinde, um den SB-Hahn am Behälter Tank zu befestigen. Vergewissern Sie sich, dass er senkrecht ausgerichtet ist (**Abb. 17.1**).

Der Hahn Tank kann auf kontinuierlichen oder nicht kontinuierlichen Betrieb eingestellt werden. Einfach den Ziehgriff 180° drehen und nach unten drücken. Der Hahn wird arretiert und ermöglicht freien Auslass.

Zur Reinigung kann der obere Teil des SB-Hahns ausgebaut werden (**Abb. 17.2**).

Füllstandsensor (56)

Dieses Element muss nur im Fall einer Ersatzteilbestellung ausgebaut werden. Wichtig ist, den Sensor wieder in dieselbe Position wie das Originalteil zu bringen. Wenn es sich bei Ihrer Maschine um ein Modell Tank handelt, befindet sich der Sensor oben, bei einer Maschine Modell Cooler befindet sich der Sensor unten (**Abb. 5, 5+ oder 6**).

Kühleinheit (70)

Bringen Sie die Kühleinheit an der davor vorgesehenen Stelle im Unterschrank an (**Abb. 6**).

Montieren Sie die Bestandteile wie in **Abb. 18** gezeigt in der folgenden Reihenfolge:

- Montieren Sie den Dichtungskolben und den Hebel im Behälter in der in der Zeichnung nummerierten Reihenfolge.
- Bringen Sie den Behälter an.
- Richten Sie den Deckel der Pumpe im Inneren des Behälters mit dem Pfeil in Ihre Richtung zeigend an.
- Befestigen Sie die Befestigungsplatte aus Metall und damit gleichzeitig den Behälter.

Podium Self Service/Tank (90), Podium Self Service Pro +Plus (90+), Podium Cooler (100)

Aufsetzen der Maschine auf dem Display Unterschrank:

- ! **Wichtig:** Für diesen Vorgang sind 2 bis 3 Personen erforderlich. Dieser Schritt darf nie von einer Person allein vorgenommen werden.

Blockieren Sie die vorderen Rollen des Unterschranks mit dem Bremspedal, damit er sich während der Installation nicht bewegen kann.



Nach dem Entfernen der Verpackung des Unterschranks die Schrauben der Befestigungswinkel lösen und für später aufheben. Siehe Detail "A" von **Abbildung 8**.

Im Inneren des Unterschranks befinden sich die Schalenaustritte und die Tropfauffangschale des Unterschranks mit dem Filter.

Setzen Sie die Maschine auf den Unterschrank, wobei die inneren Ecken der Maschinenbasis mit den zwei Gummistollen des Unterschranks übereinstimmen müssen, damit die Öffnungen der Befestigungswinkel mit den Öffnungen der Maschine übereinstimmen. Jetzt können Sie die Maschine mit den zuvor beiseite gelegten Schrauben befestigen (**Abb. 5 oder 6**).

Hinweis:

Maschine und Display Unterschrank sind, wie in dieser Anleitung beschrieben, mit den gelieferten Schrauben verbunden.

Versuchen Sie nie, Maschine und Unterschrank zu kippen. Um das Gerät zu bewegen, muss die Bremse der Rollen gelöst werden.

Besonderheiten Podium Self Service/Tank (90)

Befestigen Sie für den Unterschrank Self Service und Tank die Tropfauffangschale mit dem Filter im Display Unterschrank.

Das Bauteil 90.7 variiert je nach erworbenem Unterschrankmodell:

Unterschrank Self Service: Bauteil Filter Unterschrank SS (90.7A).

Unterschrank Tank: Bauteil Behälterführungen TANK (90.7B).

Die Position von Bauteil Frontblende Tablett (90.8) und Filter Tablett (90.9) kann zur Anpassung an die verschiedenen Formate von Flaschen und Bechern verändert werden.

Besonderheiten Podium Self Service Pro +Plus (90+)

Der Unterschrank SS Pro+Plus (90+) verfügt über zwei getrennte Abfallbehälter.

Denken Sie stets daran, beide Behälter einzusetzen.

Besonderheiten Podium Cooler (100)

Siehe **Abbildung 6** und **9.1** für die korrekte Anbringung der Bauteile.

Führen Sie das Stromkabel der Kühleinheit durch die Öffnung der hinteren Klappe. Diese Klappe kann im Bedarfsfall abgeschraubt werden (**Abb. 9.2**).

Einbau Drain&Clean System

! **Wichtig!** Nehmen Sie die Maschine vom Strom.

Podium Self Service/Tank (90)

Falls bereits montiert, entfernen Sie Schalenaustritt (90.6), Filter Unterschrank SS (90.7A) und Trichter Unterschrank (90.3) (**Abb. 8**). Öffnen Sie die vordere Tür. Falls eingebaut, entfernen Sie die Sicherheitsschraube Spritzgusskunststoff (6) sowie den Deckel Unterschrank SS/Tank (80.5).

Greifen Sie mit der Hand in die obere Öffnung (**Abb. 7.2**), und legen Sie den Schlauch (80.4) in die Öffnung (**Abb. 7.2**). Ziehen oder halten Sie dabei kein anderes Teil der Maschine.

Befestigen Sie anschließend die untere Abdeckung mit den beiden gelieferten Sicherheitsschrauben und bringen Sie die zuvor ausgebauten Teile erneut an (**Abb. 7.2**).

Siehe Detailansicht für die Anbringung der Bauteile (**Abb. 8**).

Podium Self Service Pro +Plus (90+)

Öffnen Sie die vorderen Türen und nehmen Sie die Abfallbehälter heraus (**Abb. 8+**). Falls eingebaut, entfernen Sie die Sicherheitsschraube Spritzgusskunststoff (6) sowie den Deckel Unterschrank SS/Tank (80.5).

Greifen Sie mit der Hand in die obere Öffnung (**Abb. 7.2**), und legen Sie den Schlauch (80.4) in die Öffnung (**Abb. 7.2**). Ziehen oder halten Sie dabei kein anderes Teil der Maschine.

Befestigen Sie anschließend die untere Abdeckung mit den beiden gelieferten Sicherheitsschrauben und bringen Sie die zuvor ausgebauten Teile erneut an (**Abb. 7.2**).

Siehe Detailansicht für die Anbringung der Bauteile (**Abb. 8+**).

2. Ausbau

Der Ausbau der Bauteile erfolgt in umgekehrter Reihenfolge der Anweisungen im jeweiligen Abschnitt.



Allgemeine Funktionsweise

Nach korrekter Installation der Maschine sind vor dem Anschluss an das Stromnetz die elektrischen Daten zu überprüfen. Sollten keine Probleme gefunden werden, kann die Maschine an das Stromnetz angeschlossen werden.

Betätigen Sie die grüne Taste **ON**, um die Maschine einzuschalten. Die LED-Anzeige der Taste **ON/OFF** sowie das digitale Display der Maschine leuchten auf.

Vor der Inbetriebnahme der Maschine mit Orangen ist eine Kalibrierung der leeren Maschine erforderlich. Dazu im KUNDENMENÜ den Abschnitt Kalibrierung aufrufen oder die Maschine ca. 1 Minute leer laufen lassen, bis sie stoppt.

Für eine korrekte Zählweise kann die Einstellung des Parameters Offset im Anschluss an die Kalibrierung des Gerätes erforderlich sein.

Fall 1: Es werden nicht alle Orangen gezählt. Reduzieren Sie den Wert Offset.

Fall 2: Es werden zu viele Orangen gezählt. Erhöhen Sie den Wert Offset.

Rufen Sie dazu **MENÜ>5.Kalibrierung>2.Offset** auf und stellen Sie den Wert ein. Verlassen Sie das Menü und überprüfen Sie die Zählung ohne Früchte und dann mit 2 oder 3 Orangen. Wiederholen Sie diesen Prozess, bis Sie den Wert ermittelt haben, der die korrekte Zählweise des Gerätes ermöglicht.

Zur Vermeidung von Fehlern bei der Zählung sollte das Gerät nicht mit einer Orange zwischen Trommeleinsatz und Trommelgehäuse stillstehen.

Bei allen Modellen wird der Orangenzähler angezeigt. (Abweichung +-1%)

Vergessen Sie nicht, einen Krug oder einen Becher unter den Saftauslass der Maschine zu stellen.

Sollte ein Sicherheitselement fehlen, startet die Maschine erst, wenn das fehlende Element angebracht wurde.

Im Bedarfsfall können Sie die Maschine jederzeit folgendermaßen ausschalten:

- A** Durch Lösen des entsprechenden Betätigungselements, z. B. Hahn.
- B** Durch Drücken der Taste **STOP**.
- C** Durch Drücken der roten Taste **OFF**.
- D Nur Im Notfall:** Durch Trennen des Anschlusskabels der Maschine vom Stromnetz.
- E** Wenn die Maschine keine Orangen erkennt, stoppt sie ca. 60" nach dem Durchlauf der letzten Orange.

Befüllen der Zuführung

Um die Zuführung der Maschine mit Orangen zu beschicken, kann die Tür Zuführungskorb (14) geöffnet werden, um Orangen direkt aus der Kiste einzufüllen. Schließen Sie die Tür erneut und befüllen Sie den Korb vollständig.

Presseinheit

Vergewissern Sie sich, dass an der Maschine sämtliche Elemente für Aufschneiden der Orangen, Entsaftung und Auffangen des Saftes montiert sind. Vergleichen Sie dazu das jeweilige Maschinenmodell mit den entsprechenden Zeichnungen und Abschnitten: *Entfernung der Verpackung und Inbetriebnahme. Ein- und Ausbau der Einzelnen Elemente je nach Modell.*

Überprüfen Sie den Zustand von Behältern und Filter, um einen hochwertigen Saft gewährleisten zu können.

Falls Sie über eine Maschine mit Schnell-Reinigungsset (19+) verfügen, können Sie die Entsaftungseinheit in einem einzigen Schritt einsetzen und entnehmen.

Saftausgabe

Falls Sie über ein Gerät mit den folgenden Bestandteilen verfügen:

- Automatisches PulpOut-System (42+), Fruchtfleisch und Reste von Kernen werden über die linke Seite der Maschine entsorgt.
- Manuelle Filterreinigungsvorrichtung (43): Verwenden Sie die Bürste, um Reste von Fruchtfleisch und Kernen über den Filter in die Abfallbehälter zu schieben.
- SB-Hahn SS (44), SB-Hahn SS Pro +Plus (44+) o Hahn Tank (55): Lesen Sie die Anweisungen zum SB-Hahn SS im Abschnitt Montage und Demontage je nach Modell.
- Automatische Füllfunktion: Die Maschine stoppt automatisch, wenn der Höchstfüllstand erreicht wurde. Denken Sie daran, den Schwimmer Tank/Cooler (52) entsprechend der Anweisungen an der richtigen Stelle anzubringen. Sie können außerdem die Füllmenge festlegen.

Abfallbereich

Vergewissern Sie sich, dass die Elemente zur Aufnahme der Orangenschalen korrekt an der jeweiligen Stelle angebracht sind.

Überprüfen Sie den Füllstand der Behälter, um zu vermeiden, dass Schalen überquellen.

Sie können zudem die Funktion **Abfallgrenze** möglich. Durch die Programmierung eines Alarms stoppt die Maschine, wenn der Abfalleimer voll ist.



Sie können die Anzahl der ausgepressten Orangen festlegen, bei der der Alarm ausgelöst wird. Bei Erreichen der festgelegten Anzahl von ausgepressten Orangen stoppt die Maschine und auf dem Display erscheint ein Hinweis mit der Aufforderung, den Abfalleimer zu leeren.

Wenn Sie eine Maschine mit Podest erworben haben, fallen die Schalen direkt in den Abfallwagen (90.4) oder Schaleneimer (100.3).

Um die Funktion **Waste Limit** zu deaktivieren, bitte den **OK**-Knopf 2 Sekunden gedrückt halten.

Achtung!

"Ok kurz" gedrückt halten deaktiviert die Funktion nicht.

"Ok lang" lang gedrückt halten deaktiviert die Funktion.

Um die Funktion zu deaktivieren bitte den Abschnitt **Abfallgrenze** im **MENÜ WÄHLEN**.

Wenn die Maschine ausgeschaltet oder vom Netz getrennt wird, erfolgt eine Stornierung der Abfall-Alarmfunktion, die dann erneut bei Null beginnt.

Bedienung der Maschine

Allgemeines

Bei allen Modellen besteht die Möglichkeit, zwischen Betriebsmodus **Profi** und Betriebsmodus **Automatik** zu wählen. Um von einem Betriebsmodus zum anderen zu wechseln, muss die Taste **Mode** einige Sekunden lang gedrückt werden. Bei jedem Wechsel vom Betriebsmodus **Automatik** zu **Profi** werden Sie aufgefordert, die Anzahl der auszupressenden Orangen zu programmieren. Soll die Anzahl jedoch nicht verändert werden, einfach einige Sekunden abwarten oder die Taste **OK** kurz betätigen. Soll die Anzahl verändert werden, Taste + - zur Einstellung der Menge und anschließend die Taste **OK** drücken, bis das Symbol für **Gespeichert** angezeigt wird.

Modell Speed Pro Basic

BETRIEBSMODUS AUTOMATIK

Im Betriebsmodus Automatik:

 **START** Startet die Maschin

 **STOP** Stoppt die Maschine

Kontinuierlicher Betrieb.

BETRIEBSMODUS PROFI

Mindestanzahl Orangen  1

Höchstanzahl Orangen  12

Werkseinstellung  3

Betrieb bis zum Erreichen der eingestellten Anzahl.

Speed Pro Self Service, Speed Pro +Plus Self Service Speed Pro Self Service Podium, Speed Pro +Plus Self Service Podium

Die Taste **START** ist nicht aktiv. Sie ist nur im Betriebsmodus **MANUAL** aktiv.

BETRIEBSMODUS AUTOMATIK


Steuerung über den SB-Hahn SS (44) /
SB-Hahn SS Pro +Plus (44+).

Kontinuierlicher Betrieb,
solange der Hahn betätigt wird.

BETRIEBSMODUS PROFI

Steuerung über den Hahn,
solange er betätigt wird.

Mindestanzahl Orangen  1

Höchstanzahl Orangen  12

Werkseinstellung  3

BETRIEBSMODUS MANUAL

(Für den Fall, dass der Hahn nicht funktioniert)


Im Betriebsmodus Manual ist die Taste **START** aktiv.


Im Betriebsmodus Manual kann die Maschine weiter
im Betriebsmodus Automatik und Profi über die
Tastatur bedient werden.


MANUAL "AUTOMATIK"

Kontinuierlicher Betrieb.

MANUAL "PROFI"

Mindestanzahl Orangen  1

Höchstanzahl Orangen  12

Werkseinstellung  3

Die Taste **STOP** ist immer betriebsbereit.

Hahn Self Service (44), Hahn Self Service Pro +Plus (44+)

Sie haben einen Multifunktionshahn erworben. Es besteht die Möglichkeit, Saft einzeln oder kontinuierlich zu liefern, ohne dass der Taster gedrückt gehalten werden muss.

Für die verschiedenen Möglichkeiten siehe: Ein- und Ausbau der Einzelnen Elemente je nach Modell, Hahn Self Service (44), Hahn Self Service Pro +Plus (44+).

Speed Pro Tank Podium (90), Speed Pro +Plus Tank Podium (90+), Speed Pro Cooler Podium (100)

Vergewissern Sie sich immer, dass Tank (53) oder Behälter (70.6) so nahe wie möglich am Sensor an der Basis montiert ist. Prüfen Sie, ob der Schwimmer korrekt im Deckel montiert und frei beweglich ist (Abbildung 5 und Abbildung 6).

Wenn der Schwimmer Tank/Cooler (52) nicht montiert wurde, arbeitet die Maschine nicht (Abb. 16).

BETRIEBSMODUS AUTOMATIK	1
Beim Einschalten der Maschine am Beginn eines Arbeitstages die Taste START betätigen, um die Maschine zu starten.	
Die Maschine beginnt nun, Saft auszupressen, bis der Behälter gefüllt ist und der Füllstandsensor (56) den Schwimmer Tank/Cooler (52) nicht mehr erfasst. In diesem Moment stoppt die Maschine.	2
Bei Sinken des Füllstands startet die Maschine immer wieder erneut, wenn im Betriebsmodus Automatik ca. 15" vergehen, ohne dass der Schwimmer erfasst wird.	3
Solange nicht STOP gedrückt wird, erfolgt die Anzeige des vollen oder halbvollen Tanks, die besagt, dass die Maschine nicht arbeitet, obwohl der Betriebsmodus Automatik eingestellt wurde. Die Maschine wartet ab, bis der Tank leer ist, um den Füllvorgang erneut zu starten. Beim Drücken auf STOP verschwindet die Anzeige und die Maschine stoppt den Betrieb.	4

BETRIEBSMODUS PROFI

Die Maschine startet beim Drücken auf **START** und stoppt, wenn der Füllstandsensor (56) den Schwimmer Tank/Cooler (52) nicht erfasst oder das eingestellte Volumen erreicht wurde. Wenn der Füllstand sinkt, startet die Maschine erst, wenn erneut **START** gedrückt wird.

1

Je nach Ihrem Saftbedarf sind 3 verschiedene Füllstände möglich.

2

BETRIEBSMODUS MANUAL (Für den Fall, dass der Sensor nicht funktioniert)

Bei einer Störung des Füllstandssensors (56) muss das Menü aufgerufen und **BETRIEBSMODUS MANUAL** aktiviert werden. Daraufhin ist die Maschine ohne Füllstandsensor betriebsfähig, bis der Sensor repariert wird.

MANUAL "AUTOMATIK"

Kontinuierlicher Betrieb.

1

MANUAL "PROFI"

Programmieren Sie die Anzahl der auszupressenden Orangen. Die Maschine stoppt bei Erreichen des eingestellten Wertes oder bei Betätigung der Taste **STOP**.

2

Achtung! Im Betriebsmodus Manual muss der Füllstand des Saftes kontrolliert werden, damit kein Saft überläuft. Die Füllstandskontrolle arbeitet in diesem Betriebsmodus nicht.



Speed Pro Cooler: Kühleinheit

Schalten Sie das Kühlaggregat am Schalter links beim Saftauslass des Behälters ein. Die Regelung der Safttemperatur erfolgt über den rechts angebrachten Regler. Drehen im Uhrzeigersinn führt zu mehr, **Drehen gegen den Uhrzeigersinn zu weniger Kühlung**.

Betätigen Sie den Hebel am Behälter, um einen Becher oder einen Krug zu füllen.

! **Wichtig!** Denken Sie daran, die Kühleinheit (70) beim Ausschalten der Maschine ebenfalls auszuschalten, um unnötigen Verbrauch zu vermeiden.

Konfiguration

Bei der Saftpresse Zumex **Speed Pro oder Speed Pro +Plus** können bestimmte Parameter nach Bedarf eingestellt werden.

Der Betriebsmodus der Maschine lässt sich elektronisch einstellen. Damit können über die **MENÜS** Attribute und Funktionsweisen gewählt werden.

Zum Aufrufen des **MENÜS** die Tasten **STOP** und **MODE** mindestens 2" lang drücken und den werkseitig eingestellten PIN-Code (0000) eingeben.

Im MENÜ sind die folgenden Konfigurationen möglich:

SPRACHE: Es steht eine Auswahl von 23 Sprachen zur Verfügung.

PIN: PIN anzeigen oder ändern, damit keine Maschinenparameter unbefugt verändert werden können.

ZÄHLER: Gesamt- oder Teilzähler der Maschine anzeigen. Reset des auf dem Hauptdisplay angezeigten Teilzählers. Um den Zähler der Maschine zurückzusetzen, die Tasten STOP+START mindestens 3" lang gedrückt halten, bis der Zähler 0000000 anzeigt.

FIXZÄHLER aufsteigend oder absteigend: Zur Einstellung der auszupressenden Orangen. Die Maschine stoppt in auf- oder in absteigender Richtung, bis eine neue Anzahl programmiert wird.

ARRETIERUNG DES BETRIEBSMODUS: Es besteht die Möglichkeit, die Maschine so einzustellen, dass sie nur im Betriebsmodus Automatik oder Profi arbeitet oder sogar, dass lediglich die von Ihnen eingestellte Anzahl der auszupressenden Orangen oder von Ihnen vorgegebene Saftmenge produziert wird.

BETRIEBSMODUS MANUAL (Notfall-Betriebsmodus): Bei Maschinenmodellen mit einem Schalter oder Sensor für Notfall-Betrieb kann dieser durch Wählen des Betriebsmodus **MANUAL** storniert werden [Modell Self Service: SB-Hahn (44). Modell Tank und Cooler: Füllstandsensoren (56)].

ABFALLGRENZE: Möglichkeit zur Aktivierung eines Alarms, damit die Maschine bei Erreichen der festgelegten Anzahl von ausgepressten Orangen stoppt mit dem Hinweis, dass der Abfallimerer geleert werden muss.

PULPOUT-SYSTEM: Sie können das PulpOut-System aktivieren, um Fruchtfleisch und Kerne automatisch zu beseitigen. Sie können zwischen ununterbrochenem und regelmäßigem Modus wählen.

Im **ununterbrochenen Modus** wird das Fruchtfleisch während der Entsaftung ständig beseitigt. Verlängern Sie vor der Reinigung die Laufzeit des Systems und somit die Nutzungszeit.

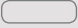

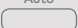

Im **regelmäßigen Modus** ist eine längere Filterphase möglich. Sie können je nach Sorte der verwendeten Zitrusfrüchte und der Menge an Fruchtfleisch einstellen, wie häufig das System aktiv werden soll. Bei einer schnelleren Frequenz wird das System in kürzeren Zeitintervallen aktiv.

Auf diese Weise setzt sich das Band je nach gewähltem Programm nach den folgenden Entsaftungszyklen in Gang:



Zudem können Sie die Funktion "Automatische Reinigung" aktivieren, durch die sich das Band automatisch nach dem letzten Entsaftungsvorgang reinigt. Im unterbrochenen Modus wird die Funktion "Automatische Reinigung" 30 Sekunden nach der letzten Entsaftung aktiv.

Im Digital-Display werden unter anderem die folgenden Anzeigen dargestellt:

	Ununterbrochener Modus
	Unterbrochener Modus mittlere Geschwindigkeit
	Ununterbrochener Modus mit Funktion "Automatische Reinigung"
	Unterbrochener Modus hohe Geschwindigkeit mit Funktion "Automatische Reinigung"

Jede Situation, bei der das PulpOut-System in Betrieb ist, kann durch Drücken der Taste "STOP" unterbrochen werden. Im ununterbrochenen Betriebsmodus mit "Automatische Reinigung" muss die Taste "STOP" zweimal gedrückt werden, um die Maschine anzuhalten, und ein weiteres Mal, um die automatische Reinigung anzuhalten.

KALIBRIERUNG: Eine Kalibrierung der Maschine für korrekte Zählweise ist jederzeit möglich.

MASCHINEN-STATUS: Zugang zu den verschiedenen Störungen, die zu einem Maschinen-Stopp geführt haben können.

KONTRAST: Regelung der Helligkeit des Displays.

Achtung! Im Betriebsmodus KUNDENMENÜ:

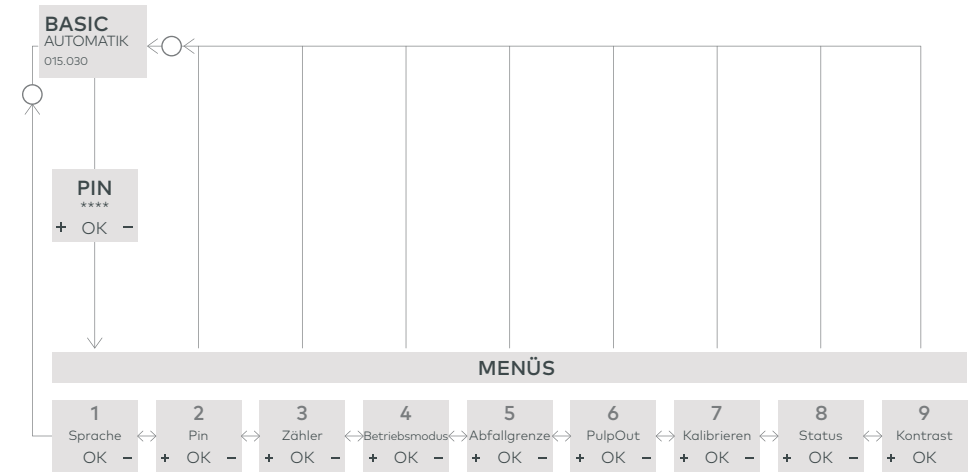
"Ok kurz" zum Aufrufen einer niedrigeren Stufe.

"Ok lang" zum Aufrufen einer höheren Stufe.

"Ok lang" zum Speichern einer Angabe (Speicherungssymbol wird angezeigt)

Zum Verlassen des KUNDENMENÜS müssen alle vorher nach unten aufgerufenen Stufen nach oben durchlaufen werden.

Menü-Schema Hauptmenü



1	SPRACHE. Sprache für die Bedienung der Maschine auswählen.	6
2	PIN. PIN anzeigen oder ändern.	7
3	ZÄHLER. Gesamt- oder Teilzähler der Maschine anzeigen.	8
4	BETRIEBSMODUS. Betriebsmodus wählen: Automatik oder Profi.	9
5	ABFALLGRENZE. Aktivieren eines Hinweises, dass der Abfalleimer geleert werden muss.	
	PULPOUT. Wählen Sie den Funktionsmodus für das Automatik System Pulp-out.	
	KALIBRIERUNG. Maschine für eine korrekte Zählweise kalibrieren.	
	STATUS. Die verschiedenen Störungen aufrufen, die zu einem Maschinen-Stopp geführt haben können.	
	KONTRAST. Regelung der Helligkeit des Displays.	



Reinigung

Zumex empfiehlt, die Maschine je nach Einsatz mindestens 1 bis 2 Mal täglich zu reinigen, um die Voraussetzungen für Lebensmittelhygiene zu erfüllen.

Führen Sie zur richtigen Reinigung des Gerätes die folgenden Schritte aus:

- A** Alle Kunststoffteile können in der Spülmaschine gereinigt werden, mit Ausnahme des Saftbehälters Speed Pro Cooler.
- B** Um ein vorzeitiges Rosten des Edelstahls zu verhindern, wird empfohlen, den (44) SB-Hahn SS, (44+) und SB-Hahn SS Pro +Plus nicht in der Spülmaschine zu waschen.

Für alle Modelle gilt:

- 1** Maschine vom Stromnetz trennen.
- 2** Lesen Sie den entsprechenden Abschnitt im Kapitel Montage und Demontage der Bestandteile nach Modell für *Informationen zur Montage und Demontage*.
- 3** Seitliche Ausgänge abmontieren.
- 4** Abdeckung abmontieren.
- 5** Montage und Demontage der Einzelteile nach Modell.

Speed Pro Basic, Speed Pro Self Service, Speed Pro Self Service Podium, Speed Pro Tank Podium, Speed Cooler Podium

- 6** Messerhalter ausbauen, dazu am Griff nach außen ziehen.
- !** **Vorsicht!** Mit diesem Teil vorsichtig umgehen es besteht die Gefahr von Schnittverletzungen.
- 7** Schalenabscheiderkeile aus der Halterung nehmen (**Abb. 1**).
- 8** Entsaftungsstrommeln paarweise ausbauen, dabei zuvor die entsprechenden Sicherheitsschrauben lösen (**Abb. 1**).
- 9** Saftbehälter und Filter je nach Modell gemäß Abbildung ausbauen, siehe dazu: *Entfernung der Verpackung und Inbetriebnahme*.

Speed Pro +Plus Self Service, Speed Pro +Plus Self Service Podium, Zumex Speed Pro +Plus Tank Podium

- 6*** Entnehmen Sie das Schnell-Reinigungskit (19+) aus der Maschine.

Sie können es auf zwei Arten reinigen:

- **Reinigung des vollständigen Kits:** beseitigen Sie eventuell vorhandene Reste von Fruchtfleisch und Schalen durch Waschen mit Wasser und gegebenenfalls mit milder Seife, nachdem Sie das Kit aus der Maschine entnommen haben. Sie können es auch in der Spülmaschine reinigen.
- **Gründliche Reinigung:** alle Einzelteile können für eine gründlicheren Reinigung einzeln ausgebaut werden. Zumex empfiehlt abhängig von der Nutzung der Maschine, das Schnell-Reinigungskit mindestens einmal wöchentlich zu reinigen.

- 7*** Entnehmen Sie den Messerhalter Pro +Plus (9+) und reinigen Sie es vorsichtig, um sich nicht zu schneiden.
- 8*** Entnehmen Sie die PulpOut-System (42+).
- 9*** Für die ordnungsgemäße Reinigung aller Bestandteile der Einheit müssen diese demontiert und einzeln gereinigt werden. Dies kann von Hand oder in der Spülmaschine erfolgen.

Hinweise

- C** Reinigung der Elemente, die sich nicht ausbauen lassen: Mit einem mit Wasser und Seife angefeuchteten Tuch säubern und anschließend mit Wasser spülen.
- D** Achten Sie darauf, dass ähnlich aussehende Teile an unterschiedlichen Seiten montiert werden müssen.
- E** Durchsichtige Teile und Geschirrspüler: Die Reinigung dieser Teile ist im Geschirrspüler möglich. Es ist jedoch darauf zu achten, Reiniger, Salz und Glanzspüler korrekt zu verwenden, damit die Teile ihren Glanz und ihre Transparenz nicht verlieren.
- F** Bei Modellen mit Hahn: Schrauben Sie für eine gleichmäßige Reinigung den Hahn des Behälters ab und entfernen Sie die Drucktaste vom Gerät. Denken Sie daran, für eine gründliche Reinigung die Hähne wie in den folgenden Abschnitten beschrieben abzumontieren: SB-Hahn SS (44), SB-Hahn SS Pro +Plus (44+), Hahn Tank (55) in *Montage und Demontage nach Modell*.
- G** Bei Modellen mit Drain & Clean System empfiehlt Zumex den Schlauch mindestens einmal wöchentlich auch innen mit einer langen Bürste über die Öffnung der Zuführung (poner figura) zu reinigen, um das Verstopfen dieses Bereiches zu vermeiden.
- H** Zuführung: Auch wenn Ihr Modell über ein Drain & Clean-System verfügt, ist es ratsam, den Drehteller der Zuführung für eine vollständige Entfernung von Wachs und Schmutzrückständen abzumontieren.
- I** Für schwierig zu reinigende Stellen empfehlen wir die Verwendung der mitgelieferten Bürste (**Abb. 1**).



Zubehör

Entdecken Sie eine große Auswahl an Zubehör, mit dem Sie Ihren Entsafter an Ihre Bedürfnisse anpassen können:

Schnell-ReinigungsKit

In nur 10 Sekunden können Sie das komplette Presswerk ausbauen und die Elemente im Geschirrspüler oder unter dem Wasserhahn reinigen. So dass Ihre Maschine wieder sauber und einsatzbereit ist.

*Zubehöerteil für die gesamte Speed Pro Serie. Enthält die Presswerkteile.

Kit S

Für die Verarbeitung von Früchten mit einem Durchmesser 45 mm und 67 mm.

Kit L

Für die Verarbeitung von Früchten mit einem Durchmesser zwischen 75 mm und 95 mm.

DCS System

Zum Entsaften weicher oder sehr reifer Zitrusfrüchte.

Unterschrank-Display

Damit Sie Ihre Flaschen mit gepresstem Saft immer frisch und griffbereit haben. In zwei Größen erhältlich.

Kit zum Pressen von Abfällen

Presst Abfälle in Stiftform für eine praktische und leichte Entsorgung.

Flaschenregal

Zubehör zur Ausgabe von Flaschen, Bechern und Gläsern im SB-Bereich. Enthält drei Tablett (mit 4 Höheneinstellungen). Im Unterschrank integriert. Ermöglicht den leichten Transport der gesamten Einheit.

Zumex Pack

Zubehör zur Abfüllung frischer Getränke in Flaschen für den Verkauf, insbesondere für frischgepressten Orangensaft. Erhältlich in 6 Formaten (1.5 l, 1 l, 75 cl, 50 cl, 33cl y 25 cl) und mit individuell anpassbaren Klebern.

Informieren Sie sich auf der Website www.zumex.com über Zubehör zu Ihrer Maschine.

Fehlersuche und Praktische Tipps

Zur Entfernung einer Fehlermeldung Taste **OK** kurz betätigen und überprüfen, ob die Ursache für die Störung gemäß der unten abgebildeten Tabelle behoben wurde.



FEHLER 	MÖGLICHE URSACHE 	MASSNAHME 
01 Abdeckung	Sicherheitsvorrichtung der Abdeckung wird nicht erkannt	Sitz der Abdeckung überprüfen Sitz der seitlichen Ausgangsöffnung überprüfen Sitz des Magneten überprüfen Anschlusskabel überprüfen Abdeckungssensor überprüfen
02 Wanne	Behälter wird nicht erkannt	Sitz des Behälters überprüfen Kabelanschlüsse überprüfen Behältersensor überprüfen
03 Motorleistung	Der Motor arbeitet nicht mit der korrekten Spannung	Netzspannung überprüfen Elektronikplatine überprüfen
04 Unterbruch	Unterbrechung der Stromzufuhr	Netzkabel überprüfen Innenverkabelung überprüfen
05 Überstrom	Der Motor weist einen zu hohen Verbrauch auf	Entsaftungssystem auf Fremdkörper überprüfen Härte der Früchte überprüfen Motor überprüfen Kühlung überprüfen
06 Ohne Schwimmer	Schwimmer wird nicht erkannt	Schwimmer korrekt anbringen Tank korrekt anbringen Verkabelung überprüfen Sensor überprüfen
07 Kredit	Zählerlimit erreicht	Zählerlimit aufheben Zählerlimit neu programmieren
08 Abfallgrenze	Zählerlimit erreicht	"OK" gedrückt halten, bis ein zweimaliges "Beep" ertönt





ZUMEX PRESENTA

L'ampliamento della sua gamma più veloce e più robusta

Speed Pro e Speed Pro +Plus sono state progettate per soddisfare una richiesta elevata di succo di frutta. I nuovi modelli sono più pronti che mai a fornire un servizio efficace, sicuro e impeccabile a ristoranti, caffetterie e supermercati.

Scopri le loro prestazioni e facilità di pulizia.

Il seguente manuale si riferisce ai modelli Speed Pro e Speed Pro +Plus.



Registra qui
tuo Speed Pro

Speed Pro

Manuale per l'uso. Istruzioni originali.

In questo manuale troverai tutto l'occorrente per il montaggio e la messa in servizio della nuova macchina spremiagrumi della serie Speed Pro o Speed Pro +Plus, oltre a informazioni sul funzionamento, caratteristiche, accessori, consigli e precauzioni.

Ti preghiamo di leggere attentamente le istruzioni per sfruttare al massimo le prestazioni della tua Speed Pro, e sentirai la differenza.

INDICE

- 3** ALLEGATO
- 178** INFORMAZIONI GENERALI IMPORTANTI
- 132** CARATTERISTICHE TECNICHE
- 183** ISTRUZIONI PER L'USO
 - 183** PREPARAZIONE
 - 183** DISIMBALLAGGIO E MESSA IN SERVIZIO
 - 186** MONTAGGIO E SMONTAGGIO DEI COMPONENTI IN BASE AL MODELLO
 - 196** FUNZIONAMENTO GENERALE
 - 202** CONFIGURAZIONE
 - 206** PULIZIA
 - 208** ACCESSORI
- 210** RILEVAMENTO DI GUASTI E CONSIGLI
- 211** DICHIARAZIONE DI CONFORMITÀ EU

Zumex si riserva il diritto di modificare senza preavviso le informazioni contenute in questo manuale.



Informazioni generali importanti

Il presente manuale fa riferimento ai seguenti modelli di Zumex

Modelli da tavolo	Zumex Speed Pro Basic
	Zumex Speed Pro Self Service
	Zumex Speed Pro +Plus Self Service
Modelli con mobile	Zumex Speed Pro Self Service Podium
	Zumex Speed Pro +Plus Self Service Podium
	Zumex Speed Pro Tank Podium
	Zumex Speed Pro +Plus Tank Podium
	Zumex Speed Cooler Podium

Prima di iniziare, ti consigliamo di tenere conto delle seguenti precauzioni:

- I dati specifici della macchina spremiagrumi Zumex (tensione, frequenza, e altri dati di interesse) sono disponibili sull'Etichetta Identificativa che si trova sulla macchina stessa.
- Per eventuali consultazioni tecniche, contattare il Distributore abituale / Servizio di Assistenza Tecnica Ufficiale e indicare il Numero di Serie dell'Etichetta Identificativa della macchina.
- Zumex adotta le misure necessarie per fare in modo che le macchine messe sul mercato siano raccolte in modo selettivo e ricevano una adeguata gestione ambientale. Si prega di mettersi in contatto con il distributore autorizzato di Zumex per smaltire correttamente queste macchine.

Non intervenire sulla macchina se sprovvista degli elementi di sicurezza.

- Questo apparecchio può essere utilizzato da bambini di età pari o superiore a 8 anni e da persone con ridotte capacità fisiche, sensoriali o mentali o mancanza di esperienza e conoscenza, a condizione che siano sorvegliati e istruiti in merito all'utilizzo sicuro dell'apparecchio e siano consapevoli dei rischi connessi.
- Assicurarsi che i bambini non giochino con la macchina.
- La pulizia e la manutenzione non possono essere realizzate da bambini senza la supervisione di un adulto.
- Questa macchina, nella parte posteriore, è dotata di un morsetto per il collegamento della Messa a Terra di altri apparecchi alla Messa a Terra dell'impianto. Per utilizzarlo,



allentare i dadi e le rondelle, inserire il cavo di Messa a Terra dell'apparecchio ausiliare e riserrare i dadi e le rondelle. Tale punto di equipotenzialità è contrassegnato dal seguente simbolo:



- Non pulire l'apparecchio con getti d'acqua.
- Questa macchina è stata **progettata per la spremitura di agrumi dalle dimensioni indicate in questo manuale**: Arance, Mandarini, Lime, Melograni e Pompelmi.
- Non utilizzare frutta diversa da quella specificata nel manuale.
- Durante la pulizia, manutenzione o sostituzione di pezzi, assicurarsi che la spina del cavo di alimentazione sia sempre staccata dalla presa di corrente e ben visibile.
- Per evitare di tagliarsi, maneggiare gli elementi di taglio con molta attenzione.
- I pezzi che sono a contatto con alimenti devono essere puliti seguendo le istruzioni che si trovano nel capitolo dedicato alla pulizia.

- Se il cavo di alimentazione è danneggiato, deve essere sostituito da un cavo o da un dispositivo speciale che dovrà essere fornito dal produttore o dal suo servizio post-vendita.
- Il cavo viene spedito insieme a una protezione che evita l'estrazione accidentale del cavo. Si prega di inserire questa protezione come indicato nelle istruzioni per garantire la sicurezza dell'apparecchio.

Le istruzioni possono essere aggiornate in qualsiasi momento. È possibile consultare le istruzioni aggiornate nel nostro sito web www.zumex.com, all'interno della sezione dedicata al modello scelto.

Per eventuali suggerimenti o commenti volti a migliorare le nostre macchine o la nostra rete di servizio, si prega di contattare direttamente Zumex al seguente indirizzo:

 **ZUMEX GROUP, S.A.**

Polígono Ind. Moncada III C/Molí 2. 46113 Moncada. Valencia. Spagna.

Tel. +34 961 301 251 · Fax: +34 961 301 255

zumex@zumex.com / www.zumex.com

ZUMEX SERVICE

Tel. +34 960 800 999 · service@zumex.com



Caratteristiche tecniche

Modello	Peso		Dimensioni Larghezza x Profondità x Altezza	
Speed Pro Basic	64.7 Kg	142.4 lb	593x574x989 mm	23.35"x22.6"x38.94"
Speed Pro Self-Service	72.4 Kg	159.4 lb	593x658x1050 mm	23.35"x25.91"x41.34"
Speed Pro +Plus Self-Service	74.4 Kg	163.8 lb	593x675x1050 mm	23.35"x26.57"x41.34"
Speed Pro Self-Service Podium	119.6 Kg	262.8 lb	675x700x1765 mm	26.57"x27.56"x69.49"
Speed Pro +Plus Self-Service Podium	147.7 Kg	319 lb	854x734x1766 mm	33.62"x28.90"x69.53"
Speed Pro Tank Podium	119.1 Kg	262 lb	675x700x1765 mm	26.57"x27.56"x69.49"
Speed Pro +Plus Tank Podium	121.2 Kg	266.7 lb	675x700x1765 mm	26.57"x27.56"x69.49"
Speed Pro Cooler Podium	128.3 Kg	282.2 lb	675x727x1850 mm	26.57"x28.62"x72.83"

ALTRE CARATTERISTICHE (Tutti i modelli)

Tensione	120 V 60 Hz	220-240 V 50-60Hz
Potenza	300 W (560 W Cooler)	300 W (560 W Cooler)
Consumo	2.7 A (4.87 A Cooler)	1.2 A (2.4 A Cooler)
Arance al minuto	40	37/40
Frutti*	Arance, mandarini, lime, pompelmi, melograni.	
Calibro frutta	65-81 mm (45-67 mm con Kit S)	
Capacità alimentatore	20 kg / 44 lb	
Protezione	IPX4	
Livello di pressione acustica	Minore 70 dB(A)	

* Per altri tipi di frutta verificare sempre con il rivenditore più vicino.

Istruzioni per l'uso

Preparazione

Per iniziare la spremitura è necessario seguire i seguenti passi:

- 1 Togliere la macchina spremiagrumi dall'imballaggio e posizionarla su una superficie il più orizzontale possibile.
 - 2 Verificare che la tensione della rete di alimentazione coincida con quella indicata sull'etichetta identificativa della macchina, che si potrà trovare sulla macchina stessa.
 - 3 Assicurarsi che non vi siano ostacoli che rendano difficile la procedura di disimballaggio.
- ! Prima del primo utilizzo, si consiglia di pulire il sistema di spremitura. Vedere la sezione "Pulizia".

Disimballaggio e messa in servizio

Seguire le istruzioni in base al modello di macchina acquistato. I seguenti componenti possono trovarsi sciolti e devono essere montati qualora non lo siano:

Speed Pro Basic

Uscita laterale carter destro (2), Uscita laterale carter sinistro (3), Cavo di alimentazione (15), Guaina cavo (16), Vaschetta succo plastica (30), Filtro interno plastica (31), Filtro succo plastica (32), Vaschetta bucce (33), Vaschetta raccogliocce (34).

Vedere Figura 1 e 2.

Speed Pro Self Service

Uscita laterale carter destro (2), Uscita laterale carter sinistro (3), Cavo di alimentazione (15), Guaina cavo (16), Vaschetta bucce (33), Vaschetta raccogliocce (34), Vaschetta succo SS (40), Sottofiltro SS (41), Filtro SS/Tank (42), Rimuovi-polpa (43), Rubinetto SS (44), Supplemento macchina (47), Filtro W (48).

Vedere Figura 1 e 3.



Speed Pro +Plus Self Service

Uscita laterale carter destro (2), Uscita laterale carter sinistro Pro +Plus (3+), Cavo di alimentazione (15), Guaina cavo (16), Vaschetta bucce (33), Vaschetta raccogliogocce (34), Vaschetta succo SS (40), Sottofiltro SS (41), Sistema PulpOut Automatico (42+), Rubinetto SS Pro +Plus (44+), Supplemento macchina (47).

Vedere Figura 1+ e 3+.

Speed Pro Self Service Podium

Uscita laterale carter destro (2), Uscita laterale carter sinistro (3), Cavo alimentazione (15), Guaina cavo (16), Serbatoio succo SS (40), Sottofiltro SS (41), Filtro SS/Tank (42), Rimuovi-polpa (43), Rubinetto SS (44), Filtro W (48).

Vedere Figura 1 e 4. Vedere sezione Podium Self Service/Tank (90) per informazioni sul mobile della macchina.

Speed Pro +Plus Self Service Podium

Uscita laterale carter destro (2), Uscita laterale carter sinistro Pro +Plus (3+), Cavo di alimentazione (15), Guaina cavo (16), Vaschetta succo SS (40), Sottofiltro SS (41), Sistema PulpOut Automatico (42+), Rubinetto SS Pro +Plus (44+).

Vedere Figura 1+ e 4+. Ver apartado Podium Pro +Plus Self Service (90+) per informazioni sul mobile della macchina.

Speed Pro Tank Podium

Uscita laterale carter destro (2), Uscita laterale carter sinistro (3), Cavo alimentazione (15), Guaina cavo (16), Filtro SS/Tank (42), Rimuovi-polpa (43), Filtro W (48), Serbatoio succo Tank (50), Sottofiltro Tank (51), Galleggiante Tank/Cooler (52), Tank (53), Agitatore (54), Rubinetto Tank (55).

Vedere Figura 1 e 5. Ver apartado Podium Self Service/Tank (90) per informazioni sul mobile della macchina.

Speed Pro +Plus Tank Podium

Uscita laterale carter destro (2), Uscita laterale carter sinistro Pro +Plus (3+), Cavo di alimentazione (15), Guaina cavo (16), Sistema PulpOut Automatico (42+), Serbatoio succo Tank (50), Sottofiltro Tank (51), Galleggiante Tank/Cooler (52), Tank (53), Agitatore (54), Rubinetto Tank (55).

Vedere Figura 1+ e 5+. Ver apartado Podium Pro +Plus Self Service/Tank (90+) per informazioni sul mobile della macchina.

Speed Pro Cooler Podium

Uscita laterale carter destro (2), Uscita laterale carter sinistro (3), Cavo di alimentazione (15), Guaina cavo (16), Vaschetta succo plastica (30), Filtro interno plastica (31), Filtro succo plastica (32), Sistema Refrigerante (70), Galleggiante Tank/Cooler (52).

Vedere Figura 1 e 6. Ver apartado Podium Cooler (100) per informazioni sul mobile della macchina.

Drain&Clean System (80)

Se hai acquistato un modello Podium, la tua macchina sarà dotata del Sistema Drain&Clean. Il sistema funziona come scarico dall'alimentatore al deposito scarti situato all'interno della macchina, in modo da facilitare la pulizia e l'eliminazione degli scarti.

Vedere Figura 7.1 e 7.2.

Podium Self Service/Podium Tank Podium (90), Podium Self Service Pro +Plus (90+), Podium Cooler (100)

All'interno del mobile si trovano tutti i componenti che formano il mobile stesso.



Montaggio e smontaggio dei componenti in base al modello

1. Montaggio

Carter (1)

Allineare i 3 fori del carter con i 3 pomellini degli assi. Ruotare questi ultimi di 90° in senso orario (Fig. 10).

Uscita laterale carter destro (2), Uscita laterale carter sinistro (3)

Verificare che le uscite laterali siano completamente montate e posizionate correttamente (Fig. 10).

Le Uscite Laterali non sono uguali. Assicurarsi di posizionarle nel lato giusto.

Allinea la parte inferiore dell'uscita laterale e solleva la parte superiore, assicurando l'incastro con un giro di 90° del pomello.

Tamburo maschio plastica (4), Tamburo femmina plastica (5)

Disporre i tamburi sugli assi (Fig. 1)

Se hai acquistato un modello Speed Pro +Plus, ti preghiamo di leggere il paragrafo *Kit di Estrazione (19+)*. Disporre sempre un tamburo maschio e un tamburo femmina dello stesso lato, allo stesso tempo, per agevolare l'incastro.

Vite di sicurezza plastica iniezione (6)

Avvitare le vite di sicurezza per fissare i tamburi e il piatto alimentatore (Fig. 1).

Se hai acquistato un modello Speed Pro +Plus, ti preghiamo di leggere il paragrafo *Kit di Estrazione (19+)*.

Estrattore di bucce sinistro (7), Estrattore di bucce destro (8)

Posizionare gli estrattori nell'apposito lato sulle guide (Fig. 1).

Se hai acquistato un modello Speed Pro +Plus, ti preghiamo di leggere il paragrafo *Kit di Estrazione (19+)*.

Portalama (9)

Disporre con attenzione la lama sulla guida e premere verso l'interno (Fig. 1).

Portalama Pro +Plus (9+)

Disponi con attenzione la lama sulla guida e premi verso l'interno (Fig. 1+).

Nota: inseriscilo sempre prima di mettere il kit di estrazione

Cesta alimentatore (13)

La cesta alimentatore può essere rimosso e ri-attaccato rivolto guide e facendo un leggero movimento fino all'arresto (Fig. 1).

Portacesta alimentatore (14)

La cesta alimentatore dispone di sportello facile da aprire per poter riempire facilmente la cesta di arance (Fig. 1).

Cavo di alimentazione (15)

Una volta ricevuta la macchina, collegare il cavo alla base della macchina (Fig. 1).

Guaina cavo con 3 viti (16)

Montarlo per impedire l'estrazione accidentale del cavo (Fig. 1).

Guarnizione serbatoio Self Service/Tank 6.3 x 3.5 (17)

In caso di necessità questa guarnizione può essere rimossa facilmente per provvedere alla sua pulizia e inserita di nuovo manualmente (Fig. 1).

Bullone vaschetta (18)

Questo componente necessita di intervento solo in caso di richiedere una Vaschetta succo SS (40) o Vaschetta succo Tank (50) di ricambio (Fig. 1). Una volta inserita la vaschetta di ricambio, regolare il bullone dalla parte posteriore per regolare la posizione della vaschetta.



Kit di estrazione (19+)

Questo set consente la rimozione e l'inserimento di tamburi e estrattori di bucce in un solo passaggio (**Fig. 1+**).

Prima di posizionarlo ricordati di inserire il Portalama Pro +Plus (9+).

Per posizionarlo, allinea i tamburi con gli assi e regola la posizione appena li avrai inseriti completamente. Usa la ruota centrale per avvitare il gruppo alla macchina.

Nota: Per la rimozione procedere in ordine inverso.

Smontaggio del sistema

- Svita la vite di sicurezza plastica (6) che si trova tra i tamburi e che regge due staffe metalliche (19.1+ e 19.2+).
- Allunga delicatamente il supporto anteriore (19.2+).
- Rimuovi gli estrattori (7 e 8) e separa i Tamburi maschi (4) e i Tamburi femmina (5).

Vedere Figura 19+.

Assemblaggio del sistema

- Posiziona il supporto posteriore (19.1+) su una superficie. I supporti degli estrattori devono essere rivolti verso il basso.
- Fai corrispondere i tamburi maschio e femmina. Monta le basi circolari dei tamburi nei fori del supporto. Tieni conto che i lati dei tamburi sono differenti. Assicurati di montarli esattamente come nella figura.
- Inserisci gli estrattori sui supporti metallici del kit lasciando l'estrattore posizionato sul bordo del tamburo maschio.
- Monta i pomelli rotanti (19.3+) del supporto anteriore (19.2+) nei fori dei tamburi.
- Unisci entrambi i supporti con la vite di sicurezza plastica (6).

Nota: Per la pulizia del gruppo di spremuta vedi la sezione "Pulizia".

Vaschetta succo plastica (30)

Assicurarsi che la guarnizione di tenuta sia correttamente montata sulla vaschetta (**Fig. 11**). Dopodiché posizionare la vaschetta sulla macchina. Allineare e installare verso il basso la vaschetta sulle quattro sporgenze della macchina (**Fig. 2**).

Filtro interno plastica (31)

Disporlo all'interno della vaschetta di spremitura (**Fig. 2**).

Filtro succo plastica (32)

Disporlo all'interno della vaschetta di spremitura (**Fig. 2**).

Vaschetta bucce (33)

Disporre le vaschette delle bucce sotto le uscite laterali del carter (**Fig. 2 o 3 in base al modello**).

Vaschetta raccogliegocce (34)

Disporla sotto l'uscita del succo (**Fig. 2 o 3 in base al modello**).

Vaschetta succo Self Service (40)

Allineare la vaschetta al foro centrale. Al tempo stesso, allineare le due sporgenze laterali situate alle estremità della vaschetta e premere. Per agevolare il montaggio, aiutarsi premendo i pulsanti laterali (**Fig. 12**).

Sottofiltro Self Service (41)

Disporlo all'interno della vaschetta di spremitura (**Fig. 3**).

Filtro Self Service /Tank (42)

Allineare i 2 fori posteriori alle 2 sporgenze interne posteriori della vaschetta. Lasciare cadere in avanti il filtro e allineare i fori anteriori con le sporgenze anteriori.

Il filtro poggia sulla vaschetta Vaschetta succo SS (40) (**Fig. 3**) o sulla Vaschetta Succo Tank (50) (**Fig. 5**).

Sistema PulpOut Automatico (42+)

Questo sistema permette di eliminare la polpa e i semi automaticamente durante il processo di spremitura.



Montaggio

- a) Inserisci i rulli (42.1+) sul trasportatore (42.2+).
 - b) Posiziona il primo rullo sul lato sinistro sui tappi metallici del telaio. Poi allunga il nastro e posiziona l'altro rullo sui tappi sulla destra (**Fig. 20.1+**).
 - c) Inserisci il coperchio del nastro (42.4+) guidando prima i perni sul lato destro nelle fessure del telaio (42.3+) (**Fig. 20.1+**). Dopodiché gira il coperchio finché non riposi completamente sul telaio in posizione orizzontale e premi fino all'incastro.
 - d) Premi ai lati del coperchio laterale (42.5+) e incastrali nei fori sul lato sinistro del telaio (**Fig. 20.1+**). Assicurati che i perni siano completamente inseriti, e che il coperchio ruoti liberamente. Lascialo in posizione verticale.
 - e) Monta il Sistema PulpOut (42+) nella macchina (**Fig. 20.2+**). Per fare questo monta il rullo sinistro nel asse motore che si trova sul lato sinistro della macchina. Assicurati che il sistema riposi e sia inserito nei perni della vaschetta.
 - f) Ruota il coperchio para-schizzi (42.6+) alla sua posizione verticale. È possibile smontare il Sistema PulpOut senza dover togliere il coperchio.
- Nota:** Questo pezzo deve essere orizzontale per montare il coperchio.

Per lo smontaggio operare in senso inverso alla procedura precedentemente indicata. Vedere la sezione **Pulizia** per la corretta manutenzione del Sistema PulpOut.

Puoi vedere la sua collocazione sulle rispettive macchine:

Speed Pro +Plus Self Service (Fig. 3+).

Speed Pro +Plus Self Service Podium (Fig. 4+).

Speed Pro +Plus Tank Podium (Fig. 5+).

Rimuovi-polpa (43)

Assicurarsi che la guida interna del rimuovi-polpa sia correttamente montata (**Fig. 13**).

Si può estrarre o inserire il rimuovi-polpa ruotando la levetta laterale di 90° (**Fig. 13**).

Nota: Assicurarsi che la levetta sia nella posizione di chiusura, in modo che l'eliminatore di pompa non cada mai accidentalmente sul filtro.

Rubinetti Self Service (44), Rubinetti Self Service Pro +Plus (44+)

Per montare il rubinetto Self Service nella vaschetta, allinea il posizionatore posteriore e incastralo nel foro della vite della vaschetta. Una volta inserito avvita il bullone flottante situato nella parte posteriore del rubinetto (**Fig. 3 e 3+**).

Nota: Ricorda di avvitare il bullone flottante fino a che non si veda più il filo della vite della vaschetta. Se non è situato correttamente il sensore del rubinetto non si attiverà.

Funzionamento del rubinetto

Puoi far funzionare il rubinetto normalmente premendo e rilasciando per far uscire il succo (**Fig. 14 e 14+ (1)**). Nel Rubinetti SS (44) il pulsante si trova nella parte inferiore, nel Rubinetti SS Pro +Plus (44+) il pulsante si trova nella parte superiore.

Puoi bloccare il pulsante nella posizione di "flusso continuo". Per fare ciò gira l'anello con le linee continue/discontinue fino a che la linea continua sia sopra l'icona del bicchiere. Rilascia il pulsante. Questo rimarrà bloccato (**Fig. 14 e 14+ (2)**).

Per sbloccarlo, premi nuovamente il pulsante (**Fig. 14 e 14+ (3)**).

Per eseguire la pulizia quotidiana puoi smontare la parte superiore del rubinetto e del tubetto di ingresso (**Fig. 14 e 14+ (4)**).

La macchina Speed Pro +Plus Self Service Podium ha un portabottiglie (**Fig. 14 (5)**) che può essere smontato svitando le due viti posteriori, se necessario.

Guarnizione tubo sensore (46)

In caso di necessità questa guarnizione può essere rimossa per essere pulita (Fig. 3 o 4).

Supplemento macchina (47)

Utilizzare questo supplemento per sollevare la macchina (**Fig. 3 o 3+**).

! Importante! La macchina non deve essere disposta sul supplemento da una sola persona.

Filtro W (48)

Filtro opzionale al filtro di succo con rimuovi-polpa manuale.



Vaschetta succo Tank (50)

Allineare le due sporgenze alle estremità della vaschetta e premere. Per agevolare il montaggio ci si può aiutare premendo i pulsanti laterali (Fig. 15).

Per smontare la vaschetta in modo semplice, premere i pulsanti laterali e tirare verso di sé.

Sottofiltro Tank (51)

Disponilo all'interno della vaschetta di spremitura (Fig. 5).

Galleggiante Tank/Cooler (52)

Modello Tank

- Se il supporto con galleggiante è allentato, allenta i pomoli del supporto (Fig. 16 (1)).
- Allinea le sporgenze del supporto con la parte inferiore del coperchio (Fig. 16 (2)).
- Serra i pomelli (Fig. 16 (2 e 3)).
- Se devi fare una pulizia accurata, rimuovi i pezzi come indicato, in ordine inverso alla procedura descritta sopra, e rimuovi l'asse (Fig. 16 (4)).

Modello Cooler o Tank

Allentare le sporgenze superiori. Allineare la piastra ai fori dalla parte inferiore. Serrare nuovamente le sporgenze superiori (Fig. 18).

Tank (53)

Una volta chiuso far scivolare sulle guide del mobile (Fig. 5).

Rubinetto tank (55)

Utilizzare la vite per fissare il rubinetto Self Service alla vaschetta Tank. Assicurarsi di orientarla in modo verticale (Fig. 17.1).

Il rubinetto Tank può funzionare in modo continuo o discontinuo, semplicemente girando la maniglia di 180° e rimarrà bloccato quando si abbassa la leva, permettendo il flusso continuo.

Per provvedere alla pulizia, si può smontare la parte superiore del rubinetto Self Service (Fig. 17.2).

Sensore di livello (56)

Questo componente necessita di intervento solo se si richiede un ricambio. Ricordare di posizionare il sensore nella stessa posizione del sensore originale. Se si dispone di una macchina Tank, il sensore resta nella parte superiore, se si dispone di una macchina Cooler il sensore rimane nella parte inferiore (Fig. 5, 5+ o 6).

Sistema refrigerante (70)

Disporre il sistema refrigerante sull'apposito vano del mobile (Fig. 6).

Montare i componenti così come indicato nella Fig. 18 in questo ordine:

- Montare il pistone-guarnizione e la leva sul serbatoio seguendo i movimenti numerati secondo il disegno allegato.
- Mettere il serbatoio.
- Regolare il coperchio pompa all'interno del serbatoio con la freccia rivolta verso di sé.
- Fissare la piastra di attacco metallica assicurando con questa il serbatoio.

Podium Self Service/Tank (90), Podium Self Service Pro +Plus (90+), Podium Cooler (100)

Disposizione della macchina sul mobile display:

! **Importante!** Questa operazione deve essere realizzata da 2 o 3 persone. Non deve mai essere realizzata da una sola persona.

Bloccare con il pedale del freno le ruote anteriori del mobile per evitare che si muova durante l'installazione.

Una volta tolto il mobile dal suo imballaggio, rimuovere le viti dalle squadre di fissaggio e metterle da una parte per utilizzarle successivamente. Vedere dettaglio "A" della Fig. 8.

All'interno del mobile si trovano le cadute bucce e la vaschetta raccogliocce del mobile con il suo filtro.

Disporre la macchina sul mobile, facendo coincidere gli angoli interni della base della macchina con i tasselli di gomma del mobile, in questo modo coincideranno i fori delle squadre di fissaggio con quelli della macchina. Adesso si potrà fissare la macchina con le viti messe precedentemente da parte (Vedere Fig. 5 o 6).

Ricordare:

La macchina e il mobile display sono uniti dalle viti fornite, così come indicato in questo manuale di istruzioni.este manual de instrucciones.



Particolarità per Podium Self Service/Tank (90)

Per i mobili Self Service e Tank fissare la vaschetta raccogli gocce con il suo filtro al mobile display.

Il componente 90.7 varia in base al modello del mobile acquisito:

Mobile Self Service: Componente Filtro mobile SS (90.7A).

Mobile Tank: Componente Guide vaschetta Tank (90.7B).

La posizione dei componenti Frontalino vaschetta (90.8) e Filtro serbatoio (90.9), può essere regolata per poter adattarsi ai vari formati di bottiglie e bicchieri.

Particolarità per Podium Self Service Pro +Plus (90+)

Il Podium SS Pro +Plus (90+) contiene due depositi di residui indipendenti.

Ricorda sempre di sistemare i due depositi.

Particolarità per Podium Cooler (100)

Vedere Fig. 6 e 9.1 per la corretta disposizione dei componenti.

Passare il cavo di tensione del Sistema Refrigerante, dal foro dello sportello posteriore. Per fare ciò, svitare lo sportello, se necessario (**Fig. 9.2**).

Montaggio Drain&Clean System:

! **Importante!** Scollegare la macchina dalla prese di corrente.

Podium Self Service/Tank (90)

Se fossero installati, rimuovere la Caduta bucce (90.6), il Filtro mobile SS (90.7A) e la Tramoggia mobile (90.3) (**Fig. 8**). Aprire lo sportello anteriore. Se installati, rimuovi le Viti di sicurezza plastica iniezione (6), e il Coperchio Mobile SS / Tank (80.5).

Cercare il foro superiore (**Fig. 7.2**) e inserire la mano prendendo il Tubo flessibile (80.4) e inserendolo nel foro (**Fig. 7.1**). Non tirare o fissare nessun'altra parte della macchina.

Dopodiché mettere il coperchio inferiore del tubo con le due vite di sicurezza fornite, e rimettere tutti i pezzi precedentemente smontati (**Fig. 7.2**).

Vedere il disegno esploso per disporre i componenti (**Fig. 8**).

Podium Self Service Pro +Plus (90+)

Apri gli sportelli anteriori e rimuovi i depositi degli scarti (**Fig. 8+**). Se installati, rimuovi le Viti di sicurezza plastica iniezione (6), e il Coperchio Mobile SS / Tank (80.5).

Cercare il foro superiore (**Fig. 7.2**) e inserire la mano prendendo il Tubo flessibile (80.4) e inserendolo nel foro (**Fig. 7.1**). Non tirare o fissare nessun'altra parte della macchina.

Dopodiché mettere il coperchio inferiore del tubo con le due vite di sicurezza fornite, e rimettere tutti i pezzi precedentemente smontati (**Fig. 7.2**).

Vedere il disegno esploso per disporre i componenti (**Fig. 8+**).

2. Smontaggio

Lo smontaggio dei componenti si realizza nell'ordine inverso rispetto a quello indicato in ciascuna sezione.



Funzionamento Generale

Una volta installata la macchina correttamente e prima di collegarla alla presa di corrente, verificare i dati elettrici con quelli della fornitura elettrica. Se tutto è corretto, collegare la macchina alla tensione di rete.

Per accendere la macchina, premere il pulsante verde **ON**, e si accenderà il LED del pulsante **ON/OFF** e il display digitale della macchina.

Prima di far funzionare la macchina con arance, è necessario effettuare una taratura della macchina a vuoto. Per far ciò si deve entrare nella sezione di taratura all'interno del MENÙ CLIENTE, oppure lasciare la macchina in funzione a vuoto per 1 minuto circa fino a quando si arresta.

Per un corretto conteggio, può essere necessario regolare il parametro Offset, dopo la taratura della macchina.

Caso 1: Non conta tutte le arance. Ridurre il valore di Offset.

Caso 2: Conta troppe arance. Aumentare il valore di Offset.

Per fare ciò, entrare in **MENÙ>5.Taratura>2.Offset** e regolare il valore. Uscire dal Menù e verificare prima il conteggio a vuoto, e dopo con 2 o 3 arance. Ripetere la procedura fino a trovare il valore che permette il corretto conteggio della macchina.

Per evitare eventuali errori di conteggio, evitare di lasciare la macchina ferma con un'arancia incastrata nel tamburo maschio e nel tamburo femmina.

In tutti i modelli si mostra il contatore di arance. (Errore +/-1%)

Ricordare di utilizzare una Caraffa o un Bicchiere all'uscita del succo della macchina.

Qualora manchi un qualche elemento di sicurezza, la macchina non funzionerà fino a quando questo non sarà ripristinato.

In caso di necessità, si può spegnere la macchina nel seguente modo:

- A** Rilasciando l'azionatore usato. Per esempio il rubinetto.
- B** Premendo il tasto **STOP**.
- C** Premendo il pulsante rosso **OFF**.
- D** **Solo in caso di emergenza:** Scollegando la macchina direttamente dalla presa di corrente.
- E** Se la macchina non rileva arance, questa si fermerà dopo 60" circa dal passaggio dell'ultima arancia.

Caricamento dell'alimentatore

Per caricare l'alimentatore della macchina con arance, aprire lo Sportello cesta alimentatore (14) e riempire parzialmente con arance. Chiudere lo sportello e finire di riempire la cesta.

Sistema di spremitura

Assicurarsi che la macchina abbia montato tutti gli elementi che permettono il taglio dell'arancia, la spremitura del succo e la raccolta di quest'ultimo. A tale scopo, consultare il modello di macchina acquistato con la Fig. indicata nel paragrafo: *Disimballaggio e messa in servizio. Montaggio e smontaggio dei componenti in base al modello.*

Controllare lo stato delle vaschette e del filtro per garantire un succo di qualità.

Se hai acquistato una macchina con Kit di Estrazione (19+) potrai introdurre ed estrarre il sistema di spremitura insieme in un solo passaggio.

Raccolta del succo

Se disponi di una macchina con:

- Sistema PulpOut (42+), la polpa e gli scarti dei semi verranno eliminati dal lato sinistro della macchina.
- Rimuovi-polpa (43), utilizzare questo da lato a lato per gettare i resti di polpa, semi, ecc, nei depositi degli scarti.
- Rubinetto SS (44) o Rubinetto Tank (55), leggere le istruzioni per l'uso del rubinetto Self Service al paragrafo *Montaggio e smontaggio dei componenti in base al modello.*
- Riempimento automatico, la macchina si arresterà automaticamente quando arriva al livello massimo. Ricordare di posizionare correttamente il Galleggiante Tank/Cooler (52), seguendo le istruzioni di montaggio. È possibile selezionare anche la quantità di riempimento.

Area scarti

Assicurarsi che gli elementi incaricati della raccolta delle bucce siano correttamente posizionati.

Controllare il livello di riempimento dei depositi per evitare che fuoriescono le bucce.

È possibile, inoltre, utilizzare la nuova funzione **Limite residui**, che permette di programmare un allarme che arresta la macchina quando la vaschetta delle bucce è piena.

È possibile impostare il numero di arance spremute dopo le quali si desidera che scatti l'allarme.



Una volta spremuto il numero di arance programmato, la macchina si arresterà e il display avviserà l'utente di svuotare la vaschetta delle bucce.

Se hai acquistato una macchina con Podium, le bucce cadranno direttamente nel Carrello scarti (90.4) o Deposito bucce (100.3).

Per spegnere l'allarme, premere il pulsante **OK** per 2", circa fino a quando si arresta

Ricordare!

"Ok breve", non disattivare l'allarme.

"Ok lungo", doppio "beep", per spegnere l'allarme.

Per disattivare l'allarme in modo permanente, deve entrare nella sezione di Limite residui all'interno del **MENÙ CLIENTE**.

In caso di spegnimento o scollegamento della macchina, l'allarme bucce sarà eliminato e rinizierà da zero.

Azionamento della macchina



Generale

In tutti i modelli potrai fare funzionare la macchina in modo **Professionale** o in modo **Automatico**. Per passare da una modalità all'altra, tenere il tasto **Mode** premuto per qualche istante. Tutte le volte che si passa da modalità Automatica a Professionale chiederà di programmare il numero di arance da spremere. Qualora non si voglia modificare la quantità, attendere solo alcuni secondi o premere velocemente il tasto **OK**. In caso di voler modificare la quantità, premere i tasti + - per selezionare la quantità, e dopodiché premere il tasto **OK** fino a quando appare il simbolo di **Registrazione**.

Modello Speed Pro Basic




MODALITÀ AUTOMATICA

Dalla modalità automatica:

-  **START** Si avvia la macchina
-  **STOP** Si arresta la macchina

Funzionamento ininterrotto.

MODALITÀ PROFESSIONALE

- Numero minimo di arance  1
- Numero massimo di arance  12
- Valore di default  3

Funzionamento fino a raggiungere la quantità impostata.

Speed Pro Self Service, Speed Pro +Plus Self Service Speed Pro Self Service Podium, Speed Pro +Plus Self Service Podium

Il tasto **START** non è attivo. Solo lo è nella modalità **MANUALE**.




MODALITÀ AUTOMATICO

Controllo dal Rubinetto SS (44)/
Rubinetto SS Pro +Plus (44+).

Funzionamento ininterrotto,
mentre il rubinetto è premuto.

MODALITÀ PROFESSIONALE

Controllo dal rubinetto mentre è premuto.

- Numero minimo di arance  1
- Numero massimo di arance  12
- Valore di default  3

MODALITÀ MANUALE

(Nel caso in cui il rubinetto non funzioni)




In Modalità Manuale il tasto **START** è attivo.

Nella modalità manuale continua a funzionare in modalità Automatica e Professionale dalla tastiera.

MANUALE "AUTOMATICO"

Funzionamento ininterrotto.

MANUALE "PROFESSIONALE"

- Numero minimo di arance  1
- Numero massimo di arance  12
- Valore di default  3

Il tasto **STOP** è sempre in funzione.



Rubinetto Self Service (44), Rubinetto Self Service Pro +Plus (44+).

Hai acquistato un rubinetto multifunzione. Ti permette di erogare succo in modo discontinuo o in modo continuo senza necessità di tenere premuto il pulsante.

Vedere le varie possibilità nel paragrafo: Montaggio e smontaggio dei componenti in base al modello, Rubinetto SS (44), Rubinetto SS Pro +Plus (44+).

Speed Pro Tank Podium (90), Speed Pro +Plus Tank Podium (90+), Speed Pro Cooler Podium (100)

Assicurarsi sempre che il Tank (53) o Serbatoio (70.6) sia posizionato il più vicino possibile al sensore che si trova nella base. Assicurarsi che il galleggiante sia posizionato sul coperchio in modo corretto e si muova liberamente (Fig. 5 e 6).

Se il Galleggiante Tank/Cooler (52) non è installato, la macchina non funzionerà (Fig. 16).

MODALITÀ AUTOMATICA	1
Quando si collega la macchina all'inizio della giornata, premere il pulsante START per avviare la macchina.	
La macchina inizia a spremere fino a quando il serbatoio si riempie e il Sensore di livello (56) non trova il Galleggiante Tank/Cooler (52). In questo momento la macchina si arresta.	2
Quando il livello di succo si abbassa di nuovo, la macchina si rimetterà in funzione dopo 15" dal momento in cui non rileva più il galleggiante, e così successivamente in modo automatico.	3
Se non si è premuto STOP , appare il disegno del serbatoio pieno e semipieno, indicando che anche se la macchina è in modalità automatica, è ferma in attesa che si svuoti il serbatoio, per iniziare nuovamente il processo di riempimento. Premendo STOP sparisce il disegno, e la macchina smette di funzionare.	4

MODALITÀ PROFESSIONALE	
La macchina si avvierà premendo START e si fermerà quando il Sensore di livello (56) non rileva il Galleggiante Tank/Cooler (52) o raggiunga la quantità impostata. Quando il livello si abbassa di nuovo, la macchina non si riavvierà se non si preme START .	1
Sono disponibili 3 volumi diversi di riempimento, in base alle necessità di succo.	2

MODALITÀ MANUALE (Qualora il sensore non funzioni)	
Nel caso in cui il Sensore di livello (56) non funzioni, si deve entrare nel menù e attivare la MODALITÀ MANUALE . In questo modo sarà possibile disporre di tutta le funzioni della macchina senza il sensore, fino a quando non sia stato riparato.	
MANUALE "AUTOMATICO"	1
Funzionamento ininterrotto.	
MANUALE "PROFESSIONALE"	2
Programmare la quantità di arance da spremere. La macchina si arresterà quando arriva al valore selezionato o quando si preme il tasto STOP .	
Ricordare! In modalità manuale si deve controllare il livello di succo per evitare che trabocchi, visto che la funzione di livello è annullata.	

Speed Pro Cooler: Unidad refrigerante

Accendere il sistema refrigerante azionando l'interruttore che si trova alla sinistra dell'uscita di succo del serbatoio. È possibile regolare la temperatura del succo tramite il regolatore situato a destra, girandolo in senso orario per abbassare la temperatura e **in senso antiorario per aumentarla**.

Azionare la leva del serbatoio per riempire un bicchiere o una caraffa.

! Importante! Ricorda di spegnere il (70) Sistema refrigerante quando spigni la macchina principale, per evitare consumi inutili.

Configurazione

La macchina spremiagrumi Zumex **Speed Pro** permette di regolare i parametri secondo le proprie preferenze.

Si può scegliere e programmare la modalità di funzionamento della macchina utilizzando il dispositivo elettronico. Con questo, sarà possibile controllare attributi e funzioni seguendo i **MENÙ** allegati.

Per entrare nel **MENÙ** è necessario premere i tasti **STOP** e **MODE** per almeno 2" e inserire il PIN di default (0000).

Una volta all'interno si può configurare:

LINGUA: Puoi selezionare una delle 23 lingue disponibili.

PIN: Vedere o cambiare il PIN attuale in modo che nessuno possa modificare i parametri della macchina.

CONTATORE: Vedere il contatore totale o parziale della macchina. Azzerare il contatore parziale visibile sulla schermata principale. Per azzerare il contatore della macchina, premere i tasti **STOP+START** per 3" fino a quando il contatore è a 0000000.

CREDITO e la macchina si bloccherà quando raggiunga il credito prefissato fino a quando si programmi di nuovo la quantità.

BLOCCO DI MODALITÀ: si può fare in modo che la macchina funzioni unicamente in modalità Automatica, Professionale e anche che non sia possibile cambiare il numero di arance o il volume da spremere affinché si sprema solamente la quantità stabilita.

MODALITÀ MANUALE (Modalità di aiuto): Nei modelli di macchina dotati di un azionatore o un sensore di funzionamento ausiliare, è possibile annullare selezionando la modalità **MANUALE** [Modello Self Service: Rubinetto SS (44). Modello Tank e Cooler: Sensore di livello (56)].

SISTEMA PULPOUT: Puoi attivare il Sistema PulpOut per l'eliminazione automatica della polpa e dei semi. Puoi scegliere tra la modalità d'uso continua o discontinua.

La **modalità continua** elimina la polpa durante tutto il tempo della spremitura. Allunga l'autonomia del sistema, e di conseguenza, il tempo d'uso prima di doverla pulire.

La **modalità discontinua** permette un tempo di filtrazione della polpa più esteso.

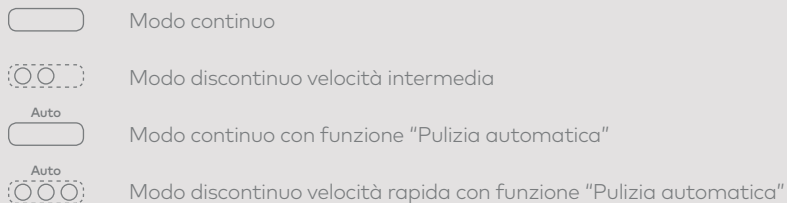
Si può scegliere la frequenza con cui il sistema si attiva, a seconda del tipo di agrumi utilizzati e la quantità di polpa. Una frequenza rapida attiverà il sistema in intervalli temporali minori.

In questo modo, il nastro si attiverà a seconda del programma scelto, dopo i seguenti cicli di spremitura:



È inoltre possibile attivare la funzione "Pulizia automatica", che consente al nastro di pulirsi automaticamente dopo l'ultima spremitura. In modalità discontinua, la funzione "Pulizia automatica" si attiva 30 secondi dopo l'ultima spremitura.

Nel Display Digitale, questi sono alcuni esempi di visualizzazione:



In qualsiasi situazione stia funzionando il sistema PulpOut, premendo il tasto **STOP** questo si arresterà. Nel funzionamento continuo con "Pulizia Automatica" è necessario premere due volte il tasto **STOP**, per poter arrestare la macchina, e un'altra volta per fermare la fase di pulizia automatica.

LIMITE RESIDUI: È possibile attivare un allarme che arresta la macchina una volta spremuto il numero di arance desiderato, in modo da poter sapere quando è necessario svuotare la vaschetta delle bucce.

TARATURA: Si può effettuare una taratura per il corretto conteggio della macchina in qualsiasi momento.

STATO DELLA MACCHINA: Si può accedere alle varie anomalie che possono causare un arresto della macchina.

CONTRASTO: Si può regolare l'intensità della brillantezza del display.

Ricordare! All'interno della modalità MENÙ CLIENTE:

"Ok breve" per abbassare il livello.

"Ok lungo" per alzare il livello.

"Ok lungo" per registrare un dato (Apparirà il simbolo di registrazione)

Per uscire dal MENÙ CLIENTE, si deve salire tutti i livelli scesi.

Diagramma di menù Menù principale



1	LINGUA. Scegliere la lingua di funzionamento della macchina.	PULPOUT. Seleziona la modalità di funzionamento del Sistema PulpOut Automatico.	6
2	PIN. Vedere o cambiare il PIN.	TARATURA. Per realizzare una taratura della macchina per un corretto conteggio.	7
3	CONTATORE. Vedere il contatore totale o parziale della macchina.	STATO. Accedere alle varie anomalie che abbiano potuto causare un arresto nella macchina.	8
4	MODALITÀ. Selezionare la modalità di lavoro: automatico o professionale.	CONTRASTO. Per regolare l'intensità della brillantezza del display.	9
5	LIMITE RESIDUI. Attivare un avviso per sapere quando svuotare la vaschetta delle bucce.		

Pulizia

Zumex raccomanda di pulire la macchina minimo 1 o 2 volte al giorno, a seconda dell'uso, per mantenere condizioni igienico-alimentari ottimali.

Per una pulitura corretta si dovranno rispettare i passi seguenti:

- A** Tutti i pezzi in plastica si possono lavare in lavastoviglie, tranne che il Serbatoio succo Speed Pro Cooler.
- B** Per evitare l'ossidazione prematura dell'acciaio inossidabile non si consiglia di lavare in lavastoviglie il Rubinetto Self Service (44), Rubinetto Self Service Pro +Plus (44+).

Per tutti i modelli

- 1** Scollega la macchina dalla presa elettrica.
- 2** Per montare e smontare leggi il paragrafo di ogni componente indicato dentro al capitolo *Montaggio e smontaggio dei componenti in base al modello*.
- 3** Smonta le Uscite laterali.
- 4** Smonta il Carter.
- 5** Monta e smonta i componenti in base al modello.

Speed Pro Basic, Speed Pro Self Service, Speed Pro Self Service Podium, Speed Pro Tank Podium, Speed Cooler Podium

- 6** Smonta il Portalama tirandolo verso di te dal manico.
- !** **Attenzione! Maneggia questo pezzo con molta cura perché ti ci potresti tagliare.**
- 7** Rimuovi gli estrattori di bucce (**Fig. 1**) dai supporti.
- 8** Smonta i tamburi di spremitura a coppia, svitando le viti di sicurezza che li sorreggono (**Fig. 1**).
- 9** Smonta le vaschette e i filtri di succo, secondo il modello. Vedi l'apposita figura, secondo la sezione Disimballaggio e messa in servizio.

Speed Pro +Plus Self Service, Speed Pro +Plus Self Service Podium, Zumex Speed Pro +Plus Tank Podium

- 6+** Smonta il (19+) Kit di estrazione della macchina.

Puoi eseguire due tipi di pulizia:

- **Pulizia del kit completo:** una volta estratto il kit dalla macchina, elimina i possibili residui di polpa e di buccia lavando con acqua e se necessario con sapone neutro. È anche possibile metterlo in lavastoviglie assemblato e farlo lavare.
- **Pulizia in profondità:** tutti i componenti sono smontabili individualmente per una pulizia più approfondita dei pezzi. Zumex raccomanda una pulizia profonda del kit di estrazione almeno una volta alla settimana secondo l'utilizzo della macchina.

- 7+** Smontare il Portalama Pro +Plus (9+) e procedere a pulirlo con attenzione per non ferirsi con il filo.
- 8+** Smontare il Sistema PulpOut Automatico (42+).
- 9+** Per la corretta pulizia di tutti i componenti del sistema, questi possono essere smontati e lavati individualmente. Puoi farlo manualmente o in lavastoviglie.

Considerazioni

- C** Pulizia degli elementi non smontabili: usa un panno con acqua tiepida e sapone, dopodiché risciacqua.
- D** Ricorda che ci sono pezzi che, anche se sono simili, si montano su lati diversi.
- E** Pezzi trasparenti e lavastoviglie: il lavaggio di questi pezzi nella lavastoviglie è possibile, anche se è necessario fare attenzione all'uso corretto di sapone, sale e brillantante per evitare che i pezzi perdano lucentezza e trasparenza.
- F** Nei modelli dotati di Rubinetto: Svita il Rubinetto dalla vaschetta, separa il pulsante dal corpo per effettuare una pulizia omogenea. Smonta i rubinetti per una pulizia approfondita come indicato nei paragrafi: Rubinetto SS (44), Rubinetto SS Pro +Plus (44+), Rubinetto Tank (55) di *Montaggio e smontaggio dei componenti in base al modello*.
- G** Nei modelli con Drain&Clean System, Zumex raccomanda di eseguire una pulizia all'interno del tubo, introducendo la spazzola lunga (**Fig. 7.1**) per l'apertura dell'alimentatore, almeno una volta alla settimana. Questo processo eviterà possibili inceppamenti nella zona.
- H** Che si tratti di un modello dotato di Drain&Clean System, o meno, è opportuno smontare il piatto giratorio dell'alimentatore, per la completa eliminazione di cera o rimasugli di sporizia.
- I** Per qualsiasi zona di difficile accesso, per la pulizia si consiglia di utilizzare la spazzola (**Fig. 1**) fornita con la macchina.



Accessori

Troverai un'ampia gamma di accessori con i quali poter configurare la tua macchina spremiagrumi a seconda delle tue esigenze

Kit di estrazione

Con questo accessorio potrai smontare il gruppo di spremitura in solo 10" e far si che la macchina funzioni con l'altro Kit.

*Accessorio disponibile per tutti i modelli Speed Pro +Plus. Include gruppo di spremitura.

Kit S

Per usare frutta di diametri da 45 mm a 67 mm.

Kit L

Per usare frutta di diametri da 75 mm a 95 mm.

Sistema DCS

Per spremere agrumi morbidi o troppo maturi.

Mobile Display

Per avere sempre le tue bottiglie di succo appena spremuto fresche e pronte da dar via. Disponibile in due misure.

Kit Controbanco

Gestione integrata degli scarti sul banco nel modo più pratico e pulito.

Set Portabottiglie

Ideale per contesti di self service dove si devono distribuire bottiglie, boccali, bicchieri. Include tre vassoi (disposti su 4 altezze). La loro sistemazione è integrata nel piedistallo e permette di trasportare tutto il set con facilità.

Zumex Pack




Permettono di imbottigliare bibite fresche per la loro commercializzazione, soprattutto il succo d'arancia appena spremuto. In 6 formati di bottiglie (da 1,5 l, 1 l, 75 cl, 50 cl, 33 cl e 25 cl) ed etichette personalizzabili.

Vedi sul sito Zumex www.zumex.com le informazioni sugli accessori che possono essere collegati alla tua macchina.



Rilevamento di guasti e consigli

Per eliminare un errore, premere il tasto **OK** brevemente, e verificare che sia stata corretta la causa del guasto, come indicato nella tabella sotto.

GUASTO 	POSSIBILE CAUSA 	SOLUZIONE 
01 Involucro	Non rileva la Sicurezza del carter	Verificare posizione carter Verificare posizione Uscita Laterale Verificare posizione calamita Verificare cavi collegati Verificare sensore carter
02 Vaschetta	Non rileva vaschetta	Verificare posizione vaschetta Verificare collegamento cavi Verificare sensore vaschetta
03 Alim. Motore	Il motore non funziona a una tensione corretta	Verificare Tensione di rete Verificare Scheda elettronica
04 Interruzione	Interruzione elettrica	Verificare cavo tensione di rete Verificare collegamento interno dei cavi
05 Sovracorrente	Il motore ha un sovrac consumo	Verificare ostacoli nel sistema di spremitura Verificare la durezza della frutta Verificare motore Verificare refrigerazione
06 No Galleggiante	Non rileva galleggiante	Installare correttamente il galleggiante Collocare serbatoio correttamente Verificare cavi Verificare sensore
07 Credito	Limite contatore raggiunto	Eliminare limite contatore Riprogrammare limite contatore
08 Limite residui	Limite contatore raggiunto	Premere "OK" prolungatamente fino a sentire un doppio "beep"

EU DECLARATION OF CONFORMITY

ZUMEX GROUP S.A., whose registered offices are situated at Polígono Industrial de Moncada III, C/ Moli, 2 - 46113 - Moncada, Valencia (Spain) does here by declare, under its sole responsibility, that the Zumex Speed Pro Basic, Zumex Speed Pro Self-Service, Zumex Speed Pro +Plus Self-Service, Zumex Speed Pro Self-Service Podium, Zumex Speed Pro +Plus Self-Service Podium, Zumex Speed Pro Tank Podium, Zumex Speed Pro +Plus Tank Podium, Zumex Speed Pro Cooler Podium juicer machine models conform to the following harmonised standards:

IEC 60335-1 + A1 + A2	2010 2013 2016	Safety of household electrical appliances and similar. Part 1: General requirements
IEC 60335-2-64 + A1	2002 2007	Safety of household and similar electrical appliances. Part 2-64: Particular requirements for commercial electric kitchen machines
EN 62233	2008	Measurement methods for electromagnetic fields of household appliances and similar apparatus with regard to human exposure
CISPR 14-1 + A1 + A2	2005 2008 2011	Electromagnetic compatibility. Requirements for household appliances, electric tools and similar apparatus. Part 1: Emission
CISPR 14-2	2015	Electromagnetic compatibility. Requirements for household appliances, electric tools and similar apparatus. Part 2: Immunity - Product family standard
EN 61000-3-2	2014	Electromagnetic compatibility (EMC). Part 3-2: Limits. Limits for harmonic current emissions (equipment input current <= 16 A per phase)
EN 61000-3-3	2013	Electromagnetic compatibility (EMC) - Part 3-3: Limits. Limitation of voltage changes, voltage fluctuations and flicker in public low-voltage supply systems, for equipment with rated current <= 16 A per phase and not subject to conditional connection
NSF/ANSI 8	2012	National Sanitation Foundation. Commercial powered food preparation equipment
NSF/ANSI 51	2014	National Sanitation Foundation. Food equipment materials



Copying with the provisions of the European Directives set out below:

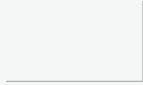
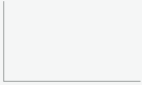
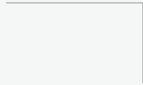
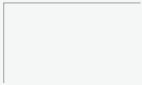
2006/42/EU	Security on machinery
2014/35/EU	Electrical equipment designed for use within certain voltage limits
2014/30/EU	Electromagnetic compatibility (EMC)
REG.(EC) N° 10/2011	Plastic materials and articles intended to come into contact with food
2011/65/EU	Restriction of the use of certain hazardous substances in electrical and electronic equipment (ROHS)
2012/19/EU	Waste electrical and electronic equipment (WEEE)
REG.(EC) N° 2023/2006	Good manufacturing practice for materials and articles intended to come into contact with food
REG.(EC) N° 1935/2004	Materials and articles intended to come into contact with food

Moncada, April 28, 2016



Maria José Ramón
Quality Manager

Warranty





Zumex Group, S.A. Headquarters

Polígono Ind. Montcada III
C/ Moli, 2 46113 Montcada, Valencia, Spain
Tel. +34 961 301 251 Fax. +34 961 301 255
zumex@zumex.com

Zumex USA Inc. USA & Canada

1573 NW 82nd Ave, Miami, FL 33126 USA
Tel. +1 305 591 0061 Fax. +1 305 591 0062
Technical Assistance:
1-877-ZUMEX-TA
(+1 877 986 3982)
zumexusa@zumex.com

Zumex México

Uxmal 616. Colonia Vértiz Narvarte
Delegación Benito Juárez
CP 03600 Ciudad de México, México
Tel. +52 (55) 5212-0619
zumexmexico@zumex.com

www.zumex.com

